

# SPACERS

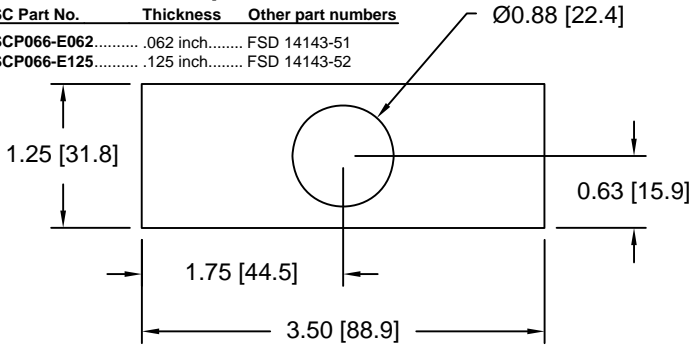
Drawings are not to scale

Metric spacers are black oxidized

Slots and holes are centered unless otherwise noted

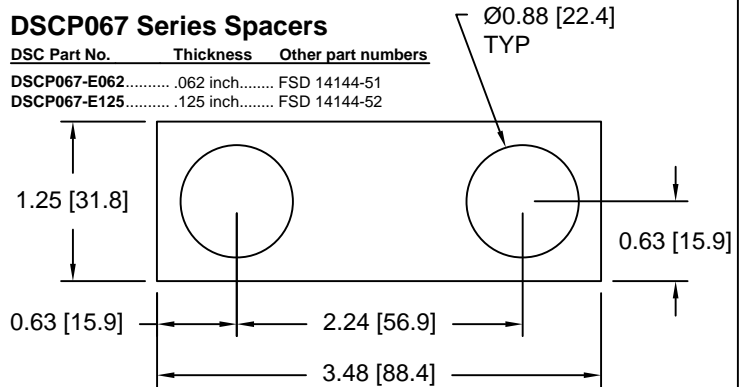
## DSCP066 Series Spacers

DSC Part No.	Thickness	Other part numbers
DSCP066-E062	.062 inch	FSD 14143-51
DSCP066-E125	.125 inch	FSD 14143-52



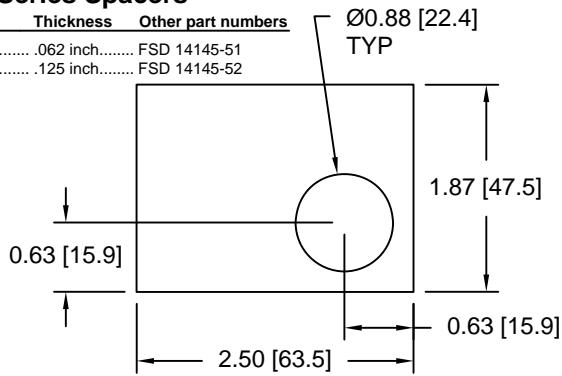
## DSCP067 Series Spacers

DSC Part No.	Thickness	Other part numbers
DSCP067-E062	.062 inch	FSD 14144-51
DSCP067-E125	.125 inch	FSD 14144-52



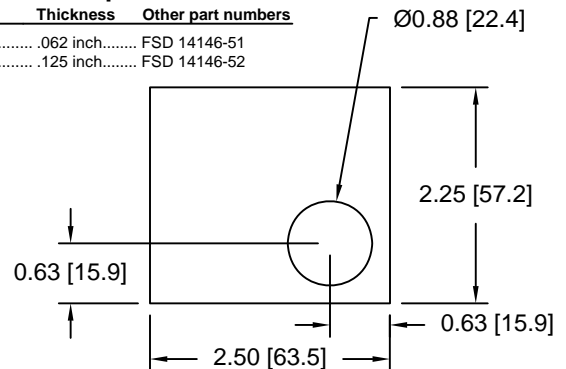
## DSCP068 Series Spacers

DSC Part No.	Thickness	Other part numbers
DSCP068-E062	.062 inch	FSD 14145-51
DSCP068-E125	.125 inch	FSD 14145-52



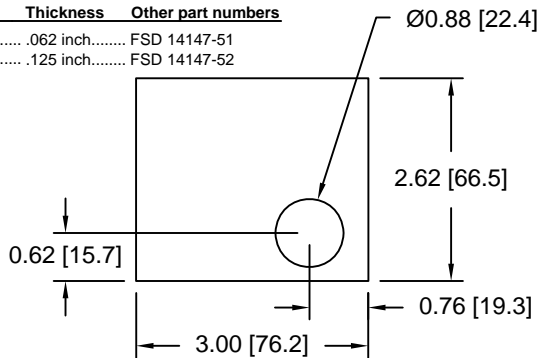
## DSCP069 Series Spacers

DSC Part No.	Thickness	Other part numbers
DSCP069-E062	.062 inch	FSD 14146-51
DSCP069-E125	.125 inch	FSD 14146-52



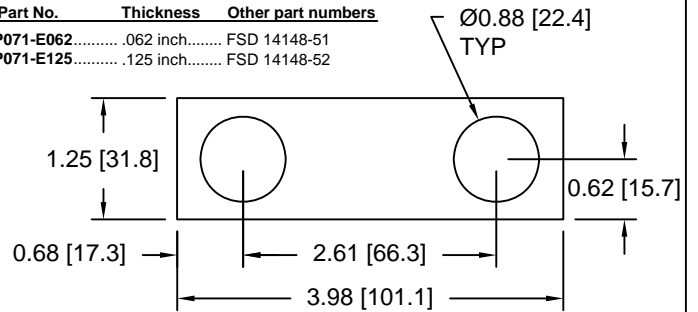
## DSCP070 Series Spacers

DSC Part No.	Thickness	Other part numbers
DSCP070-E062	.062 inch	FSD 14147-51
DSCP070-E125	.125 inch	FSD 14147-52



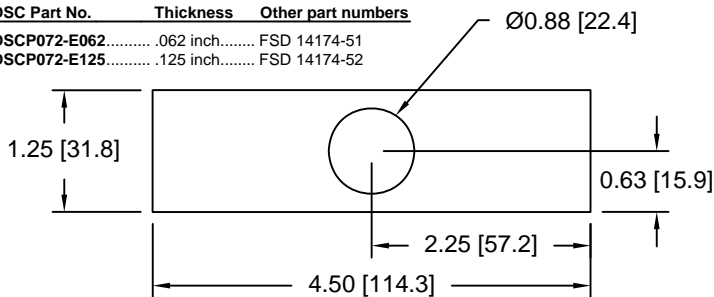
## DSCP071 Series Spacers

DSC Part No.	Thickness	Other part numbers
DSCP071-E062	.062 inch	FSD 14148-51
DSCP071-E125	.125 inch	FSD 14148-52



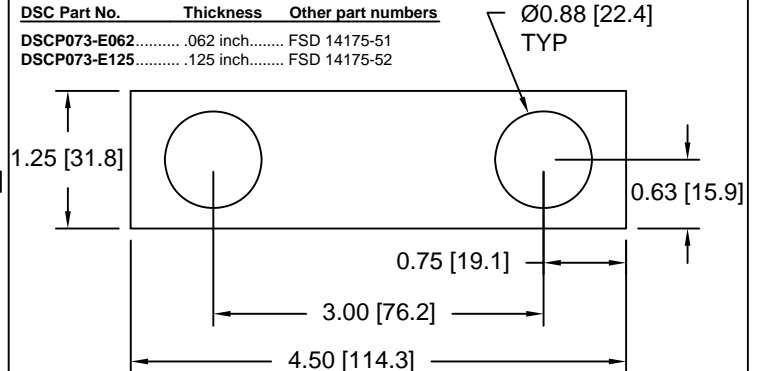
## DSCP072 Series Spacers

DSC Part No.	Thickness	Other part numbers
DSCP072-E062	.062 inch	FSD 14174-51
DSCP072-E125	.125 inch	FSD 14174-52



## DSCP073 Series Spacers

DSC Part No.	Thickness	Other part numbers
DSCP073-E062	.062 inch	FSD 14175-51
DSCP073-E125	.125 inch	FSD 14175-52



Douglas Stamping Company (248) 542-3940 FAX (248) 542-6342

<http://dougstampco.com> [sales@dougstampco.com](mailto:sales@dougstampco.com)