

DOUGLAS STAMPING COMPANY SHIM, SPACER, WASHER AND BUSHING PRODUCT CATALOG

Industry leading manufacturer and distributor

- . Shims, spacers and washers*
- . Full line of NAAMS assembly components*
- . Laser cutting and etching*
- . Water jet cutting*
- . Bending, stamping and machining*

The logo for Douglas Stamping Company (DSC) features the letters 'DSC' in a bold, blue, sans-serif font. The letters are set against a blue gradient background that transitions from a lighter blue on the left to a darker blue on the right. The 'D' and 'C' have a slight 3D effect with a shadow on the right side.

Douglas Stamping Company

TABLE OF CONTENTS

Design Considerations	3
Shims	4
Spacers	76
Insulating Bushings	123
Weld “D” Washers	124
Shim and Specialty Washers	126
Insulating Washers	130
Rough Locators	131
Index	134

***Douglas Stamping Company provides the full line of
NAAMS Global Standard Components!***

For all series and drawings, see <https://naamsstandards.org>

- [ASH and ASP Shims and Spacers](#) (pages 4-123 this catalog)
 - [Rough Locators](#) (page 131-133 this catalog)
 - [AAB, AHB and ARB Risers](#)
 - [ALB L-blocks](#)
 - [ACA Clamp Arms](#)
 - [APR, APS, AHB and ARP Locating Pins and Retainers](#)
 - [APS, APE, ARP, ARE, APQ Pin Packages](#)
 - [ASF and ASC Stop Blocks](#)
 - [ADP Dump Unit Pivot components](#)
- ⇒ Friendly, Prompt HUMAN service
 - ⇒ Massive Inventory
 - ⇒ Shim, Spacer and Washer Specialist
 - ⇒ Custom Laser, Water Jet and Die Cutting, Bending and Machining
 - ⇒ Prototype to Production
 - ⇒ Laser Engraving
 - ⇒ Close Tolerance Full Hard Shim Stock
 - ⇒ Reverse Engineering

DESIGN CONSIDERATIONS

Specials and Custom Items: The shims, spacers and washers in this catalog represent a great deal of Douglas Stamping's product line, but not all of it. We will make any shim, spacer or washer, in any size, shape and quantity and material you require, with minimal lead time.

Slots, Holes and Keyholes: Our shims are available with slots, "keyholes," and holes. Slotted shims are generally used in applications where complete disassembly during adjustment is not practical or desirable. Keyhole shims are designed to pass over a threaded fastener below the major diameter without falling out once the shim is lying flat. Most spacers are made with holes.

Shim Set Stackup Ratios: The shims we offer are available by the individual piece and in standard set ratios. These ratios are selected to permit stepping through the entire range of the set in a certain increment. For example, the standard 5mm - M507 set permits stepping from 0.25mm to 5.00mm in 0.25mm increments. Set ratios offered are those most commonly ordered. If your requirements differ, all shims are available by the individual piece. See SET CONFIGURATIONS below for an explanation of the difference between BULK and KITTED sets.

Part Numbers: We encourage the use of DSC part numbers to help reduce problems arising from the many inconsistencies and conflicts in the legacy standards, though original part numbers will continue to be recognized and indexed. If you are having difficulty identifying a part number, try the online cross-reference at <https://dougstampco.com/search>, or give us a call for assistance.

CAD Files: STEP format 3D CAD files are available for all our shims, spacers, and many other items. See our web site for availability: <https://dougstampco.com>

Materials and Tolerances: Unless otherwise specified, all our shims are made from full hard 1010 cold rolled #1 temper #2 finish steel. Spacers are made from cold drawn low carbon steel, precision ground to the specified thickness. Critical thickness tolerances are held within $\pm 0.03\text{mm}$, unless otherwise specified. (Imperial thicknesses are held within ± 0.002 inches.)

Weld Washers: "D" shaped weld washers offer a straight edge for welding in place after final locating of fasteners at assembly. These washers are also used in close clearance locations.

Drawing Conventions: Slots and holes are assumed to be centered unless otherwise noted. Dimensions for shims and spacers are in inches and in [millimeters] between the brackets. Drawings are not to scale.

Additional Notes: Shims with a thickness of 0.25mm are not usually plated, as they are easily damaged during processing. Shims with a thickness of 0.50mm having long, delicate finger are usually not plated for the same reason.

SET CONFIGURATIONS: BULK AND KITTED

All SHIM and SPACER series can be purchased as **bulk** or **kitted** sets.

Add a **K** to the end of the extension for **kitted** Sets. Kitted sets are packaged as individual sets, while bulk sets are shipped as a ratio of shim thicknesses.

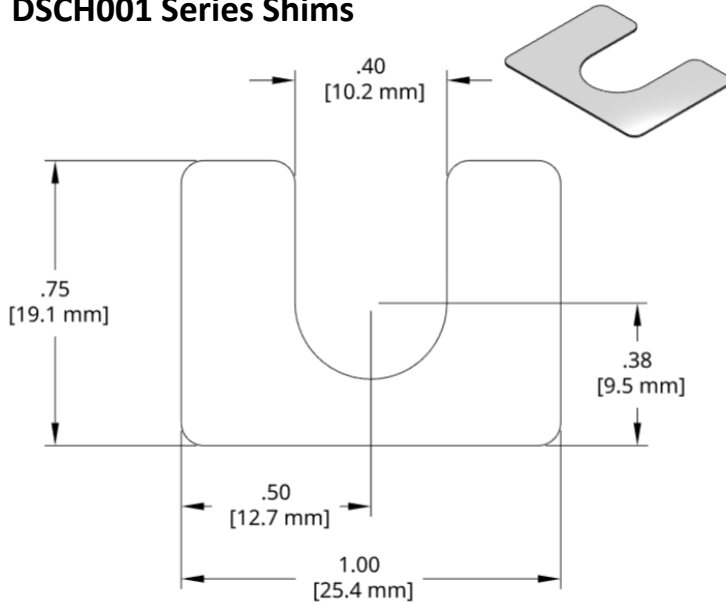
EXAMPLES:

Ordering **10 of DSCH001-M507** will be shipped in four bags:

- One bag with 10 pieces of DSCH001-M200
- One bag with 10 pieces of DSCH001-M100
- One bag with 30 pieces of DSCH001-M050
- One bag with 20 pieces of DSCH001-M025

Ordering **10 of DSCH001-M507K** will be shipped in ten individually bagged 5.0mm thick shim sets containing the correct ratio of shims.

DSCH001 Series Shims



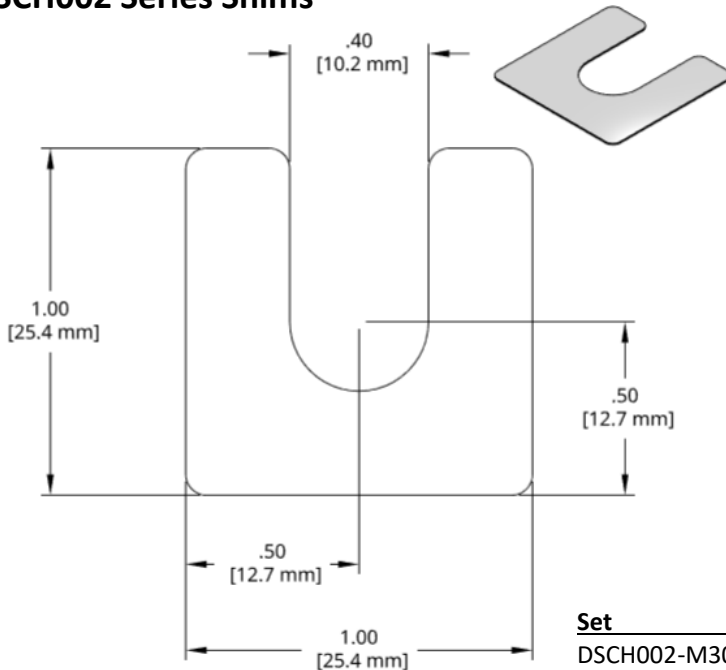
Individual Shim	Thickness
DSCH001-M025	.25 mm
DSCH001-M050	.50 mm
DSCH001-M100	1.00 mm
DSCH001-M200	2.00 mm
DSCH001-E015	.015 inch
DSCH001-E032	.032 inch
DSCH001-E062	.062 inch

Full Hard 1010 steel shim stock. Black Oxide finish on -M050, -M100 and -M200 thickness shims.

Add a **K** to the end of the Bulk Set number for assembled (kitted) sets.

Bulk Set	Thick	Set Includes
DSCH001-M305	3.0mm	(0) 2.00mm, (2) 1.00mm, (1) .50mm, (2) .25mm
DSCH001-M454	4.5mm	(1) 2.00mm, (2) 1.00mm, (1) .50mm, (0) .25mm
DSCH001-M505	5.0mm	(1) 2.00mm, (2) 1.00mm, (2) .50mm, (0) .25mm
DSCH001-M506	5.0mm	(1) 2.00mm, (2) 1.00mm, (1) .50mm, (2) .25mm
DSCH001-M507	5.0mm	(1) 2.00mm, (1) 1.00mm, (3) .50mm, (2) .25mm
DSCH001-M605	6.0mm	(2) 2.00mm, (1) 1.00mm, (2) .50mm, (0) .25mm
DSCH001-M706	7.0mm	(2) 2.00mm, (2) 1.00mm, (2) .50mm, (0) .25mm
DSCH001-E255	.25 inch	(3) 0.062in, (2) 0.032in

DSCH002 Series Shims



Individual Shims	Thickness
DSCH002-M025	.25 mm
DSCH002-M050	.50 mm
DSCH002-M100	1.00 mm
DSCH002-M200	2.00 mm
DSCH002-E015	.015 inch
DSCH002-E032	.032 inch
DSCH002-E062	.062 inch

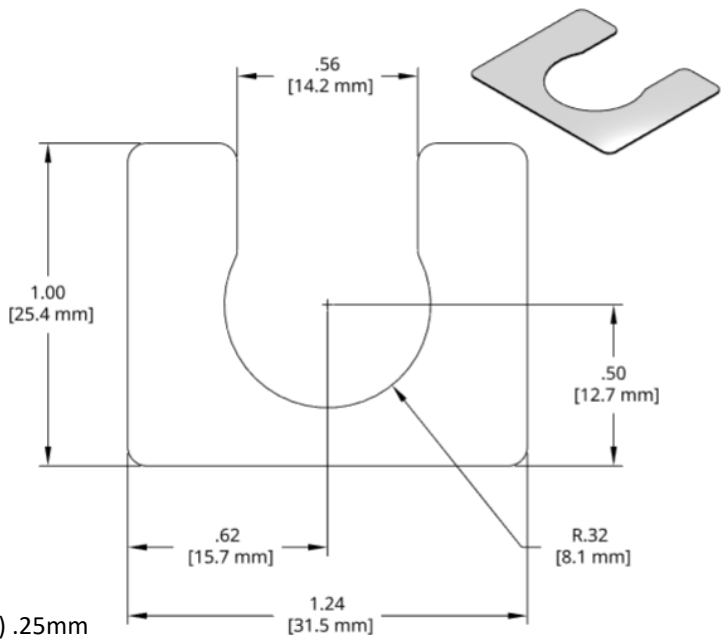
Full Hard 1010 steel shim stock. Black Oxide finish on -M050, -M100 and -M200 thickness shims.

Add a **K** to the end of the Bulk Set number for assembled (kitted) sets.

Set	Thick	Set Includes
DSCH002-M305	3.0mm	(0) 2.00mm, (2) 1.00mm, (1) .50mm, (2) .25mm
DSCH002-M454	4.5mm	(1) 2.00mm, (2) 1.00mm, (1) .50mm, (0) .25mm
DSCH002-M505	5.0mm	(1) 2.00mm, (2) 1.00mm, (2) .50mm, (0) .25mm
DSCH002-M506	5.0mm	(1) 2.00mm, (2) 1.00mm, (1) .50mm, (2) .25mm
DSCH002-M507	5.0mm	(1) 2.00mm, (1) 1.00mm, (3) .50mm, (2) .25mm
DSCH002-M605	6.0mm	(2) 2.00mm, (1) 1.00mm, (2) .50mm, (0) .25mm
DSCH002-M706	7.0mm	(2) 2.00mm, (2) 1.00mm, (2) .50mm, (0) .25mm
DSCH002-E255	.25 inch	(3) 0.062in, (2) 0.032in

DSCH003 Series Shims

Individual Shim	Thickness
DSCH003-M025	.25 mm
DSCH003-M050	.50 mm
DSCH003-M100	1.00 mm
DSCH003-M200	2.00 mm
DSCH003-E015	.015 inch
DSCH003-E032	.032 inch
DSCH003-E062	.062 inch



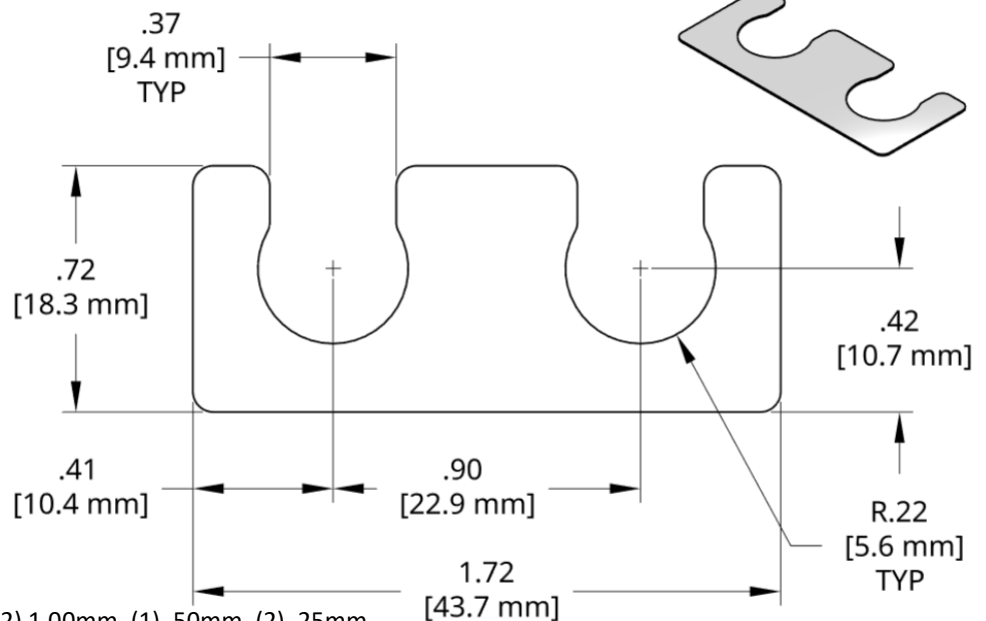
Bulk Set	Thick	Set Includes
DSCH003-M305	3.0mm	(0) 2.00mm, (2) 1.00mm, (1) .50mm, (2) .25mm
DSCH003-M454	4.5mm	(1) 2.00mm, (2) 1.00mm, (1) .50mm, (0) .25mm
DSCH003-M505	5.0mm	(1) 2.00mm, (2) 1.00mm, (2) .50mm, (0) .25mm
DSCH003-M506	5.0mm	(1) 2.00mm, (2) 1.00mm, (1) .50mm, (2) .25mm
DSCH003-M507	5.0mm	(1) 2.00mm, (1) 1.00mm, (3) .50mm, (2) .25mm
DSCH003-M605	6.0mm	(2) 2.00mm, (1) 1.00mm, (2) .50mm, (0) .25mm
DSCH003-M706	7.0mm	(2) 2.00mm, (2) 1.00mm, (2) .50mm, (0) .25mm
DSCH003-E255	.25 inch	(3) 0.062in, (2) 0.032in

Full Hard 1010 steel shim stock. Black Oxide finish on -M050, -M100 and -M200 thickness shims.

Add a **K** to the end of the Bulk Set number for assembled (kitted) sets.

DSCH004 Series Shims

Individual Shim	Thickness
DSCH004-M025	.25 mm
DSCH004-M050	.50 mm
DSCH004-M100	1.00 mm
DSCH004-M200	2.00 mm
DSCH004-E015	.015 inch
DSCH004-E032	.032 inch
DSCH004-E062	.062 inch

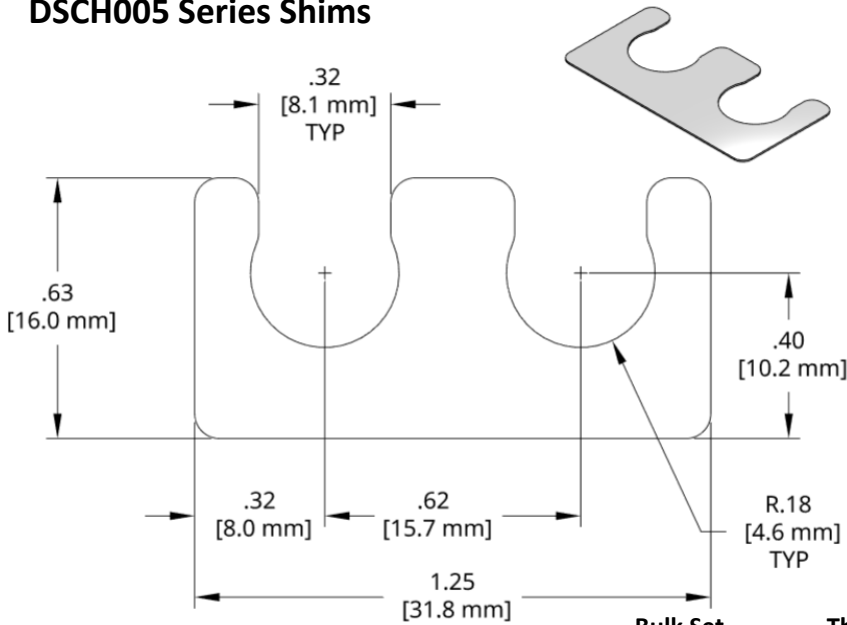


Bulk Set	Thick	Set Includes
DSCH004-M305	3.0mm	(0) 2.00mm, (2) 1.00mm, (1) .50mm, (2) .25mm
DSCH004-M454	4.5mm	(1) 2.00mm, (2) 1.00mm, (1) .50mm, (0) .25mm
DSCH004-M505	5.0mm	(1) 2.00mm, (2) 1.00mm, (2) .50mm, (0) .25mm
DSCH004-M506	5.0mm	(1) 2.00mm, (2) 1.00mm, (1) .50mm, (2) .25mm
DSCH004-M507	5.0mm	(1) 2.00mm, (1) 1.00mm, (3) .50mm, (2) .25mm
DSCH004-M605	6.0mm	(2) 2.00mm, (1) 1.00mm, (2) .50mm, (0) .25mm
DSCH004-M706	7.0mm	(2) 2.00mm, (2) 1.00mm, (2) .50mm, (0) .25mm
DSCH004-E255	.25 inch	(3) 0.062in, (2) 0.032in

Full Hard 1010 steel shim stock. Black Oxide finish on -M050, -M100 and -M200 thickness shims.

Add a **K** to the end of the Bulk Set number for assembled (kitted) sets.

DSCH005 Series Shims



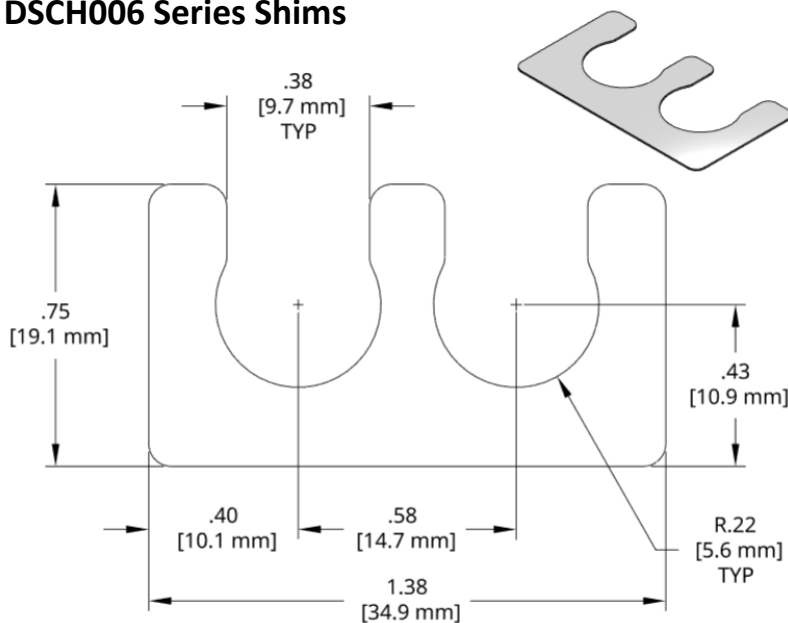
Individual Shim	Thickness
DSCH005-M025	.25 mm
DSCH005-M050	.50 mm
DSCH005-M100	1.00 mm
DSCH005-M200	2.00 mm
DSCH005-E015	.015 inch
DSCH005-E032	.032 inch
DSCH005-E062	.062 inch

Bulk Set	Thick	Set Includes
DSCH005-M305	3.0mm	(0) 2.00mm, (2) 1.00mm, (1) .50mm, (2) .25mm
DSCH005-M454	4.5mm	(1) 2.00mm, (2) 1.00mm, (1) .50mm, (0) .25mm
DSCH005-M505	5.0mm	(1) 2.00mm, (2) 1.00mm, (2) .50mm, (0) .25mm
DSCH005-M506	5.0mm	(1) 2.00mm, (2) 1.00mm, (1) .50mm, (2) .25mm
DSCH005-M507	5.0mm	(1) 2.00mm, (1) 1.00mm, (3) .50mm, (2) .25mm
DSCH005-M605	6.0mm	(2) 2.00mm, (1) 1.00mm, (2) .50mm, (0) .25mm
DSCH005-M706	7.0mm	(2) 2.00mm, (2) 1.00mm, (2) .50mm, (0) .25mm
DSCH005-E255	.25 inch	(3) 0.062in, (2) 0.032in

Full Hard 1010 steel shim stock. Black Oxide finish on -M050, -M100 and -M200 thickness shims.

Add a **K** to the end of the Bulk Set number for assembled (kitted) sets.

DSCH006 Series Shims



Individual Shims	Thickness
DSCH006-M025	.25 mm
DSCH006-M050	.50 mm
DSCH006-M100	1.00 mm
DSCH006-M200	2.00 mm
DSCH006-E015	.015 inch
DSCH006-E032	.032 inch
DSCH006-E062	.062 inch

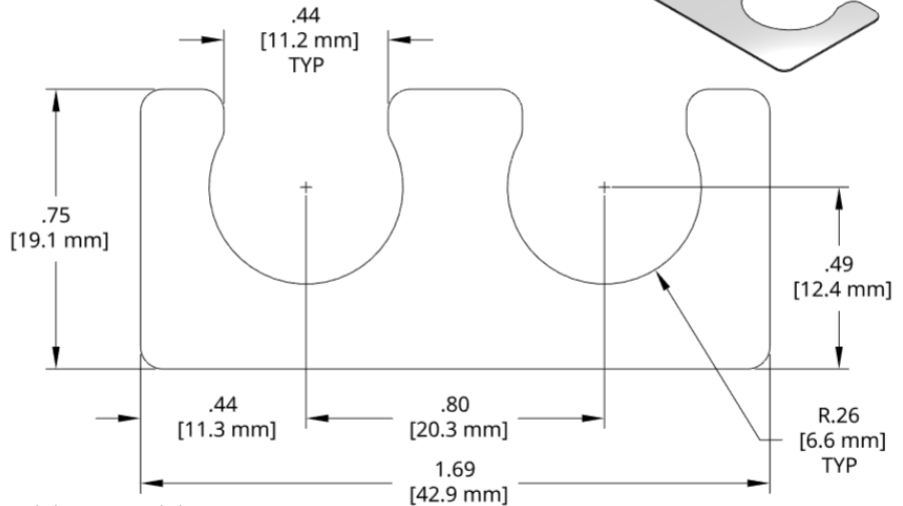
Set	Thick	Set Includes
DSCH006-M305	3.0mm	(0) 2.00mm, (2) 1.00mm, (1) .50mm, (2) .25mm
DSCH006-M454	4.5mm	(1) 2.00mm, (2) 1.00mm, (1) .50mm, (0) .25mm
DSCH006-M505	5.0mm	(1) 2.00mm, (2) 1.00mm, (2) .50mm, (0) .25mm
DSCH006-M506	5.0mm	(1) 2.00mm, (2) 1.00mm, (1) .50mm, (2) .25mm
DSCH006-M507	5.0mm	(1) 2.00mm, (1) 1.00mm, (3) .50mm, (2) .25mm
DSCH006-M605	6.0mm	(2) 2.00mm, (1) 1.00mm, (2) .50mm, (0) .25mm
DSCH006-M706	7.0mm	(2) 2.00mm, (2) 1.00mm, (2) .50mm, (0) .25mm
DSCH006-E255	.25 inch	(3) 0.062in, (2) 0.032in

Full Hard 1010 steel shim stock. Black Oxide finish on -M050, -M100 and -M200 thickness shims.

Add a **K** to the end of the Bulk Set number for assembled (kitted) sets.

DSCH007 Series Shims

Individual Shim	Thickness
DSCH007-M025	.25 mm
DSCH007-M050	.50 mm
DSCH007-M100	1.00 mm
DSCH007-M200	2.00 mm
DSCH007-E015	.015 inch
DSCH007-E032	.032 inch
DSCH007-E062	.062 inch



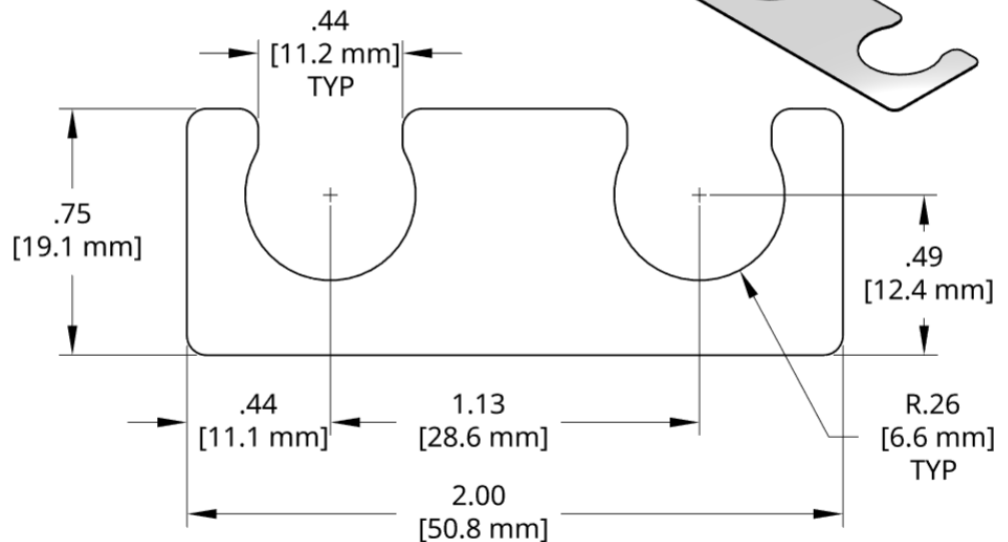
Full Hard 1010 steel shim stock. Black Oxide finish on -M050, -M100 and -M200 thickness shims.

Add a **K** to the end of the Bulk Set number for assembled (kitted) sets.

Bulk Set	Thick	Set Includes
DSCH007-M305	3.0mm	(0) 2.00mm, (2) 1.00mm, (1) .50mm, (2) .25mm
DSCH007-M454	4.5mm	(1) 2.00mm, (2) 1.00mm, (1) .50mm, (0) .25mm
DSCH007-M505	5.0mm	(1) 2.00mm, (2) 1.00mm, (2) .50mm, (0) .25mm
DSCH007-M506	5.0mm	(1) 2.00mm, (2) 1.00mm, (1) .50mm, (2) .25mm
DSCH007-M507	5.0mm	(1) 2.00mm, (1) 1.00mm, (3) .50mm, (2) .25mm
DSCH007-M605	6.0mm	(2) 2.00mm, (1) 1.00mm, (2) .50mm, (0) .25mm
DSCH007-M706	7.0mm	(2) 2.00mm, (2) 1.00mm, (2) .50mm, (0) .25mm
DSCH007-E255	.25 inch	(3) 0.062in, (2) 0.032in

DSCH008 Series Shims

Individual Shim	Thickness
DSCH008-M025	.25 mm
DSCH008-M050	.50 mm
DSCH008-M100	1.00 mm
DSCH008-M200	2.00 mm
DSCH008-E015	.015 inch
DSCH008-E032	.032 inch
DSCH008-E062	.062 inch



Full Hard 1010 steel shim stock. Black Oxide finish on -M050, -M100 and -M200 thickness shims.

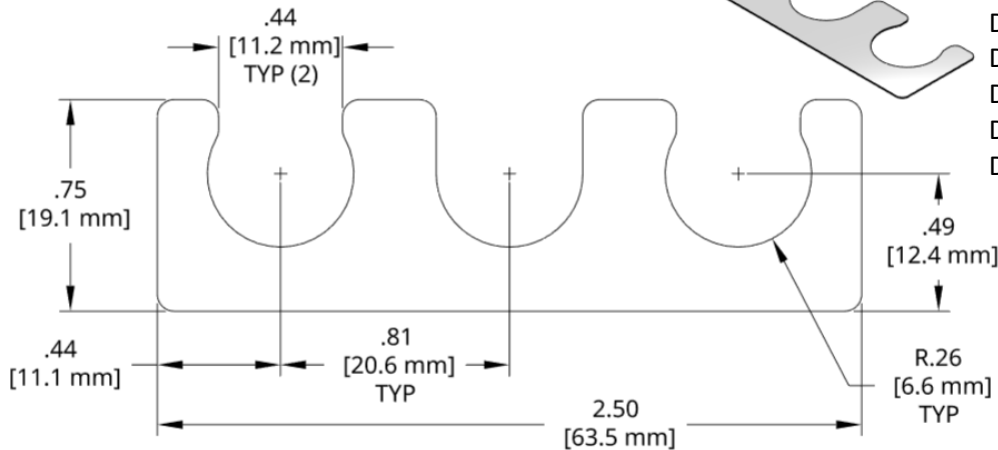
Add a **K** to the end of the Bulk Set number for assembled (kitted) sets.

Bulk Set	Thick	Set Includes
DSCH008-M305	3.0mm	(0) 2.00mm, (2) 1.00mm, (1) .50mm, (2) .25mm
DSCH008-M454	4.5mm	(1) 2.00mm, (2) 1.00mm, (1) .50mm, (0) .25mm
DSCH008-M505	5.0mm	(1) 2.00mm, (2) 1.00mm, (2) .50mm, (0) .25mm
DSCH008-M506	5.0mm	(1) 2.00mm, (2) 1.00mm, (1) .50mm, (2) .25mm
DSCH008-M507	5.0mm	(1) 2.00mm, (1) 1.00mm, (3) .50mm, (2) .25mm
DSCH008-M605	6.0mm	(2) 2.00mm, (1) 1.00mm, (2) .50mm, (0) .25mm
DSCH008-M706	7.0mm	(2) 2.00mm, (2) 1.00mm, (2) .50mm, (0) .25mm
DSCH008-E255	.25 inch	(3) 0.062in, (2) 0.032in

DSCH009 Series Shims

Individual Shim **Thickness**

DSCH009-M025	.25 mm
DSCH009-M050	.50 mm
DSCH009-M100	1.00 mm
DSCH009-M200	2.00 mm
DSCH009-E015	.015 inch
DSCH009-E032	.032 inch
DSCH009-E062	.062 inch

**Bulk Set** **Thick** **Set Includes**

DSCH009-M305	3.0mm	(0) 2.00mm, (2) 1.00mm, (1) .50mm, (2) .25mm
DSCH009-M454	4.5mm	(1) 2.00mm, (2) 1.00mm, (1) .50mm, (0) .25mm
DSCH009-M505	5.0mm	(1) 2.00mm, (2) 1.00mm, (2) .50mm, (0) .25mm
DSCH009-M506	5.0mm	(1) 2.00mm, (2) 1.00mm, (1) .50mm, (2) .25mm
DSCH009-M507	5.0mm	(1) 2.00mm, (1) 1.00mm, (3) .50mm, (2) .25mm
DSCH009-M605	6.0mm	(2) 2.00mm, (1) 1.00mm, (2) .50mm, (0) .25mm
DSCH009-M706	7.0mm	(2) 2.00mm, (2) 1.00mm, (2) .50mm, (0) .25mm
DSCH009-E255	.25 inch	(3) 0.062in, (2) 0.032in

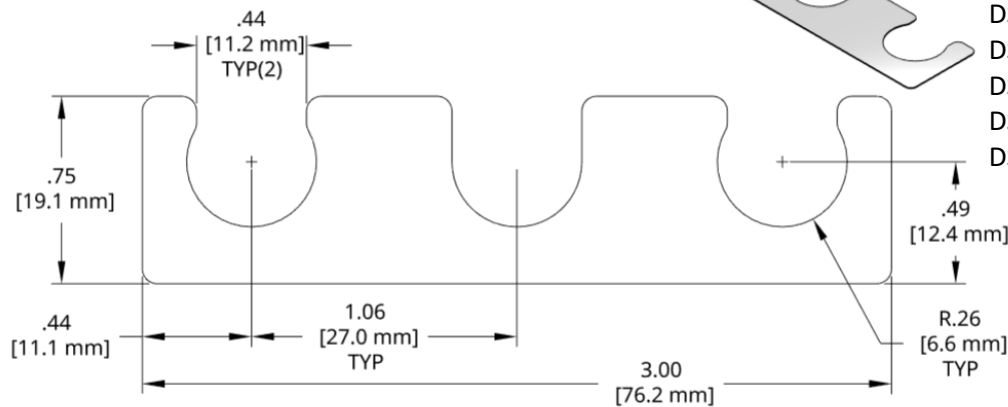
Full Hard 1010 steel shim stock. Black Oxide finish on -M050, -M100 and -M200 thickness shims.

Add a **K** to the end of the Bulk Set number for assembled (kitted) sets.

DSCH010 Series Shims

Individual Shims **Thickness**

DSCH010-M025	.25 mm
DSCH010-M050	.50 mm
DSCH010-M100	1.00 mm
DSCH010-M200	2.00 mm
DSCH010-E015	.015 inch
DSCH010-E032	.032 inch
DSCH010-E062	.062 inch

**Set** **Thick** **Set Includes**

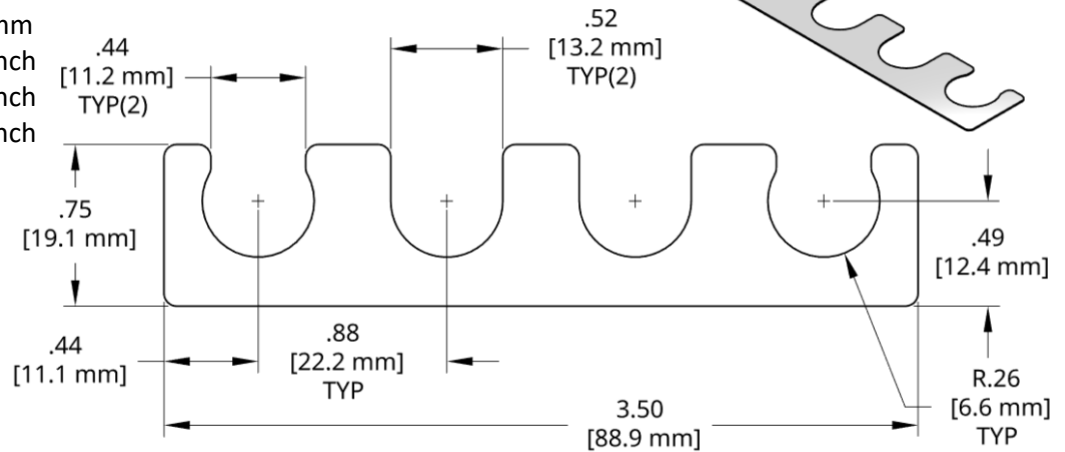
DSCH010-M305	3.0mm	(0) 2.00mm, (2) 1.00mm, (1) .50mm, (2) .25mm
DSCH010-M454	4.5mm	(1) 2.00mm, (2) 1.00mm, (1) .50mm, (0) .25mm
DSCH010-M505	5.0mm	(1) 2.00mm, (2) 1.00mm, (2) .50mm, (0) .25mm
DSCH010-M506	5.0mm	(1) 2.00mm, (2) 1.00mm, (1) .50mm, (2) .25mm
DSCH010-M507	5.0mm	(1) 2.00mm, (1) 1.00mm, (3) .50mm, (2) .25mm
DSCH010-M605	6.0mm	(2) 2.00mm, (1) 1.00mm, (2) .50mm, (0) .25mm
DSCH010-M706	7.0mm	(2) 2.00mm, (2) 1.00mm, (2) .50mm, (0) .25mm
DSCH010-E255	.25 inch	(3) 0.062in, (2) 0.032in

Full Hard 1010 steel shim stock. Black Oxide finish on -M050, -M100 and -M200 thickness shims.

Add a **K** to the end of the Bulk Set number for assembled (kitted) sets.

DSCH011 Series Shims

Individual Shim	Thickness
DSCH011-M025	.25 mm
DSCH011-M050	.50 mm
DSCH011-M100	1.00 mm
DSCH011-M200	2.00 mm
DSCH011-E015	.015 inch
DSCH011-E032	.032 inch
DSCH011-E062	.062 inch



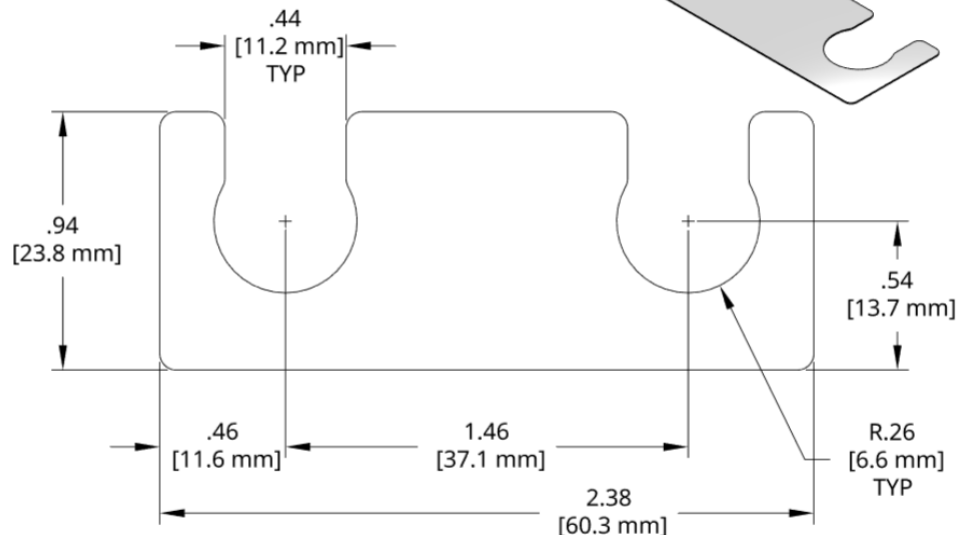
Bulk Set	Thick	Set Includes
DSCH011-M305	3.0mm	(0) 2.00mm, (2) 1.00mm, (1) .50mm, (2) .25mm
DSCH011-M454	4.5mm	(1) 2.00mm, (2) 1.00mm, (1) .50mm, (0) .25mm
DSCH011-M505	5.0mm	(1) 2.00mm, (2) 1.00mm, (2) .50mm, (0) .25mm
DSCH011-M506	5.0mm	(1) 2.00mm, (2) 1.00mm, (1) .50mm, (2) .25mm
DSCH011-M507	5.0mm	(1) 2.00mm, (1) 1.00mm, (3) .50mm, (2) .25mm
DSCH011-M605	6.0mm	(2) 2.00mm, (1) 1.00mm, (2) .50mm, (0) .25mm
DSCH011-M706	7.0mm	(2) 2.00mm, (2) 1.00mm, (2) .50mm, (0) .25mm
DSCH011-E255	.25 inch	(3) 0.062in, (2) 0.032in

Full Hard 1010 steel shim stock. Black Oxide finish on -M050, -M100 and -M200 thickness shims.

Add a **K** to the end of the Bulk Set number for assembled (kitted) sets.

DSCH012 Series Shims

Individual Shim	Thickness
DSCH012-M025	.25 mm
DSCH012-M050	.50 mm
DSCH012-M100	1.00 mm
DSCH012-M200	2.00 mm
DSCH012-E015	.015 inch
DSCH012-E032	.032 inch
DSCH012-E062	.062 inch

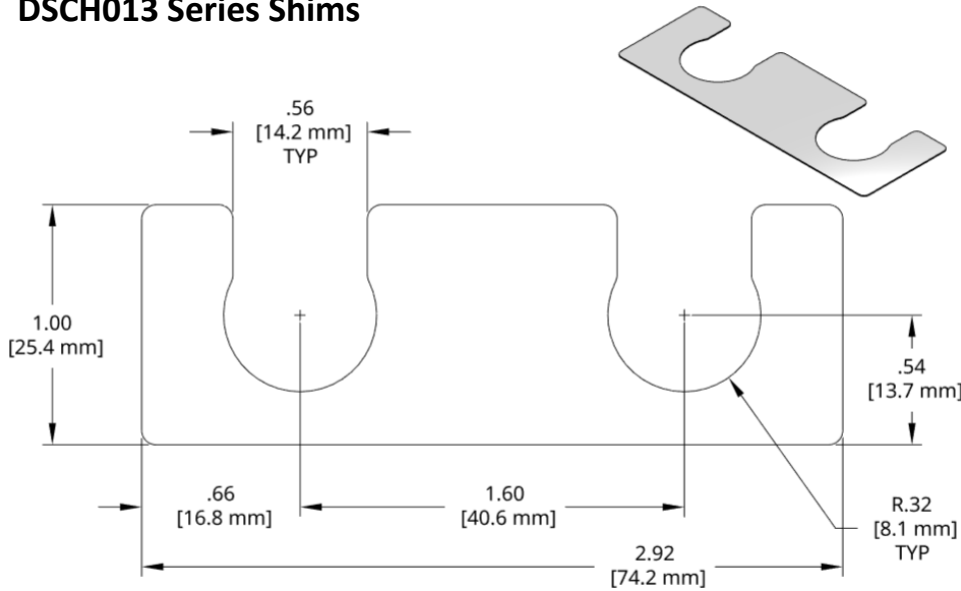


Bulk Set	Thick	Set Includes
DSCH012-M305	3.0mm	(0) 2.00mm, (2) 1.00mm, (1) .50mm, (2) .25mm
DSCH012-M454	4.5mm	(1) 2.00mm, (2) 1.00mm, (1) .50mm, (0) .25mm
DSCH012-M505	5.0mm	(1) 2.00mm, (2) 1.00mm, (2) .50mm, (0) .25mm
DSCH012-M506	5.0mm	(1) 2.00mm, (2) 1.00mm, (1) .50mm, (2) .25mm
DSCH012-M507	5.0mm	(1) 2.00mm, (1) 1.00mm, (3) .50mm, (2) .25mm
DSCH012-M605	6.0mm	(2) 2.00mm, (1) 1.00mm, (2) .50mm, (0) .25mm
DSCH012-M706	7.0mm	(2) 2.00mm, (2) 1.00mm, (2) .50mm, (0) .25mm
DSCH012-E255	.25 inch	(3) 0.062in, (2) 0.032in

Full Hard 1010 steel shim stock. Black Oxide finish on -M050, -M100 and -M200 thickness shims.

Add a **K** to the end of the Bulk Set number for assembled (kitted) sets.

DSCH013 Series Shims



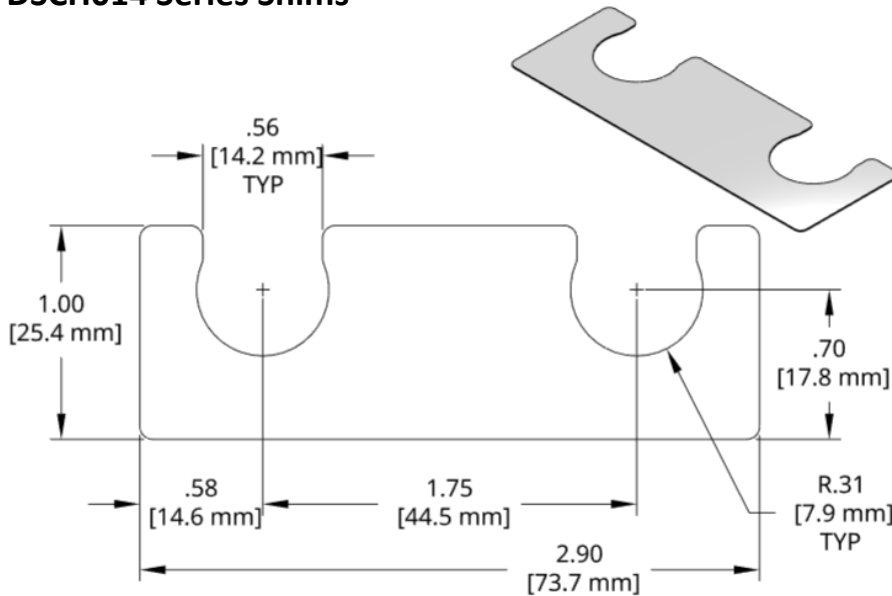
Individual Shim	Thickness
DSCH013-M025	.25 mm
DSCH013-M050	.50 mm
DSCH013-M100	1.00 mm
DSCH013-M200	2.00 mm
DSCH013-E015	.015 inch
DSCH013-E032	.032 inch
DSCH013-E062	.062 inch

Bulk Set	Thick	Set Includes
DSCH013-M305	3.0mm	(0) 2.00mm, (2) 1.00mm, (1) .50mm, (2) .25mm
DSCH013-M454	4.5mm	(1) 2.00mm, (2) 1.00mm, (1) .50mm, (0) .25mm
DSCH013-M505	5.0mm	(1) 2.00mm, (2) 1.00mm, (2) .50mm, (0) .25mm
DSCH013-M506	5.0mm	(1) 2.00mm, (2) 1.00mm, (1) .50mm, (2) .25mm
DSCH013-M507	5.0mm	(1) 2.00mm, (1) 1.00mm, (3) .50mm, (2) .25mm
DSCH013-M605	6.0mm	(2) 2.00mm, (1) 1.00mm, (2) .50mm, (0) .25mm
DSCH013-M706	7.0mm	(2) 2.00mm, (2) 1.00mm, (2) .50mm, (0) .25mm
DSCH013-E255	.25 inch	(3) 0.062in, (2) 0.032in

Full Hard 1010 steel shim stock. Black Oxide finish on -M050, -M100 and -M200 thickness shims.

Add a **K** to the end of the Bulk Set number for assembled (kitted) sets.

DSCH014 Series Shims



Individual Shims	Thickness
DSCH014-M025	.25 mm
DSCH014-M050	.50 mm
DSCH014-M100	1.00 mm
DSCH014-M200	2.00 mm
DSCH014-E015	.015 inch
DSCH014-E032	.032 inch
DSCH014-E062	.062 inch

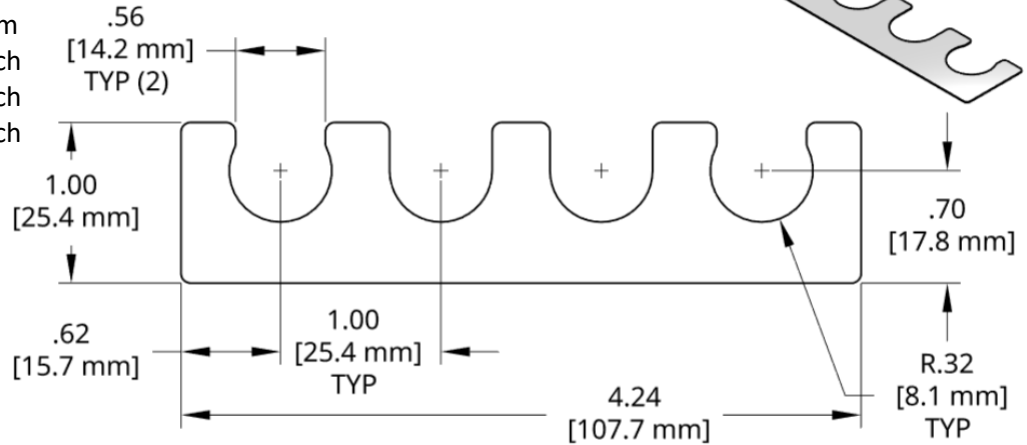
Set	Thick	Set Includes
DSCH014-M305	3.0mm	(0) 2.00mm, (2) 1.00mm, (1) .50mm, (2) .25mm
DSCH014-M454	4.5mm	(1) 2.00mm, (2) 1.00mm, (1) .50mm, (0) .25mm
DSCH014-M505	5.0mm	(1) 2.00mm, (2) 1.00mm, (2) .50mm, (0) .25mm
DSCH014-M506	5.0mm	(1) 2.00mm, (2) 1.00mm, (1) .50mm, (2) .25mm
DSCH014-M507	5.0mm	(1) 2.00mm, (1) 1.00mm, (3) .50mm, (2) .25mm
DSCH014-M605	6.0mm	(2) 2.00mm, (1) 1.00mm, (2) .50mm, (0) .25mm
DSCH014-M706	7.0mm	(2) 2.00mm, (2) 1.00mm, (2) .50mm, (0) .25mm
DSCH014-E255	.25 inch	(3) 0.062in, (2) 0.032in

Full Hard 1010 steel shim stock. Black Oxide finish on -M050, -M100 and -M200 thickness shims.

Add a **K** to the end of the Bulk Set number for assembled (kitted) sets.

DSCH015 Series Shims

Individual Shim	Thickness
DSCH015-M025	.25 mm
DSCH015-M050	.50 mm
DSCH015-M100	1.00 mm
DSCH015-M200	2.00 mm
DSCH015-E015	.015 inch
DSCH015-E032	.032 inch
DSCH015-E062	.062 inch



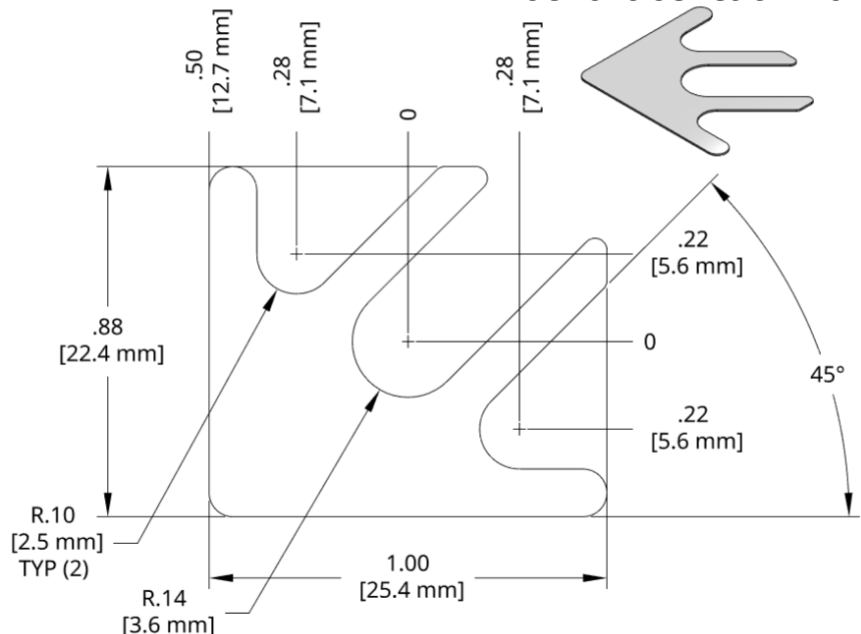
Bulk Set	Thick	Set Includes
DSCH015-M305	3.0mm	(0) 2.00mm, (2) 1.00mm, (1) .50mm, (2) .25mm
DSCH015-M454	4.5mm	(1) 2.00mm, (2) 1.00mm, (1) .50mm, (0) .25mm
DSCH015-M505	5.0mm	(1) 2.00mm, (2) 1.00mm, (2) .50mm, (0) .25mm
DSCH015-M506	5.0mm	(1) 2.00mm, (2) 1.00mm, (1) .50mm, (2) .25mm
DSCH015-M507	5.0mm	(1) 2.00mm, (1) 1.00mm, (3) .50mm, (2) .25mm
DSCH015-M605	6.0mm	(2) 2.00mm, (1) 1.00mm, (2) .50mm, (0) .25mm
DSCH015-M706	7.0mm	(2) 2.00mm, (2) 1.00mm, (2) .50mm, (0) .25mm
DSCH015-E255	.25 inch	(3) 0.062in, (2) 0.032in

Full Hard 1010 steel shim stock. Black Oxide finish on -M050, -M100 and -M200 thickness shims.

Add a **K** to the end of the Bulk Set number for assembled (kitted) sets.

DSCH016 Series Shims

Individual Shim	Thickness
DSCH016-M025	.25 mm
DSCH016-M050	.50 mm
DSCH016-M100	1.00 mm
DSCH016-M200	2.00 mm
DSCH016-E015	.015 inch
DSCH016-E032	.032 inch
DSCH016-E062	.062 inch

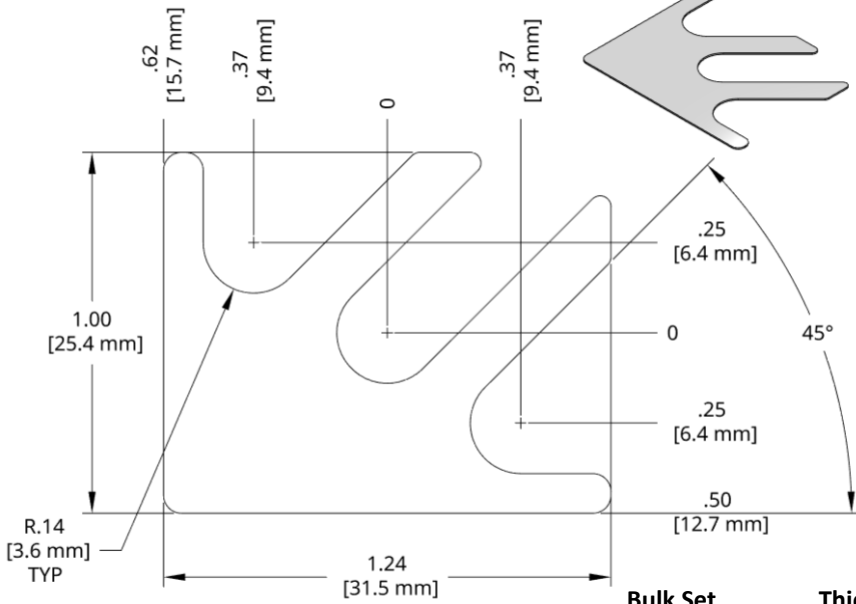


Bulk Set	Thick	Set Includes
DSCH016-M305	3.0mm	(0) 2.00mm, (2) 1.00mm, (1) .50mm, (2) .25mm
DSCH016-M454	4.5mm	(1) 2.00mm, (2) 1.00mm, (1) .50mm, (0) .25mm
DSCH016-M505	5.0mm	(1) 2.00mm, (2) 1.00mm, (2) .50mm, (0) .25mm
DSCH016-M506	5.0mm	(1) 2.00mm, (2) 1.00mm, (1) .50mm, (2) .25mm
DSCH016-M507	5.0mm	(1) 2.00mm, (1) 1.00mm, (3) .50mm, (2) .25mm
DSCH016-M605	6.0mm	(2) 2.00mm, (1) 1.00mm, (2) .50mm, (0) .25mm
DSCH016-M706	7.0mm	(2) 2.00mm, (2) 1.00mm, (2) .50mm, (0) .25mm
DSCH016-E255	.25 inch	(3) 0.062in, (2) 0.032in

Full Hard 1010 steel shim stock. Black Oxide finish on -M050, -M100 and -M200 thickness shims.

Add a **K** to the end of the Bulk Set number for assembled (kitted) sets.

DSCH017 Series Shims



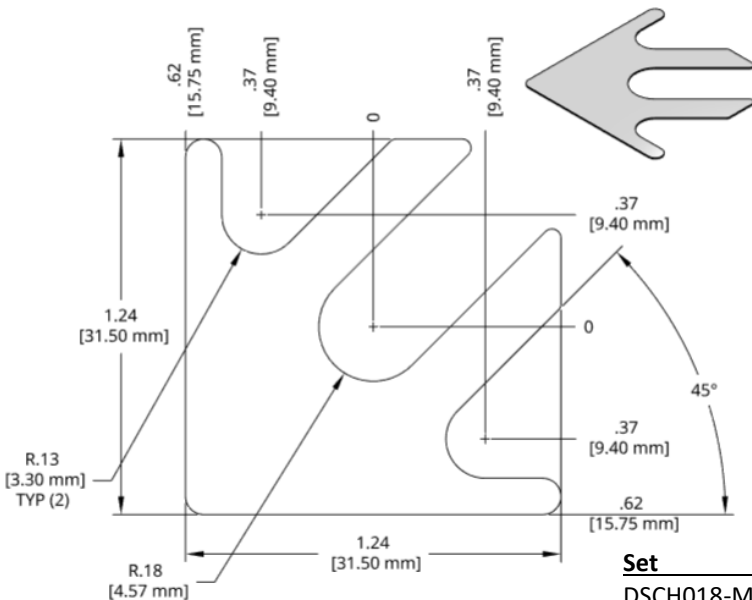
Individual Shim	Thickness
DSCH017-M025	.25 mm
DSCH017-M050	.50 mm
DSCH017-M100	1.00 mm
DSCH017-M200	2.00 mm
DSCH017-E015	.015 inch
DSCH017-E032	.032 inch
DSCH017-E062	.062 inch

Bulk Set	Thick	Set Includes
DSCH017-M305	3.0mm	(0) 2.00mm, (2) 1.00mm, (1) .50mm, (2) .25mm
DSCH017-M454	4.5mm	(1) 2.00mm, (2) 1.00mm, (1) .50mm, (0) .25mm
DSCH017-M505	5.0mm	(1) 2.00mm, (2) 1.00mm, (2) .50mm, (0) .25mm
DSCH017-M506	5.0mm	(1) 2.00mm, (2) 1.00mm, (1) .50mm, (2) .25mm
DSCH017-M507	5.0mm	(1) 2.00mm, (1) 1.00mm, (3) .50mm, (2) .25mm
DSCH017-M605	6.0mm	(2) 2.00mm, (1) 1.00mm, (2) .50mm, (0) .25mm
DSCH017-M706	7.0mm	(2) 2.00mm, (2) 1.00mm, (2) .50mm, (0) .25mm
DSCH017-E255	.25 inch	(3) 0.062in, (2) 0.032in

Full Hard 1010 steel shim stock. Black Oxide finish on -M050, -M100 and -M200 thickness shims.

Add a **K** to the end of the Bulk Set number for assembled (kitted) sets.

DSCH018 Series Shims



Individual Shims	Thickness
DSCH018-M025	.25 mm
DSCH018-M050	.50 mm
DSCH018-M100	1.00 mm
DSCH018-M200	2.00 mm
DSCH018-E015	.015 inch
DSCH018-E032	.032 inch
DSCH018-E062	.062 inch

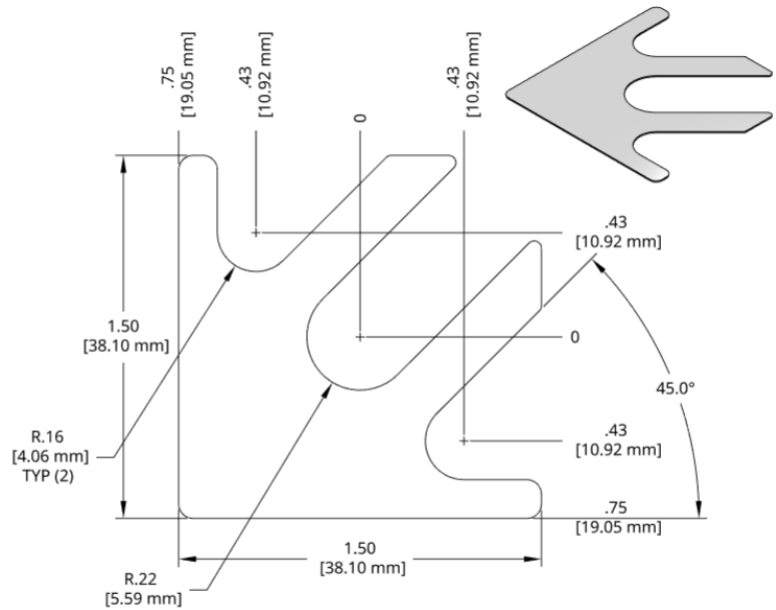
Set	Thick	Set Includes
DSCH018-M305	3.0mm	(0) 2.00mm, (2) 1.00mm, (1) .50mm, (2) .25mm
DSCH018-M454	4.5mm	(1) 2.00mm, (2) 1.00mm, (1) .50mm, (0) .25mm
DSCH018-M505	5.0mm	(1) 2.00mm, (2) 1.00mm, (2) .50mm, (0) .25mm
DSCH018-M506	5.0mm	(1) 2.00mm, (2) 1.00mm, (1) .50mm, (2) .25mm
DSCH018-M507	5.0mm	(1) 2.00mm, (1) 1.00mm, (3) .50mm, (2) .25mm
DSCH018-M605	6.0mm	(2) 2.00mm, (1) 1.00mm, (2) .50mm, (0) .25mm
DSCH018-M706	7.0mm	(2) 2.00mm, (2) 1.00mm, (2) .50mm, (0) .25mm
DSCH018-E255	.25 inch	(3) 0.062in, (2) 0.032in

Full Hard 1010 steel shim stock. Black Oxide finish on -M050, -M100 and -M200 thickness shims.

Add a **K** to the end of the Bulk Set number for assembled (kitted) sets.

DSCH019 Series Shims

Individual Shim	Thickness
DSCH019-M025	.25 mm
DSCH019-M050	.50 mm
DSCH019-M100	1.00 mm
DSCH019-M200	2.00 mm
DSCH019-E015	.015 inch
DSCH019-E032	.032 inch
DSCH019-E062	.062 inch



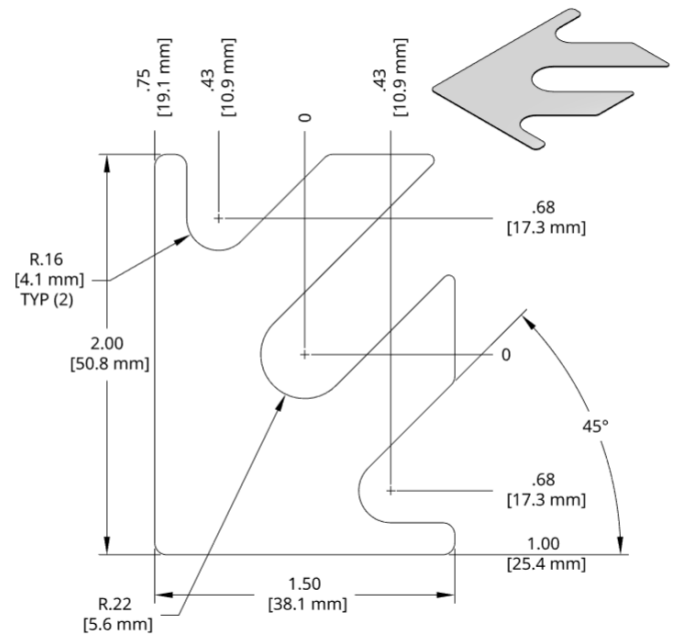
Bulk Set	Thick	Set Includes
DSCH019-M305	3.0mm	(0) 2.00mm, (2) 1.00mm, (1) .50mm, (2) .25mm
DSCH019-M454	4.5mm	(1) 2.00mm, (2) 1.00mm, (1) .50mm, (0) .25mm
DSCH019-M505	5.0mm	(1) 2.00mm, (2) 1.00mm, (2) .50mm, (0) .25mm
DSCH019-M506	5.0mm	(1) 2.00mm, (2) 1.00mm, (1) .50mm, (2) .25mm
DSCH019-M507	5.0mm	(1) 2.00mm, (1) 1.00mm, (3) .50mm, (2) .25mm
DSCH019-M605	6.0mm	(2) 2.00mm, (1) 1.00mm, (2) .50mm, (0) .25mm
DSCH019-M706	7.0mm	(2) 2.00mm, (2) 1.00mm, (2) .50mm, (0) .25mm
DSCH019-E255	.25 inch	(3) 0.062in, (2) 0.032in

Full Hard 1010 steel shim stock. Black Oxide finish on -M050, -M100 and -M200 thickness shims.

Add a **K** to the end of the Bulk Set number for assembled (kitted) sets.

DSCH020 Series Shims

Individual Shim	Thickness
DSCH020-M025	.25 mm
DSCH020-M050	.50 mm
DSCH020-M100	1.00 mm
DSCH020-M200	2.00 mm
DSCH020-E015	.015 inch
DSCH020-E032	.032 inch
DSCH020-E062	.062 inch



Bulk Set	Thick	Set Includes
DSCH020-M305	3.0mm	(0) 2.00mm, (2) 1.00mm, (1) .50mm, (2) .25mm
DSCH020-M454	4.5mm	(1) 2.00mm, (2) 1.00mm, (1) .50mm, (0) .25mm
DSCH020-M505	5.0mm	(1) 2.00mm, (2) 1.00mm, (2) .50mm, (0) .25mm
DSCH020-M506	5.0mm	(1) 2.00mm, (2) 1.00mm, (1) .50mm, (2) .25mm
DSCH020-M507	5.0mm	(1) 2.00mm, (1) 1.00mm, (3) .50mm, (2) .25mm
DSCH020-M605	6.0mm	(2) 2.00mm, (1) 1.00mm, (2) .50mm, (0) .25mm
DSCH020-M706	7.0mm	(2) 2.00mm, (2) 1.00mm, (2) .50mm, (0) .25mm
DSCH020-E255	.25 inch	(3) 0.062in, (2) 0.032in

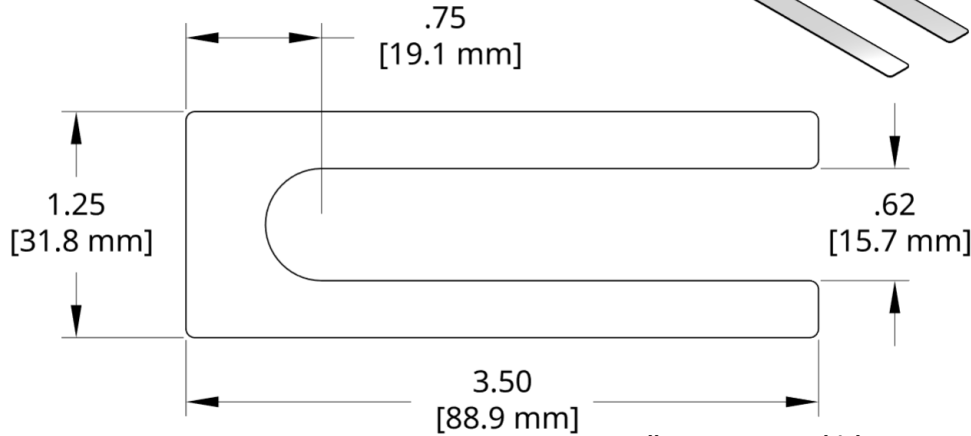
Full Hard 1010 steel shim stock. Black Oxide finish on -M050, -M100 and -M200 thickness shims.

Add a **K** to the end of the Bulk Set number for assembled (kitted) sets.

DSCH021 Series Shims

Individual Shim **Thickness**

DSCH021-M025	.25 mm
DSCH021-M050	.50 mm
DSCH021-M100	1.00 mm
DSCH021-M200	2.00 mm
DSCH021-E015	.015 inch
DSCH021-E032	.032 inch
DSCH021-E062	.062 inch

**Bulk Set** **Thick** **Set Includes**

DSCH021-M305	3.0mm	(0) 2.00mm, (2) 1.00mm, (1) .50mm, (2) .25mm
DSCH021-M454	4.5mm	(1) 2.00mm, (2) 1.00mm, (1) .50mm, (0) .25mm
DSCH021-M505	5.0mm	(1) 2.00mm, (2) 1.00mm, (2) .50mm, (0) .25mm
DSCH021-M506	5.0mm	(1) 2.00mm, (2) 1.00mm, (1) .50mm, (2) .25mm
DSCH021-M507	5.0mm	(1) 2.00mm, (1) 1.00mm, (3) .50mm, (2) .25mm
DSCH021-M605	6.0mm	(2) 2.00mm, (1) 1.00mm, (2) .50mm, (0) .25mm
DSCH021-M706	7.0mm	(2) 2.00mm, (2) 1.00mm, (2) .50mm, (0) .25mm
DSCH021-E255	.25 inch	(3) 0.062in, (2) 0.032in

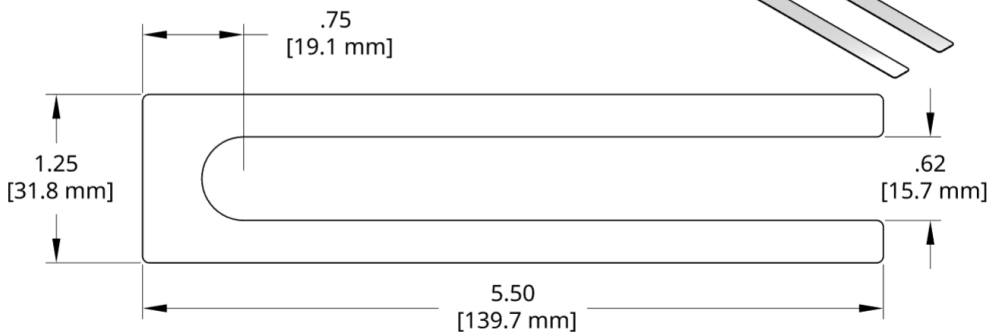
Full Hard 1010 steel shim stock. Black Oxide finish on -M050, -M100 and -M200 thickness shims.

Add a **K** to the end of the Bulk Set number for assembled (kitted) sets.

DSCH022 Series Shims

Individual Shims **Thickness**

DSCH022-M025	.25 mm
DSCH022-M050	.50 mm
DSCH022-M100	1.00 mm
DSCH022-M200	2.00 mm
DSCH022-E015	.015 inch
DSCH022-E032	.032 inch
DSCH022-E062	.062 inch

**Set** **Thick** **Set Includes**

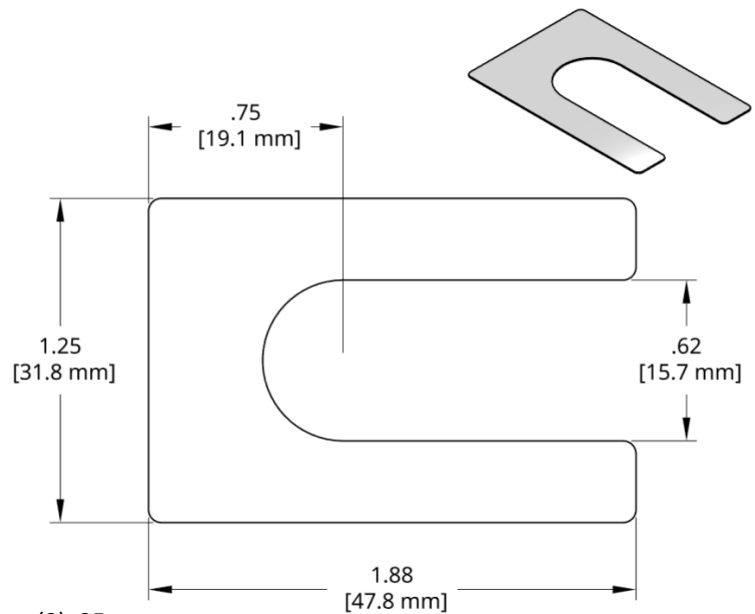
DSCH022-M305	3.0mm	(0) 2.00mm, (2) 1.00mm, (1) .50mm, (2) .25mm
DSCH022-M454	4.5mm	(1) 2.00mm, (2) 1.00mm, (1) .50mm, (0) .25mm
DSCH022-M505	5.0mm	(1) 2.00mm, (2) 1.00mm, (2) .50mm, (0) .25mm
DSCH022-M506	5.0mm	(1) 2.00mm, (2) 1.00mm, (1) .50mm, (2) .25mm
DSCH022-M507	5.0mm	(1) 2.00mm, (1) 1.00mm, (3) .50mm, (2) .25mm
DSCH022-M605	6.0mm	(2) 2.00mm, (1) 1.00mm, (2) .50mm, (0) .25mm
DSCH022-M706	7.0mm	(2) 2.00mm, (2) 1.00mm, (2) .50mm, (0) .25mm
DSCH022-E255	.25 inch	(3) 0.062in, (2) 0.032in

Full Hard 1010 steel shim stock. Black Oxide finish on -M050, -M100 and -M200 thickness shims.

Add a **K** to the end of the Bulk Set number for assembled (kitted) sets.

DSCH023 Series Shims

Individual Shim	Thickness
DSCH023-M025	.25 mm
DSCH023-M050	.50 mm
DSCH023-M100	1.00 mm
DSCH023-M200	2.00 mm
DSCH023-E015	.015 inch
DSCH023-E032	.032 inch
DSCH023-E062	.062 inch



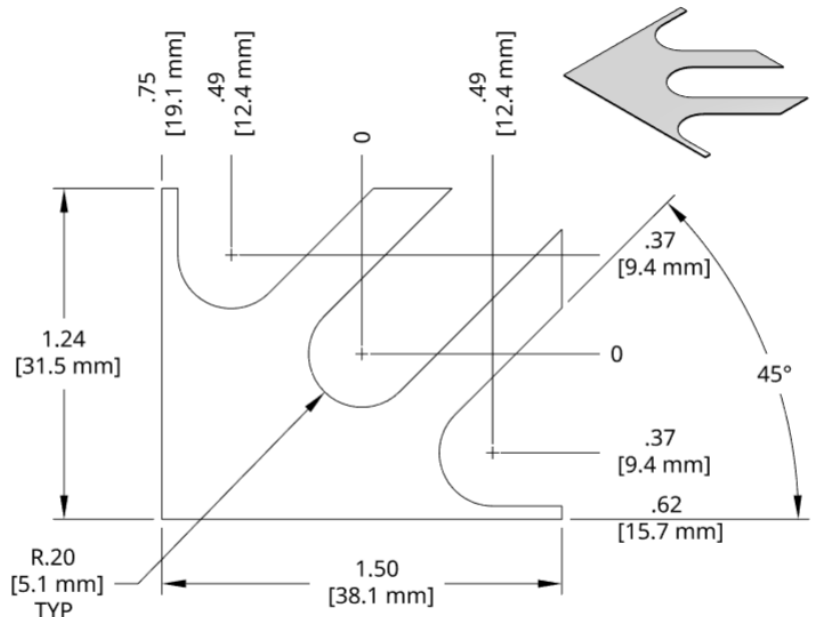
Bulk Set	Thick	Set Includes
DSCH023-M305	3.0mm	(0) 2.00mm, (2) 1.00mm, (1) .50mm, (2) .25mm
DSCH023-M454	4.5mm	(1) 2.00mm, (2) 1.00mm, (1) .50mm, (0) .25mm
DSCH023-M505	5.0mm	(1) 2.00mm, (2) 1.00mm, (2) .50mm, (0) .25mm
DSCH023-M506	5.0mm	(1) 2.00mm, (2) 1.00mm, (1) .50mm, (2) .25mm
DSCH023-M507	5.0mm	(1) 2.00mm, (1) 1.00mm, (3) .50mm, (2) .25mm
DSCH023-M605	6.0mm	(2) 2.00mm, (1) 1.00mm, (2) .50mm, (0) .25mm
DSCH023-M706	7.0mm	(2) 2.00mm, (2) 1.00mm, (2) .50mm, (0) .25mm
DSCH023-E255	.25 inch	(3) 0.062in, (2) 0.032in

Full Hard 1010 steel shim stock. Black Oxide finish on -M050, -M100 and -M200 thickness shims.

Add a **K** to the end of the Bulk Set number for assembled (kitted) sets.

DSCH024 Series Shims

Individual Shim	Thickness
DSCH024-M025	.25 mm
DSCH024-M050	.50 mm
DSCH024-M100	1.00 mm
DSCH024-M200	2.00 mm
DSCH024-E015	.015 inch
DSCH024-E032	.032 inch
DSCH024-E062	.062 inch

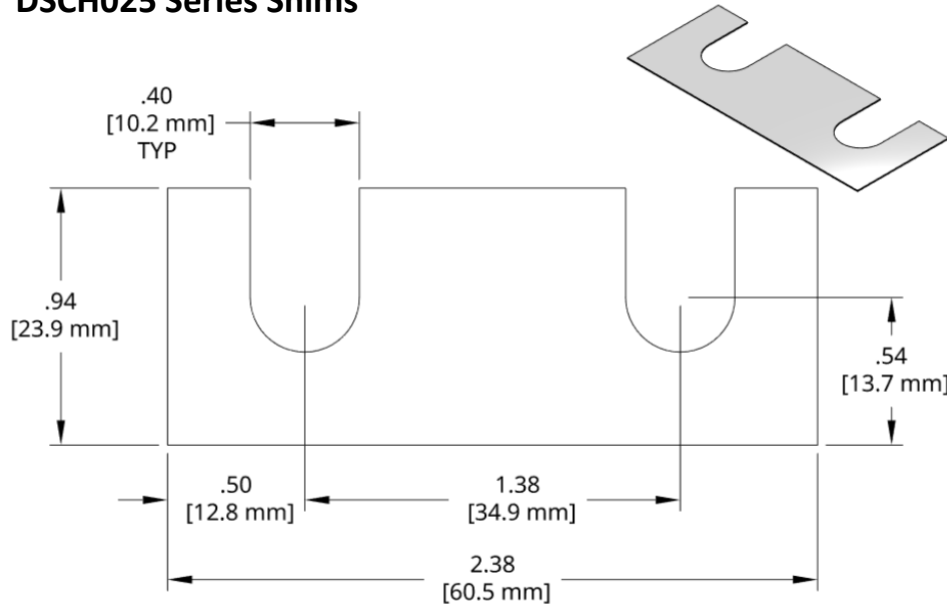


Bulk Set	Thick	Set Includes
DSCH024-M305	3.0mm	(0) 2.00mm, (2) 1.00mm, (1) .50mm, (2) .25mm
DSCH024-M454	4.5mm	(1) 2.00mm, (2) 1.00mm, (1) .50mm, (0) .25mm
DSCH024-M505	5.0mm	(1) 2.00mm, (2) 1.00mm, (2) .50mm, (0) .25mm
DSCH024-M506	5.0mm	(1) 2.00mm, (2) 1.00mm, (1) .50mm, (2) .25mm
DSCH024-M507	5.0mm	(1) 2.00mm, (1) 1.00mm, (3) .50mm, (2) .25mm
DSCH024-M605	6.0mm	(2) 2.00mm, (1) 1.00mm, (2) .50mm, (0) .25mm
DSCH024-M706	7.0mm	(2) 2.00mm, (2) 1.00mm, (2) .50mm, (0) .25mm
DSCH024-E255	.25 inch	(3) 0.062in, (2) 0.032in

Full Hard 1010 steel shim stock. Black Oxide finish on -M050, -M100 and -M200 thickness shims.

Add a **K** to the end of the Bulk Set number for assembled (kitted) sets.

DSCH025 Series Shims



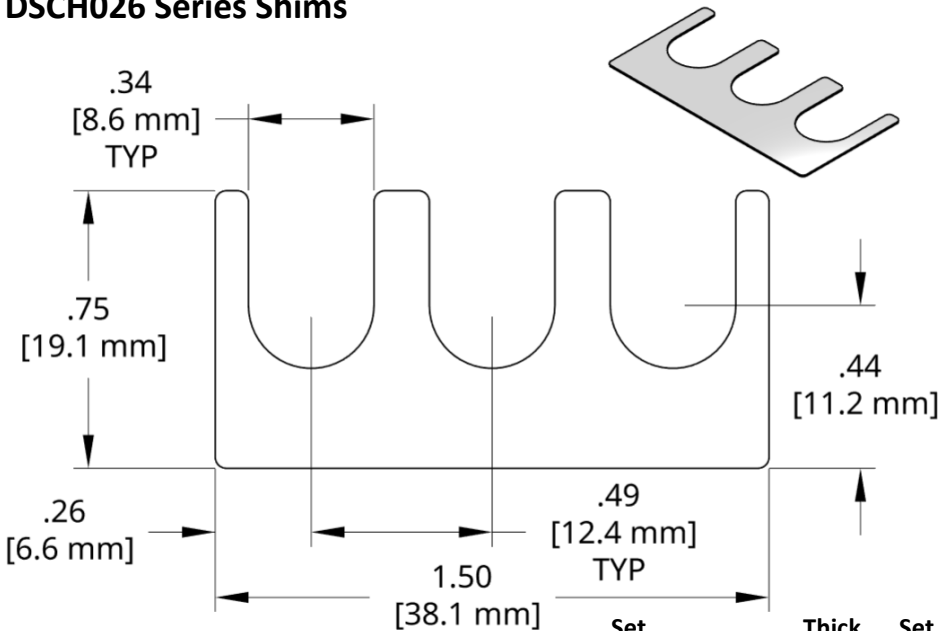
Individual Shim	Thickness
DSCH025-M025	.25 mm
DSCH025-M050	.50 mm
DSCH025-M100	1.00 mm
DSCH025-M200	2.00 mm
DSCH025-E015	.015 inch
DSCH025-E032	.032 inch
DSCH025-E062	.062 inch

Bulk Set	Thick	Set Includes
DSCH025-M305	3.0mm	(0) 2.00mm, (2) 1.00mm, (1) .50mm, (2) .25mm
DSCH025-M454	4.5mm	(1) 2.00mm, (2) 1.00mm, (1) .50mm, (0) .25mm
DSCH025-M505	5.0mm	(1) 2.00mm, (2) 1.00mm, (2) .50mm, (0) .25mm
DSCH025-M506	5.0mm	(1) 2.00mm, (2) 1.00mm, (1) .50mm, (2) .25mm
DSCH025-M507	5.0mm	(1) 2.00mm, (1) 1.00mm, (3) .50mm, (2) .25mm
DSCH025-M605	6.0mm	(2) 2.00mm, (1) 1.00mm, (2) .50mm, (0) .25mm
DSCH025-M706	7.0mm	(2) 2.00mm, (2) 1.00mm, (2) .50mm, (0) .25mm
DSCH025-E255	.25 inch	(3) 0.062in, (2) 0.032in

Full Hard 1010 steel shim stock. Black Oxide finish on -M050, -M100 and -M200 thickness shims.

Add a **K** to the end of the Bulk Set number for assembled (kitted) sets.

DSCH026 Series Shims



Individual Shims	Thickness
DSCH026-M025	.25 mm
DSCH026-M050	.50 mm
DSCH026-M100	1.00 mm
DSCH026-M200	2.00 mm
DSCH026-E015	.015 inch
DSCH026-E032	.032 inch
DSCH026-E062	.062 inch

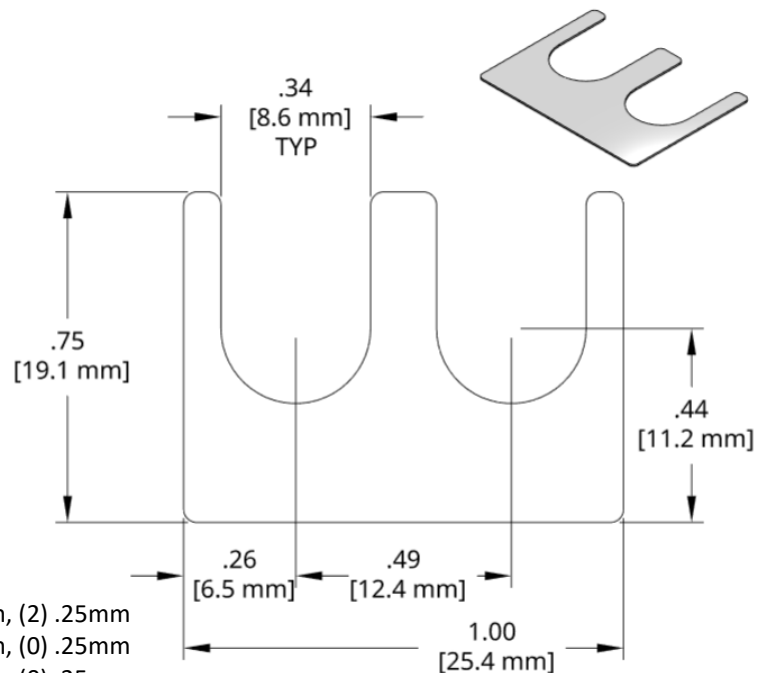
Set	Thick	Set Includes
DSCH026-M305	3.0mm	(0) 2.00mm, (2) 1.00mm, (1) .50mm, (2) .25mm
DSCH026-M454	4.5mm	(1) 2.00mm, (2) 1.00mm, (1) .50mm, (0) .25mm
DSCH026-M505	5.0mm	(1) 2.00mm, (2) 1.00mm, (2) .50mm, (0) .25mm
DSCH026-M506	5.0mm	(1) 2.00mm, (2) 1.00mm, (1) .50mm, (2) .25mm
DSCH026-M507	5.0mm	(1) 2.00mm, (1) 1.00mm, (3) .50mm, (2) .25mm
DSCH026-M605	6.0mm	(2) 2.00mm, (1) 1.00mm, (2) .50mm, (0) .25mm
DSCH026-M706	7.0mm	(2) 2.00mm, (2) 1.00mm, (2) .50mm, (0) .25mm
DSCH026-E255	.25 inch	(3) 0.062in, (2) 0.032in

Full Hard 1010 steel shim stock. Black Oxide finish on -M050, -M100 and -M200 thickness shims.

Add a **K** to the end of the Bulk Set number for assembled (kitted) sets.

DSCH027 Series Shims

Individual Shim	Thickness
DSCH027-M025	.25 mm
DSCH027-M050	.50 mm
DSCH027-M100	1.00 mm
DSCH027-M200	2.00 mm
DSCH027-E015	.015 inch
DSCH027-E032	.032 inch
DSCH027-E062	.062 inch



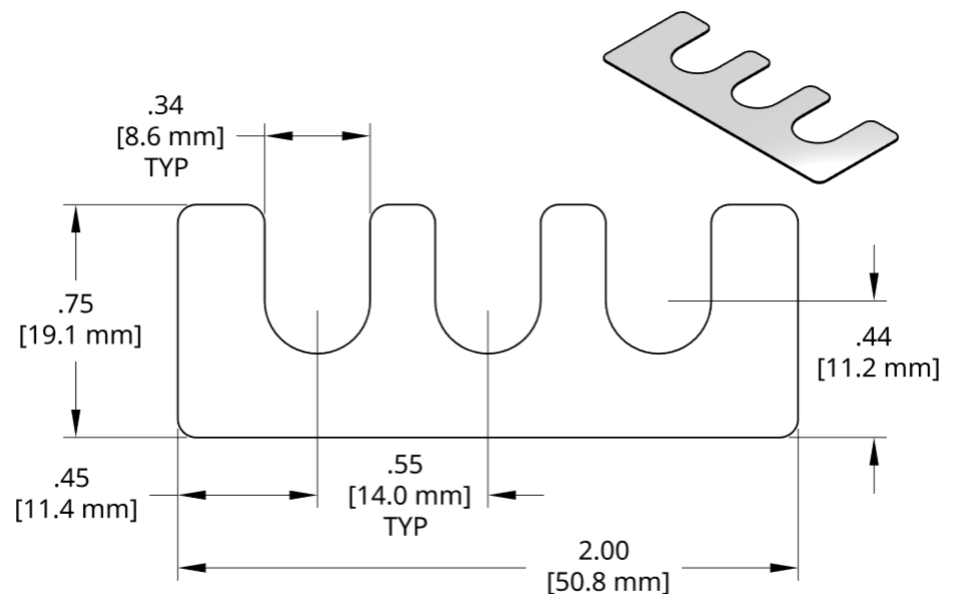
Full Hard 1010 steel shim stock. Black Oxide finish on -M050, -M100 and -M200 thickness shims.

Add a **K** to the end of the Bulk Set number for assembled (kitted) sets.

Bulk Set	Thick	Set Includes
DSCH027-M305	3.0mm	(0) 2.00mm, (2) 1.00mm, (1) .50mm, (2) .25mm
DSCH027-M454	4.5mm	(1) 2.00mm, (2) 1.00mm, (1) .50mm, (0) .25mm
DSCH027-M505	5.0mm	(1) 2.00mm, (2) 1.00mm, (2) .50mm, (0) .25mm
DSCH027-M506	5.0mm	(1) 2.00mm, (2) 1.00mm, (1) .50mm, (2) .25mm
DSCH027-M507	5.0mm	(1) 2.00mm, (1) 1.00mm, (3) .50mm, (2) .25mm
DSCH027-M605	6.0mm	(2) 2.00mm, (1) 1.00mm, (2) .50mm, (0) .25mm
DSCH027-M706	7.0mm	(2) 2.00mm, (2) 1.00mm, (2) .50mm, (0) .25mm
DSCH027-E255	.25 inch	(3) 0.062in, (2) 0.032in

DSCH028 Series Shims

Individual Shim	Thickness
DSCH028-M025	.25 mm
DSCH028-M050	.50 mm
DSCH028-M100	1.00 mm
DSCH028-M200	2.00 mm
DSCH028-E015	.015 inch
DSCH028-E032	.032 inch
DSCH028-E062	.062 inch

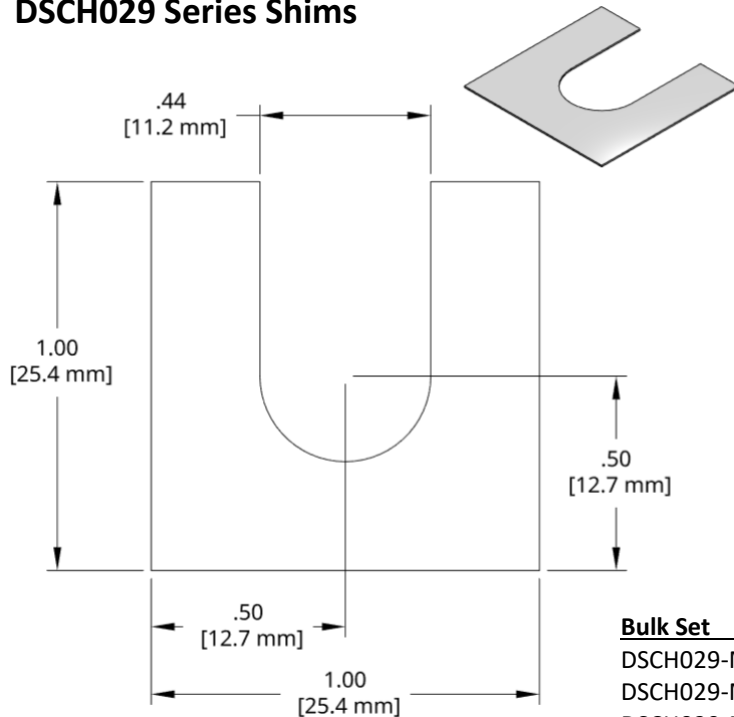


Full Hard 1010 steel shim stock. Black Oxide finish on -M050, -M100 and -M200 thickness shims.

Add a **K** to the end of the Bulk Set number for assembled (kitted) sets.

Bulk Set	Thick	Set Includes
DSCH028-M305	3.0mm	(0) 2.00mm, (2) 1.00mm, (1) .50mm, (2) .25mm
DSCH028-M454	4.5mm	(1) 2.00mm, (2) 1.00mm, (1) .50mm, (0) .25mm
DSCH028-M505	5.0mm	(1) 2.00mm, (2) 1.00mm, (2) .50mm, (0) .25mm
DSCH028-M506	5.0mm	(1) 2.00mm, (2) 1.00mm, (1) .50mm, (2) .25mm
DSCH028-M507	5.0mm	(1) 2.00mm, (1) 1.00mm, (3) .50mm, (2) .25mm
DSCH028-M605	6.0mm	(2) 2.00mm, (1) 1.00mm, (2) .50mm, (0) .25mm
DSCH028-M706	7.0mm	(2) 2.00mm, (2) 1.00mm, (2) .50mm, (0) .25mm
DSCH028-E255	.25 inch	(3) 0.062in, (2) 0.032in

DSCH029 Series Shims



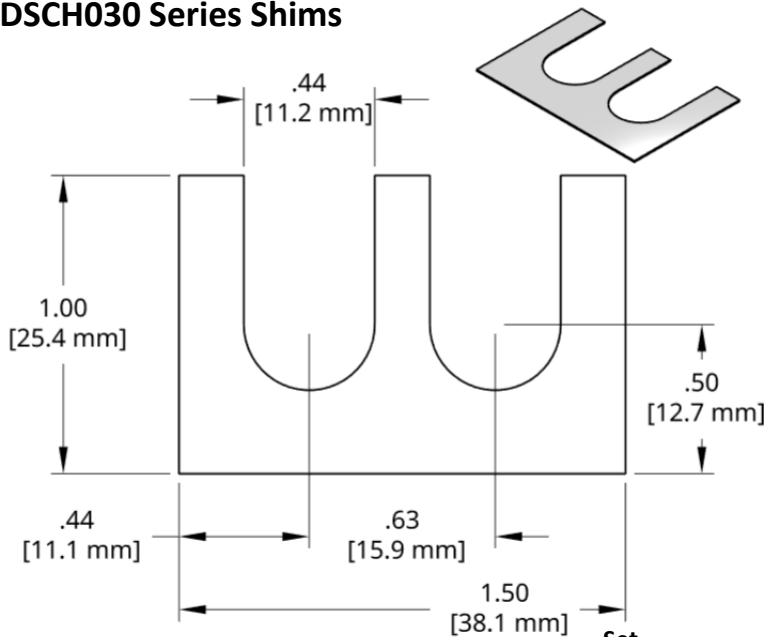
Individual Shim	Thickness
DSCH029-M025	.25 mm
DSCH029-M050	.50 mm
DSCH029-M100	1.00 mm
DSCH029-M200	2.00 mm
DSCH029-E015	.015 inch
DSCH029-E032	.032 inch
DSCH029-E062	.062 inch

Full Hard 1010 steel shim stock. Black Oxide finish on -M050, -M100 and -M200 thickness shims.

Add a **K** to the end of the Bulk Set number for assembled (kitted) sets.

Bulk Set	Thick	Set Includes
DSCH029-M305	3.0mm	(0) 2.00mm, (2) 1.00mm, (1) .50mm, (2) .25mm
DSCH029-M454	4.5mm	(1) 2.00mm, (2) 1.00mm, (1) .50mm, (0) .25mm
DSCH029-M505	5.0mm	(1) 2.00mm, (2) 1.00mm, (2) .50mm, (0) .25mm
DSCH029-M506	5.0mm	(1) 2.00mm, (2) 1.00mm, (1) .50mm, (2) .25mm
DSCH029-M507	5.0mm	(1) 2.00mm, (1) 1.00mm, (3) .50mm, (2) .25mm
DSCH029-M605	6.0mm	(2) 2.00mm, (1) 1.00mm, (2) .50mm, (0) .25mm
DSCH029-M706	7.0mm	(2) 2.00mm, (2) 1.00mm, (2) .50mm, (0) .25mm
DSCH029-E255	.25 inch	(3) 0.062in, (2) 0.032in

DSCH030 Series Shims



Individual Shims	Thickness
DSCH030-M025	.25 mm
DSCH030-M050	.50 mm
DSCH030-M100	1.00 mm
DSCH030-M200	2.00 mm
DSCH030-E015	.015 inch
DSCH030-E032	.032 inch
DSCH030-E062	.062 inch

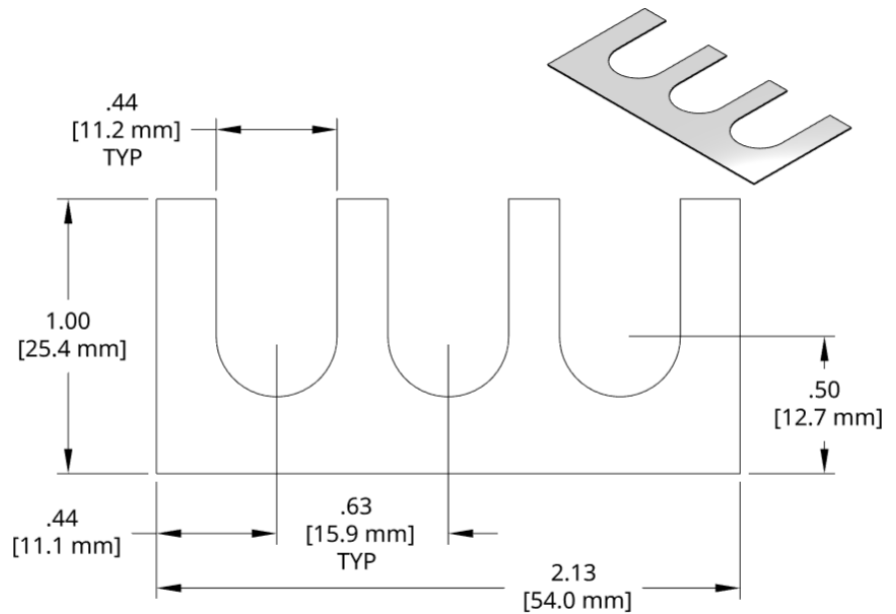
Full Hard 1010 steel shim stock. Black Oxide finish on -M050, -M100 and -M200 thickness shims.

Add a **K** to the end of the Bulk Set number for assembled (kitted) sets.

Set	Thick	Set Includes
DSCH030-M305	3.0mm	(0) 2.00mm, (2) 1.00mm, (1) .50mm, (2) .25mm
DSCH030-M454	4.5mm	(1) 2.00mm, (2) 1.00mm, (1) .50mm, (0) .25mm
DSCH030-M505	5.0mm	(1) 2.00mm, (2) 1.00mm, (2) .50mm, (0) .25mm
DSCH030-M506	5.0mm	(1) 2.00mm, (2) 1.00mm, (1) .50mm, (2) .25mm
DSCH030-M507	5.0mm	(1) 2.00mm, (1) 1.00mm, (3) .50mm, (2) .25mm
DSCH030-M605	6.0mm	(2) 2.00mm, (1) 1.00mm, (2) .50mm, (0) .25mm
DSCH030-M706	7.0mm	(2) 2.00mm, (2) 1.00mm, (2) .50mm, (0) .25mm
DSCH030-E255	.25 inch	(3) 0.062in, (2) 0.032in

DSCH031 Series Shims

Individual Shim	Thickness
DSCH031-M025	.25 mm
DSCH031-M050	.50 mm
DSCH031-M100	1.00 mm
DSCH031-M200	2.00 mm
DSCH031-E015	.015 inch
DSCH031-E032	.032 inch
DSCH031-E062	.062 inch



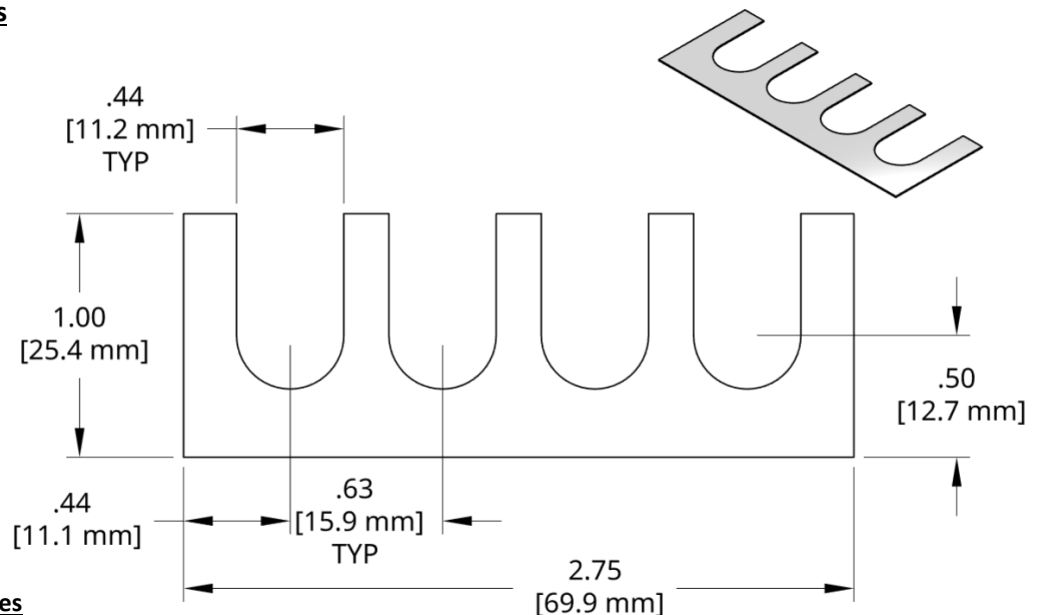
Bulk Set	Thick	Set Includes
DSCH031-M305	3.0mm	(0) 2.00mm, (2) 1.00mm, (1) .50mm, (2) .25mm
DSCH031-M454	4.5mm	(1) 2.00mm, (2) 1.00mm, (1) .50mm, (0) .25mm
DSCH031-M505	5.0mm	(1) 2.00mm, (2) 1.00mm, (2) .50mm, (0) .25mm
DSCH031-M506	5.0mm	(1) 2.00mm, (2) 1.00mm, (1) .50mm, (2) .25mm
DSCH031-M507	5.0mm	(1) 2.00mm, (1) 1.00mm, (3) .50mm, (2) .25mm
DSCH031-M605	6.0mm	(2) 2.00mm, (1) 1.00mm, (2) .50mm, (0) .25mm
DSCH031-M706	7.0mm	(2) 2.00mm, (2) 1.00mm, (2) .50mm, (0) .25mm
DSCH031-E255	.25 inch	(3) 0.062in, (2) 0.032in

Full Hard 1010 steel shim stock. Black Oxide finish on -M050, -M100 and -M200 thickness shims.

Add a **K** to the end of the Bulk Set number for assembled (kitted) sets.

DSCH032 Series Shims

Individual Shim	Thickness
DSCH032-M025	.25 mm
DSCH032-M050	.50 mm
DSCH032-M100	1.00 mm
DSCH032-M200	2.00 mm
DSCH032-E015	.015 inch
DSCH032-E032	.032 inch
DSCH032-E062	.062 inch



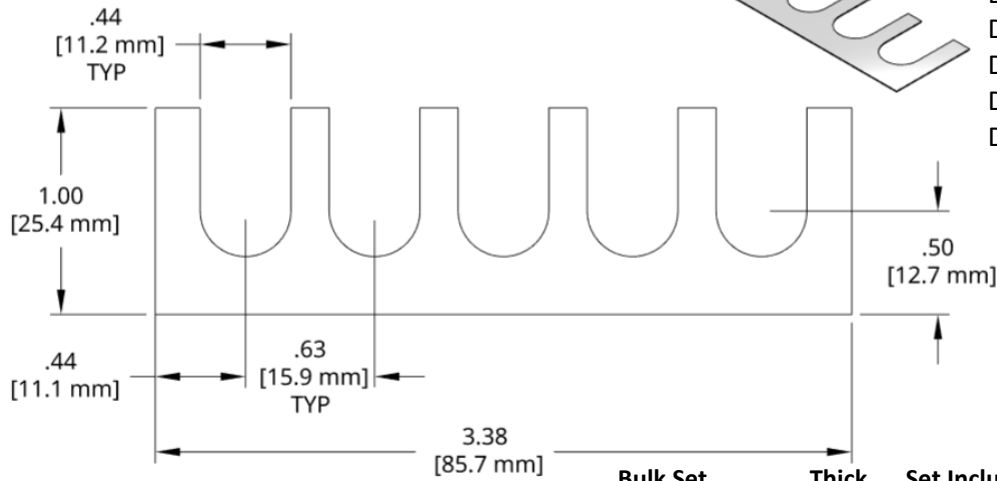
Bulk Set	Thick	Set Includes
DSCH032-M305	3.0mm	(0) 2.00mm, (2) 1.00mm, (1) .50mm, (2) .25mm
DSCH032-M454	4.5mm	(1) 2.00mm, (2) 1.00mm, (1) .50mm, (0) .25mm
DSCH032-M505	5.0mm	(1) 2.00mm, (2) 1.00mm, (2) .50mm, (0) .25mm
DSCH032-M506	5.0mm	(1) 2.00mm, (2) 1.00mm, (1) .50mm, (2) .25mm
DSCH032-M507	5.0mm	(1) 2.00mm, (1) 1.00mm, (3) .50mm, (2) .25mm
DSCH032-M605	6.0mm	(2) 2.00mm, (1) 1.00mm, (2) .50mm, (0) .25mm
DSCH032-M706	7.0mm	(2) 2.00mm, (2) 1.00mm, (2) .50mm, (0) .25mm
DSCH032-E255	.25 inch	(3) 0.062in, (2) 0.032in

Full Hard 1010 steel shim stock. Black Oxide finish on -M050, -M100 and -M200 thickness shims.

Add a **K** to the end of the Bulk Set number for assembled (kitted) sets.

DSCH033 Series Shims

Individual Shim	Thickness
DSCH033-M025	.25 mm
DSCH033-M050	.50 mm
DSCH033-M100	1.00 mm
DSCH033-M200	2.00 mm
DSCH033-E015	.015 inch
DSCH033-E032	.032 inch
DSCH033-E062	.062 inch



Bulk Set	Thick	Set Includes
----------	-------	--------------

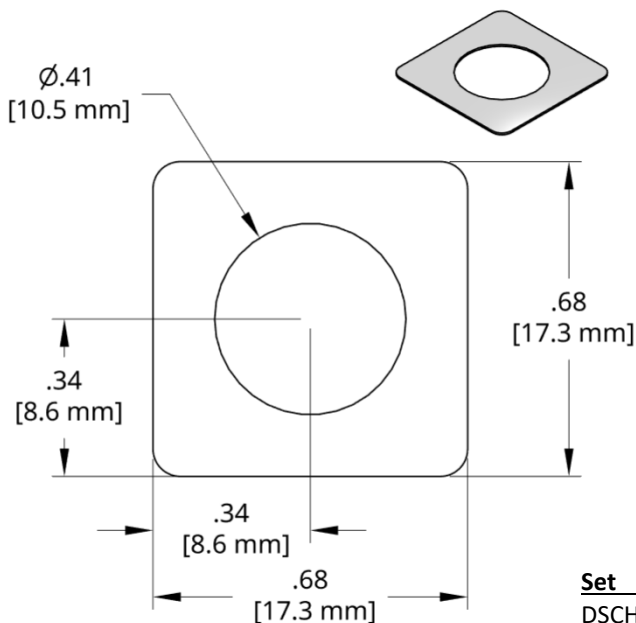
DSCH033-M305	3.0mm	(0) 2.00mm, (2) 1.00mm, (1) .50mm, (2) .25mm
DSCH033-M454	4.5mm	(1) 2.00mm, (2) 1.00mm, (1) .50mm, (0) .25mm
DSCH033-M505	5.0mm	(1) 2.00mm, (2) 1.00mm, (2) .50mm, (0) .25mm
DSCH033-M506	5.0mm	(1) 2.00mm, (2) 1.00mm, (1) .50mm, (2) .25mm
DSCH033-M507	5.0mm	(1) 2.00mm, (1) 1.00mm, (3) .50mm, (2) .25mm
DSCH033-M605	6.0mm	(2) 2.00mm, (1) 1.00mm, (2) .50mm, (0) .25mm
DSCH033-M706	7.0mm	(2) 2.00mm, (2) 1.00mm, (2) .50mm, (0) .25mm
DSCH033-E255	.25 inch	(3) 0.062in, (2) 0.032in

Full Hard 1010 steel shim stock. Black Oxide finish on -M050, -M100 and -M200 thickness shims.

Add a **K** to the end of the Bulk Set number for assembled (kitted) sets.

DSCH034 Series Shims

Individual Shims	Thickness
DSCH034-M025	.25 mm
DSCH034-M050	.50 mm
DSCH034-M100	1.00 mm
DSCH034-M200	2.00 mm
DSCH034-E015	.015 inch
DSCH034-E032	.032 inch
DSCH034-E062	.062 inch



Set	Thick	Set Includes
-----	-------	--------------

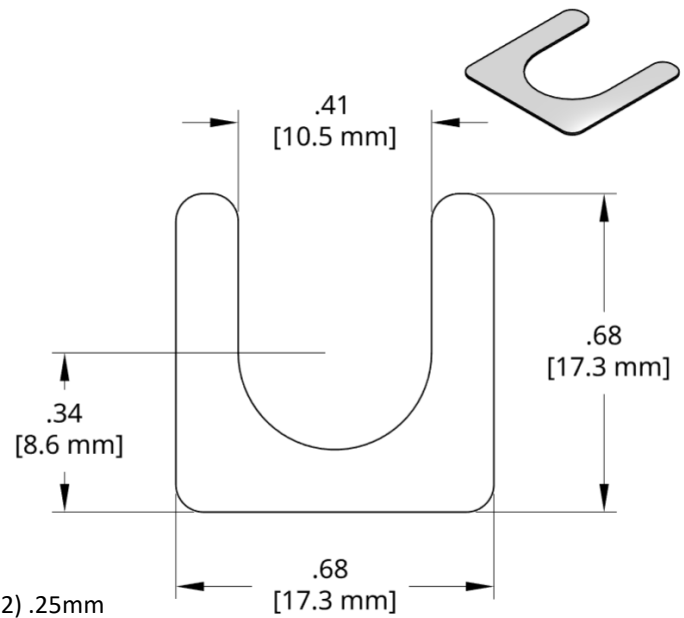
DSCH034-M305	3.0mm	(0) 2.00mm, (2) 1.00mm, (1) .50mm, (2) .25mm
DSCH034-M454	4.5mm	(1) 2.00mm, (2) 1.00mm, (1) .50mm, (0) .25mm
DSCH034-M505	5.0mm	(1) 2.00mm, (2) 1.00mm, (2) .50mm, (0) .25mm
DSCH034-M506	5.0mm	(1) 2.00mm, (2) 1.00mm, (1) .50mm, (2) .25mm
DSCH034-M507	5.0mm	(1) 2.00mm, (1) 1.00mm, (3) .50mm, (2) .25mm
DSCH034-M605	6.0mm	(2) 2.00mm, (1) 1.00mm, (2) .50mm, (0) .25mm
DSCH034-M706	7.0mm	(2) 2.00mm, (2) 1.00mm, (2) .50mm, (0) .25mm
DSCH034-E255	.25 inch	(3) 0.062in, (2) 0.032in

Full Hard 1010 steel shim stock. .25mm and 2.00mm unfinished, .50mm yellow dichromate and 1.00mm black oxide finish.

Add a **K** to the end of the Bulk Set number for assembled (kitted) sets.

DSCH035 Series Shims

Individual Shim	Thickness
DSCH035-M025	.25 mm
DSCH035-M050	.50 mm
DSCH035-M100	1.00 mm
DSCH035-M200	2.00 mm
DSCH035-E015	.015 inch
DSCH035-E032	.032 inch
DSCH035-E062	.062 inch



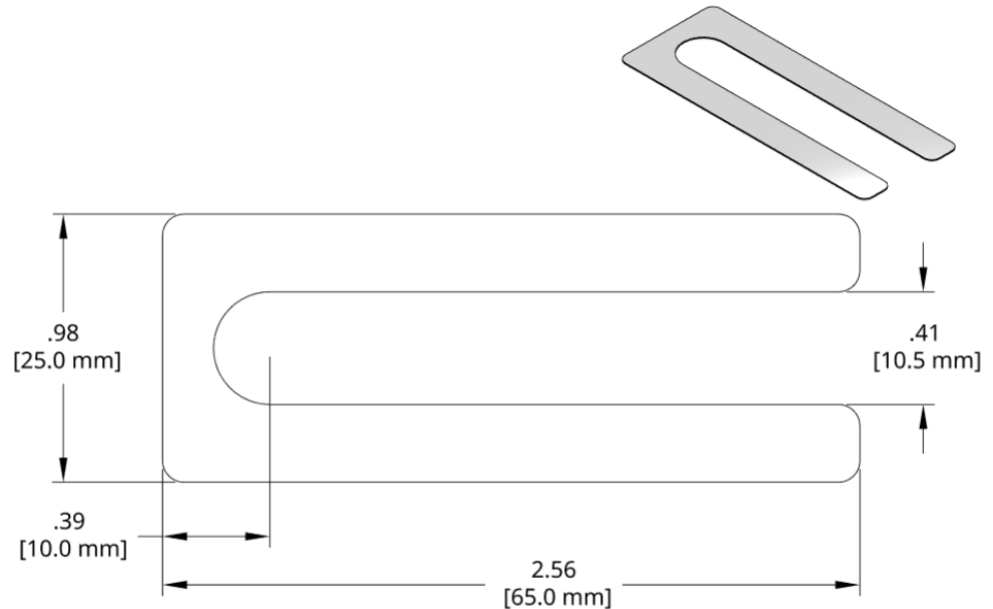
Bulk Set	Thick	Set Includes
DSCH035-M305	3.0mm	(0) 2.00mm, (2) 1.00mm, (1) .50mm, (2) .25mm
DSCH035-M454	4.5mm	(1) 2.00mm, (2) 1.00mm, (1) .50mm, (0) .25mm
DSCH035-M505	5.0mm	(1) 2.00mm, (2) 1.00mm, (2) .50mm, (0) .25mm
DSCH035-M506	5.0mm	(1) 2.00mm, (2) 1.00mm, (1) .50mm, (2) .25mm
DSCH035-M507	5.0mm	(1) 2.00mm, (1) 1.00mm, (3) .50mm, (2) .25mm
DSCH035-M605	6.0mm	(2) 2.00mm, (1) 1.00mm, (2) .50mm, (0) .25mm
DSCH035-M706	7.0mm	(2) 2.00mm, (2) 1.00mm, (2) .50mm, (0) .25mm
DSCH035-E255	.25 inch	(3) 0.062in, (2) 0.032in

Full Hard 1010 steel shim stock. .25mm and 2.00mm unfinished, .50mm yellow dichromate and 1.00mm black oxide finish.

Add a **K** to the end of the Bulk Set number for assembled (kitted) sets.

DSCH036 Series Shims

Individual Shim	Thickness
DSCH036-M025	.25 mm
DSCH036-M050	.50 mm
DSCH036-M100	1.00 mm
DSCH036-M200	2.00 mm
DSCH036-E015	.015 inch
DSCH036-E032	.032 inch
DSCH036-E062	.062 inch

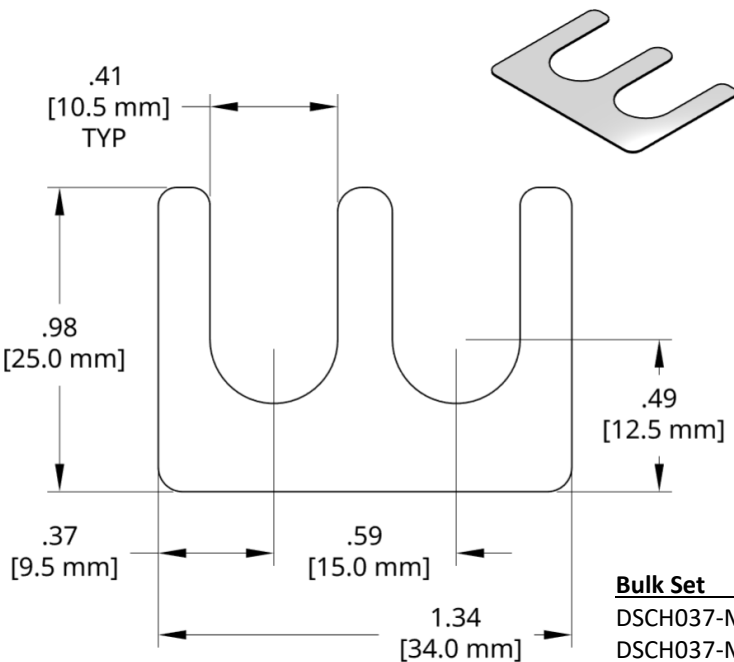


Bulk Set	Thick	Set Includes
DSCH036-M305	3.0mm	(0) 2.00mm, (2) 1.00mm, (1) .50mm, (2) .25mm
DSCH036-M454	4.5mm	(1) 2.00mm, (2) 1.00mm, (1) .50mm, (0) .25mm
DSCH036-M505	5.0mm	(1) 2.00mm, (2) 1.00mm, (2) .50mm, (0) .25mm
DSCH036-M506	5.0mm	(1) 2.00mm, (2) 1.00mm, (1) .50mm, (2) .25mm
DSCH036-M507	5.0mm	(1) 2.00mm, (1) 1.00mm, (3) .50mm, (2) .25mm
DSCH036-M605	6.0mm	(2) 2.00mm, (1) 1.00mm, (2) .50mm, (0) .25mm
DSCH036-M706	7.0mm	(2) 2.00mm, (2) 1.00mm, (2) .50mm, (0) .25mm
DSCH036-E255	.25 inch	(3) 0.062in, (2) 0.032in

Full Hard 1010 steel shim stock. .25mm and 2.00mm unfinished, .50mm yellow dichromate and 1.00mm black oxide finish.

Add a **K** to the end of the Bulk Set number for assembled (kitted) sets.

DSCH037 Series Shims



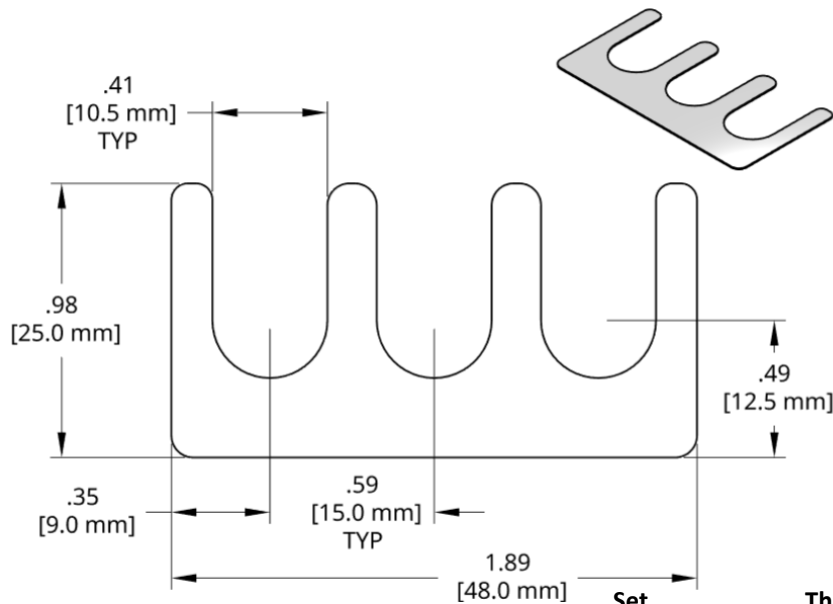
Full Hard 1010 steel shim stock. .25mm and 2.00mm unfinished, .50mm yellow dichromate and 1.00mm black oxide finish.

Add a **K** to the end of the Bulk Set number for assembled (kitted) sets.

Individual Shim	Thickness
DSCH037-M025	.25 mm
DSCH037-M050	.50 mm
DSCH037-M100	1.00 mm
DSCH037-M200	2.00 mm
DSCH037-E015	.015 inch
DSCH037-E032	.032 inch
DSCH037-E062	.062 inch

Bulk Set	Thick	Set Includes
DSCH037-M305	3.0mm	(0) 2.00mm, (2) 1.00mm, (1) .50mm, (2) .25mm
DSCH037-M454	4.5mm	(1) 2.00mm, (2) 1.00mm, (1) .50mm, (0) .25mm
DSCH037-M505	5.0mm	(1) 2.00mm, (2) 1.00mm, (2) .50mm, (0) .25mm
DSCH037-M506	5.0mm	(1) 2.00mm, (2) 1.00mm, (1) .50mm, (2) .25mm
DSCH037-M507	5.0mm	(1) 2.00mm, (1) 1.00mm, (3) .50mm, (2) .25mm
DSCH037-M605	6.0mm	(2) 2.00mm, (1) 1.00mm, (2) .50mm, (0) .25mm
DSCH037-M706	7.0mm	(2) 2.00mm, (2) 1.00mm, (2) .50mm, (0) .25mm
DSCH037-E255	.25 inch	(3) 0.062in, (2) 0.032in

DSCH038 Series Shims



Full Hard 1010 steel shim stock. .25mm and 2.00mm unfinished, .50mm yellow dichromate and 1.00mm black oxide finish.

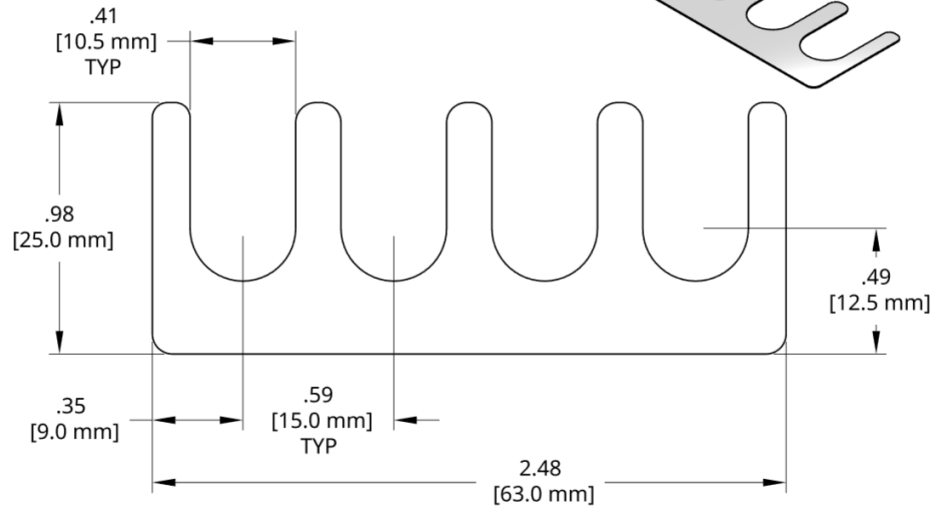
Add a **K** to the end of the Bulk Set number for assembled (kitted) sets.

Individual Shims	Thickness
DSCH038-M025	.25 mm
DSCH038-M050	.50 mm
DSCH038-M100	1.00 mm
DSCH038-M200	2.00 mm
DSCH038-E015	.015 inch
DSCH038-E032	.032 inch
DSCH038-E062	.062 inch

Set	Thick	Set Includes
DSCH038-M305	3.0mm	(0) 2.00mm, (2) 1.00mm, (1) .50mm, (2) .25mm
DSCH038-M454	4.5mm	(1) 2.00mm, (2) 1.00mm, (1) .50mm, (0) .25mm
DSCH038-M505	5.0mm	(1) 2.00mm, (2) 1.00mm, (2) .50mm, (0) .25mm
DSCH038-M506	5.0mm	(1) 2.00mm, (2) 1.00mm, (1) .50mm, (2) .25mm
DSCH038-M507	5.0mm	(1) 2.00mm, (1) 1.00mm, (3) .50mm, (2) .25mm
DSCH038-M605	6.0mm	(2) 2.00mm, (1) 1.00mm, (2) .50mm, (0) .25mm
DSCH038-M706	7.0mm	(2) 2.00mm, (2) 1.00mm, (2) .50mm, (0) .25mm
DSCH038-E255	.25 inch	(3) 0.062in, (2) 0.032in

DSCH039 Series Shims

Individual Shim	Thickness
DSCH039-M025	.25 mm
DSCH039-M050	.50 mm
DSCH039-M100	1.00 mm
DSCH039-M200	2.00 mm
DSCH039-E015	.015 inch
DSCH039-E032	.032 inch
DSCH039-E062	.062 inch



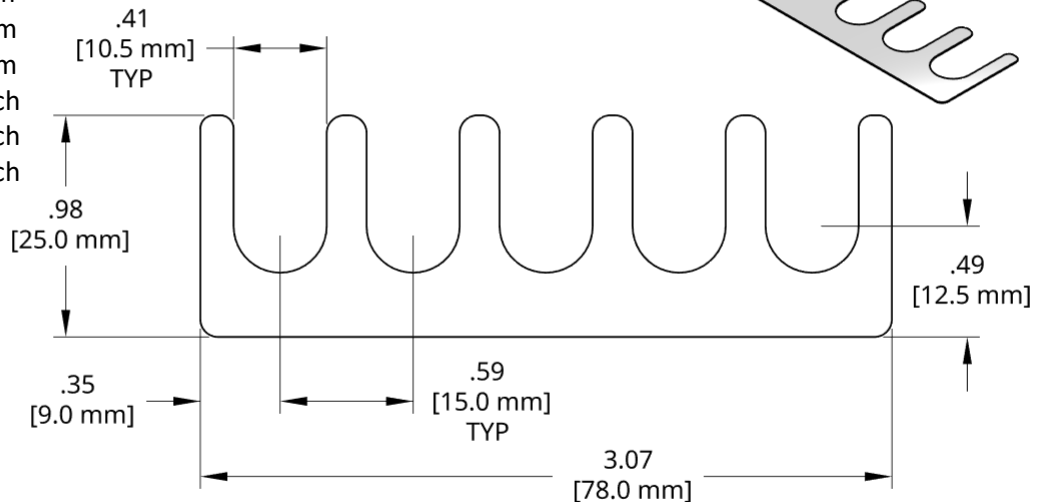
Bulk Set	Thick	Set Includes
DSCH039-M305	3.0mm	(0) 2.00mm, (2) 1.00mm, (1) .50mm, (2) .25mm
DSCH039-M454	4.5mm	(1) 2.00mm, (2) 1.00mm, (1) .50mm, (0) .25mm
DSCH039-M505	5.0mm	(1) 2.00mm, (2) 1.00mm, (2) .50mm, (0) .25mm
DSCH039-M506	5.0mm	(1) 2.00mm, (2) 1.00mm, (1) .50mm, (2) .25mm
DSCH039-M507	5.0mm	(1) 2.00mm, (1) 1.00mm, (3) .50mm, (2) .25mm
DSCH039-M605	6.0mm	(2) 2.00mm, (1) 1.00mm, (2) .50mm, (0) .25mm
DSCH039-M706	7.0mm	(2) 2.00mm, (2) 1.00mm, (2) .50mm, (0) .25mm
DSCH039-E255	.25 inch	(3) 0.062in, (2) 0.032in

Full Hard 1010 steel shim stock. .25mm and 2.00mm unfinished, .50mm yellow dichromate and 1.00mm black oxide finish.

Add a **K** to the end of the Bulk Set number for assembled (kitted) sets.

DSCH040 Series Shims

Individual Shim	Thickness
DSCH040-M025	.25 mm
DSCH040-M050	.50 mm
DSCH040-M100	1.00 mm
DSCH040-M200	2.00 mm
DSCH040-E015	.015 inch
DSCH040-E032	.032 inch
DSCH040-E062	.062 inch

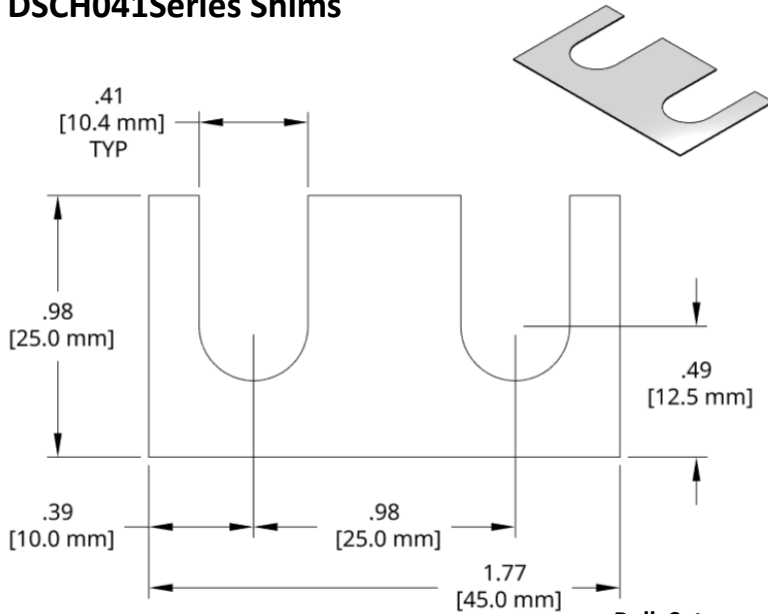


Bulk Set	Thick	Set Includes
DSCH040-M305	3.0mm	(0) 2.00mm, (2) 1.00mm, (1) .50mm, (2) .25mm
DSCH040-M454	4.5mm	(1) 2.00mm, (2) 1.00mm, (1) .50mm, (0) .25mm
DSCH040-M505	5.0mm	(1) 2.00mm, (2) 1.00mm, (2) .50mm, (0) .25mm
DSCH040-M506	5.0mm	(1) 2.00mm, (2) 1.00mm, (1) .50mm, (2) .25mm
DSCH040-M507	5.0mm	(1) 2.00mm, (1) 1.00mm, (3) .50mm, (2) .25mm
DSCH040-M605	6.0mm	(2) 2.00mm, (1) 1.00mm, (2) .50mm, (0) .25mm
DSCH040-M706	7.0mm	(2) 2.00mm, (2) 1.00mm, (2) .50mm, (0) .25mm
DSCH040-E255	.25 inch	(3) 0.062in, (2) 0.032in

Full Hard 1010 steel shim stock. .25mm and 2.00mm unfinished, .50mm yellow dichromate and 1.00mm black oxide finish.

Add a **K** to the end of the Bulk Set number for assembled (kitted) sets.

DSCH041Series Shims



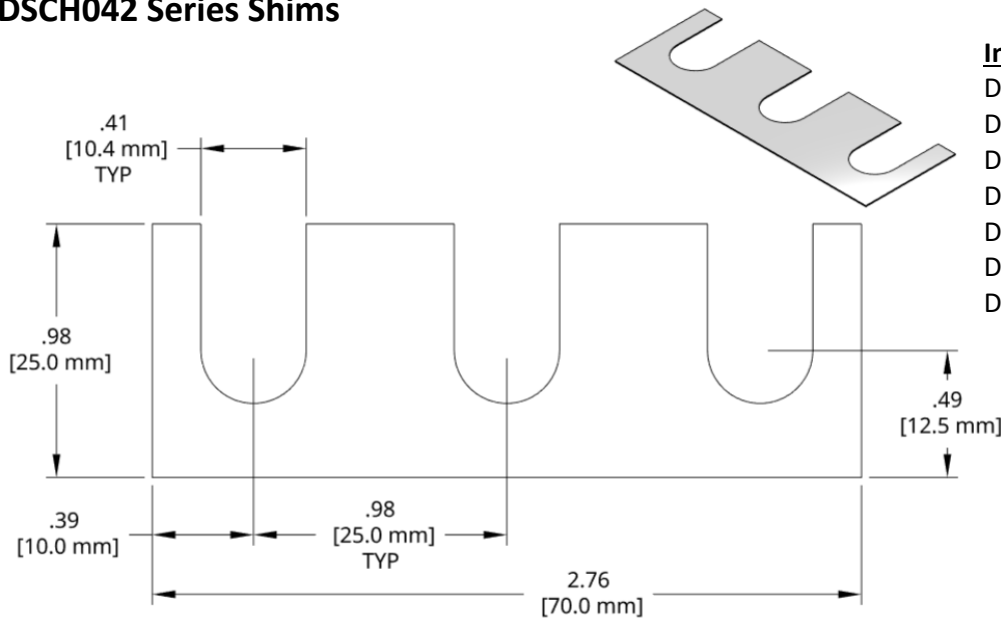
<u>Individual Shim</u>	<u>Thickness</u>
DSCH041-M025	.25 mm
DSCH041-M050	.50 mm
DSCH041-M100	1.00 mm
DSCH041-M200	2.00 mm
DSCH041-E015	.015 inch
DSCH041-E032	.032 inch
DSCH041-E062	.062 inch

Full Hard 1010 steel shim stock. Black Oxide finish on -M050, -M100 and -M200 thickness shims.

Add a **K** to the end of the Bulk Set number for assembled (kitted) sets.

<u>Bulk Set</u>	<u>Thick</u>	<u>Set Includes</u>
DSCH041-M305	3.0mm	(0) 2.00mm, (2) 1.00mm, (1) .50mm, (2) .25mm
DSCH041-M454	4.5mm	(1) 2.00mm, (2) 1.00mm, (1) .50mm, (0) .25mm
DSCH041-M505	5.0mm	(1) 2.00mm, (2) 1.00mm, (2) .50mm, (0) .25mm
DSCH041-M506	5.0mm	(1) 2.00mm, (2) 1.00mm, (1) .50mm, (2) .25mm
DSCH041-M507	5.0mm	(1) 2.00mm, (1) 1.00mm, (3) .50mm, (2) .25mm
DSCH041-M605	6.0mm	(2) 2.00mm, (1) 1.00mm, (2) .50mm, (0) .25mm
DSCH041-M706	7.0mm	(2) 2.00mm, (2) 1.00mm, (2) .50mm, (0) .25mm
DSCH041-E255	.25 inch	(3) 0.062in, (2) 0.032in

DSCH042 Series Shims



<u>Individual Shims</u>	<u>Thickness</u>
DSCH042-M025	.25 mm
DSCH042-M050	.50 mm
DSCH042-M100	1.00 mm
DSCH042-M200	2.00 mm
DSCH042-E015	.015 inch
DSCH042-E032	.032 inch
DSCH042-E062	.062 inch

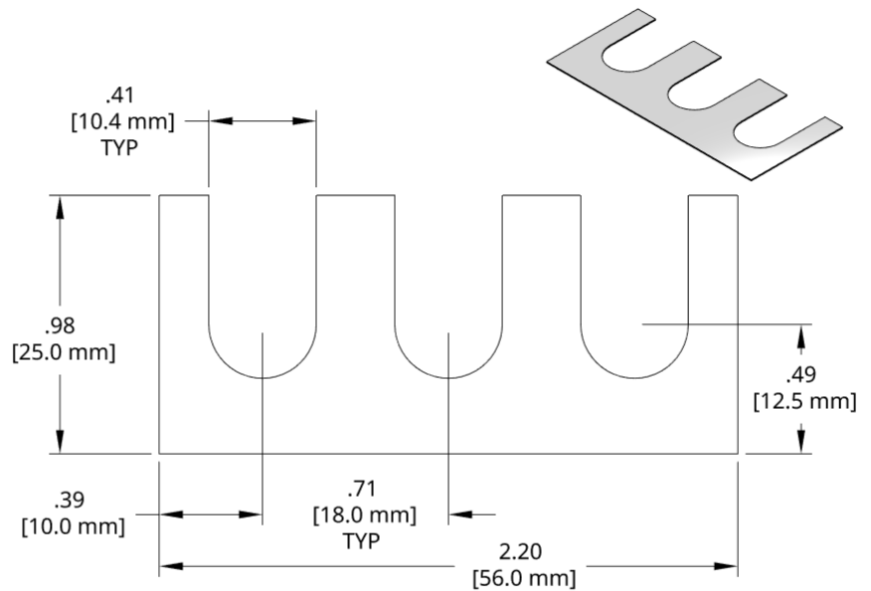
Full Hard 1010 steel shim stock. Black Oxide finish on -M050, -M100 and -M200 thickness shims.

Add a **K** to the end of the Bulk Set number for assembled (kitted) sets.

<u>Set</u>	<u>Thick</u>	<u>Set Includes</u>
DSCH042-M305	3.0mm	(0) 2.00mm, (2) 1.00mm, (1) .50mm, (2) .25mm
DSCH042-M454	4.5mm	(1) 2.00mm, (2) 1.00mm, (1) .50mm, (0) .25mm
DSCH042-M505	5.0mm	(1) 2.00mm, (2) 1.00mm, (2) .50mm, (0) .25mm
DSCH042-M506	5.0mm	(1) 2.00mm, (2) 1.00mm, (1) .50mm, (2) .25mm
DSCH042-M507	5.0mm	(1) 2.00mm, (1) 1.00mm, (3) .50mm, (2) .25mm
DSCH042-M605	6.0mm	(2) 2.00mm, (1) 1.00mm, (2) .50mm, (0) .25mm
DSCH042-M706	7.0mm	(2) 2.00mm, (2) 1.00mm, (2) .50mm, (0) .25mm
DSCH042-E255	.25 inch	(3) 0.062in, (2) 0.032in

DSCH043 Series Shims

Individual Shim	Thickness
DSCH043-M025	.25 mm
DSCH043-M050	.50 mm
DSCH043-M100	1.00 mm
DSCH043-M200	2.00 mm
DSCH043-E015	.015 inch
DSCH043-E032	.032 inch
DSCH043-E062	.062 inch



Bulk Set Thick Set Includes

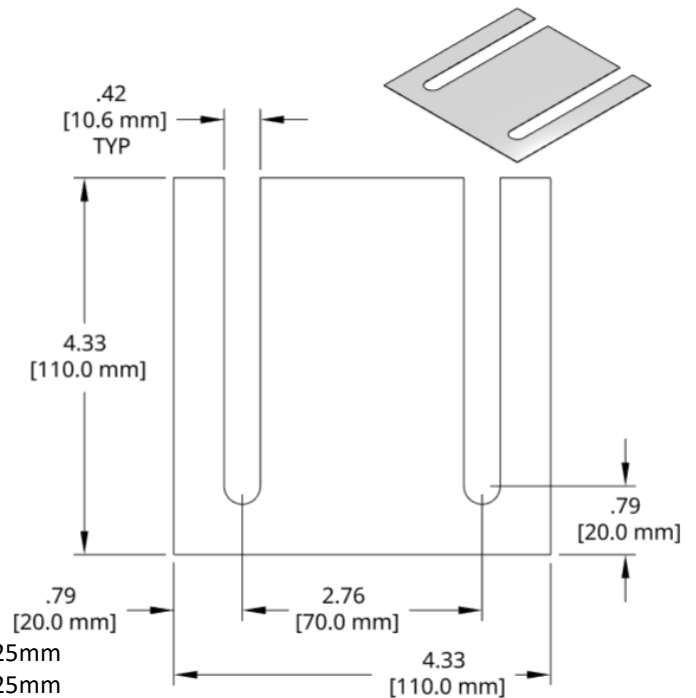
Bulk Set	Thick	Set Includes
DSCH043-M305	3.0mm	(0) 2.00mm, (2) 1.00mm, (1) .50mm, (2) .25mm
DSCH043-M454	4.5mm	(1) 2.00mm, (2) 1.00mm, (1) .50mm, (0) .25mm
DSCH043-M505	5.0mm	(1) 2.00mm, (2) 1.00mm, (2) .50mm, (0) .25mm
DSCH043-M506	5.0mm	(1) 2.00mm, (2) 1.00mm, (1) .50mm, (2) .25mm
DSCH043-M507	5.0mm	(1) 2.00mm, (1) 1.00mm, (3) .50mm, (2) .25mm
DSCH043-M605	6.0mm	(2) 2.00mm, (1) 1.00mm, (2) .50mm, (0) .25mm
DSCH043-M706	7.0mm	(2) 2.00mm, (2) 1.00mm, (2) .50mm, (0) .25mm
DSCH043-E255	.25 inch	(3) 0.062in, (2) 0.032in

Full Hard 1010 steel shim stock. Black Oxide finish on -M050, -M100 and -M200 thickness shims.

Add a **K** to the end of the Bulk Set number for assembled (kitted) sets.

DSCH044 Series Shims

Individual Shim	Thickness
DSCH044-M025	.25 mm
DSCH044-M050	.50 mm
DSCH044-M100	1.00 mm
DSCH044-M200	2.00 mm
DSCH044-E015	.015 inch
DSCH044-E032	.032 inch
DSCH044-E062	.062 inch



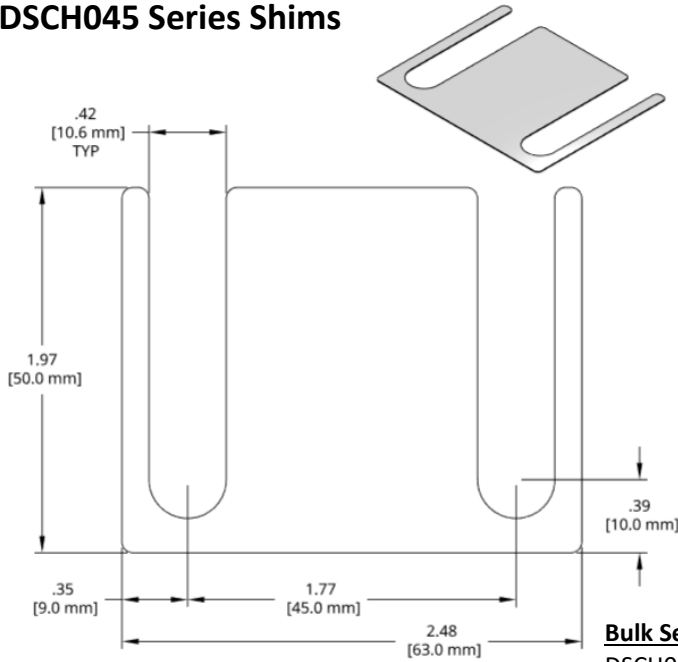
Bulk Set Thick Set Includes

Bulk Set	Thick	Set Includes
DSCH044-M305	3.0mm	(0) 2.00mm, (2) 1.00mm, (1) .50mm, (2) .25mm
DSCH044-M454	4.5mm	(1) 2.00mm, (2) 1.00mm, (1) .50mm, (0) .25mm
DSCH044-M505	5.0mm	(1) 2.00mm, (2) 1.00mm, (2) .50mm, (0) .25mm
DSCH044-M506	5.0mm	(1) 2.00mm, (2) 1.00mm, (1) .50mm, (2) .25mm
DSCH044-M507	5.0mm	(1) 2.00mm, (1) 1.00mm, (3) .50mm, (2) .25mm
DSCH044-M605	6.0mm	(2) 2.00mm, (1) 1.00mm, (2) .50mm, (0) .25mm
DSCH044-M706	7.0mm	(2) 2.00mm, (2) 1.00mm, (2) .50mm, (0) .25mm
DSCH044-E255	.25 inch	(3) 0.062in, (2) 0.032in

Full Hard 1010 steel shim stock. .

Add a **K** to the end of the Bulk Set number for assembled (kitted) sets.

DSCH045 Series Shims



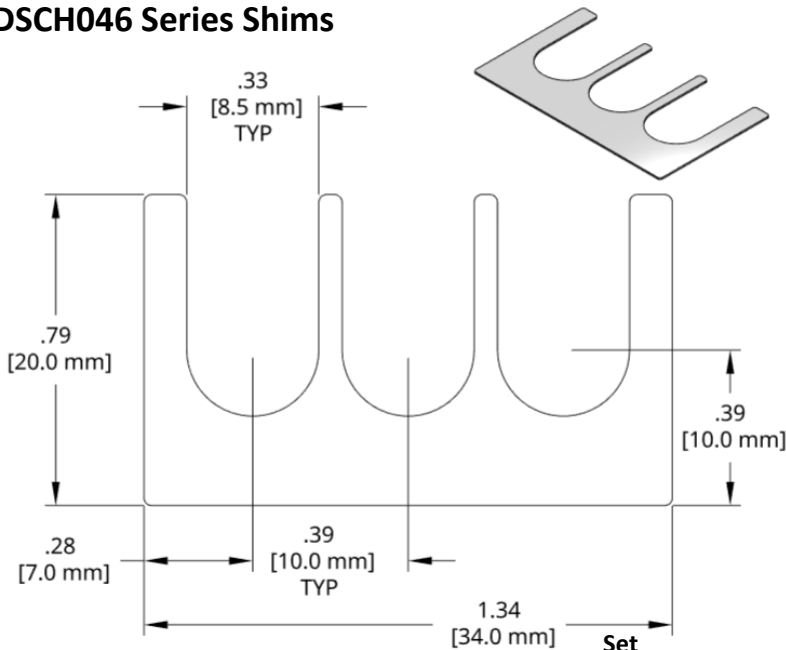
<u>Individual Shim</u>	<u>Thickness</u>
DSCH045-M025	.25 mm
DSCH045-M050	.50 mm
DSCH045-M100	1.00 mm
DSCH045-M200	2.00 mm
DSCH045-E015	.015 inch
DSCH045-E032	.032 inch
DSCH045-E062	.062 inch

Full Hard 1010 steel shim stock. .25mm, .50mm and 2.00mm unfinished, 1.00mm black oxide finish.

Add a **K** to the end of the Bulk Set number for assembled (kitted) sets.

<u>Bulk Set</u>	<u>Thick</u>	<u>Set Includes</u>
DSCH045-M305	3.0mm	(0) 2.00mm, (2) 1.00mm, (1) .50mm, (2) .25mm
DSCH045-M454	4.5mm	(1) 2.00mm, (2) 1.00mm, (1) .50mm, (0) .25mm
DSCH045-M505	5.0mm	(1) 2.00mm, (2) 1.00mm, (2) .50mm, (0) .25mm
DSCH045-M506	5.0mm	(1) 2.00mm, (2) 1.00mm, (1) .50mm, (2) .25mm
DSCH045-M507	5.0mm	(1) 2.00mm, (1) 1.00mm, (3) .50mm, (2) .25mm
DSCH045-M605	6.0mm	(2) 2.00mm, (1) 1.00mm, (2) .50mm, (0) .25mm
DSCH045-M706	7.0mm	(2) 2.00mm, (2) 1.00mm, (2) .50mm, (0) .25mm
DSCH045-E255	.25 inch	(3) 0.062in, (2) 0.032in

DSCH046 Series Shims



<u>Individual Shims</u>	<u>Thickness</u>
DSCH046-M025	.25 mm
DSCH046-M050	.50 mm
DSCH046-M100	1.00 mm
DSCH046-M200	2.00 mm
DSCH046-E015	.015 inch
DSCH046-E032	.032 inch
DSCH046-E062	.062 inch

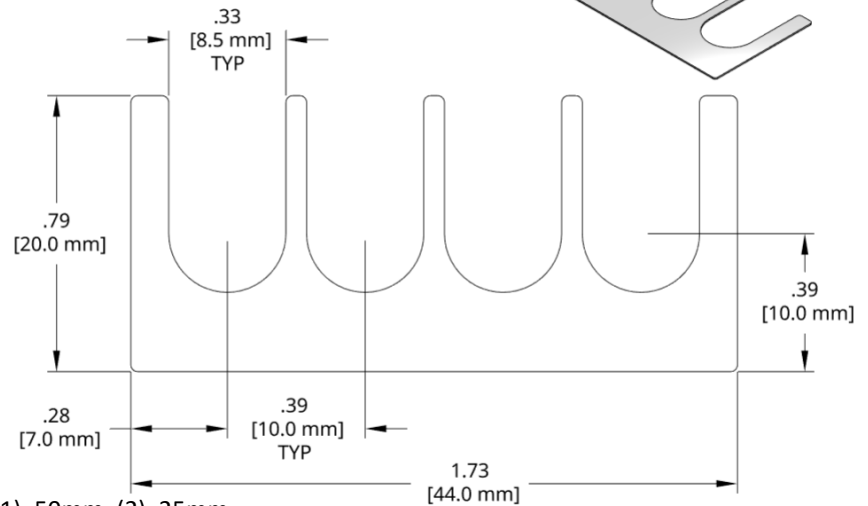
Full Hard 1010 steel shim stock. .25mm and 2.00mm unfinished, .50mm yellow dichromate and 1.00mm black oxide finish.

Add a **K** to the end of the Bulk Set number for assembled (kitted) sets.

<u>Set</u>	<u>Thick</u>	<u>Set Includes</u>
DSCH046-M305	3.0mm	(0) 2.00mm, (2) 1.00mm, (1) .50mm, (2) .25mm
DSCH046-M454	4.5mm	(1) 2.00mm, (2) 1.00mm, (1) .50mm, (0) .25mm
DSCH046-M505	5.0mm	(1) 2.00mm, (2) 1.00mm, (2) .50mm, (0) .25mm
DSCH046-M506	5.0mm	(1) 2.00mm, (2) 1.00mm, (1) .50mm, (2) .25mm
DSCH046-M507	5.0mm	(1) 2.00mm, (1) 1.00mm, (3) .50mm, (2) .25mm
DSCH046-M605	6.0mm	(2) 2.00mm, (1) 1.00mm, (2) .50mm, (0) .25mm
DSCH046-M706	7.0mm	(2) 2.00mm, (2) 1.00mm, (2) .50mm, (0) .25mm
DSCH046-E255	.25 inch	(3) 0.062in, (2) 0.032in

DSCH047 Series Shims

Individual Shim	Thickness
DSCH047-M025	.25 mm
DSCH047-M050	.50 mm
DSCH047-M100	1.00 mm
DSCH047-M200	2.00 mm
DSCH047-E015	.015 inch
DSCH047-E032	.032 inch
DSCH047-E062	.062 inch



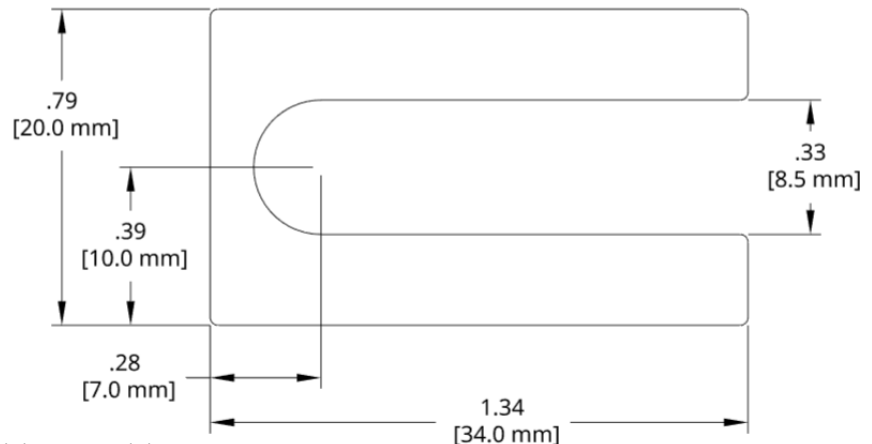
Full Hard 1010 steel shim stock. .25mm and 2.00mm unfinished, .50mm yellow dichromate and 1.00mm black oxide finish.

Add a **K** to the end of the Bulk Set number for assembled (kitted) sets.

Bulk Set	Thick	Set Includes
DSCH047-M305	3.0mm	(0) 2.00mm, (2) 1.00mm, (1) .50mm, (2) .25mm
DSCH047-M454	4.5mm	(1) 2.00mm, (2) 1.00mm, (1) .50mm, (0) .25mm
DSCH047-M505	5.0mm	(1) 2.00mm, (2) 1.00mm, (2) .50mm, (0) .25mm
DSCH047-M506	5.0mm	(1) 2.00mm, (2) 1.00mm, (1) .50mm, (2) .25mm
DSCH047-M507	5.0mm	(1) 2.00mm, (1) 1.00mm, (3) .50mm, (2) .25mm
DSCH047-M605	6.0mm	(2) 2.00mm, (1) 1.00mm, (2) .50mm, (0) .25mm
DSCH047-M706	7.0mm	(2) 2.00mm, (2) 1.00mm, (2) .50mm, (0) .25mm
DSCH047-E255	.25 inch	(3) 0.062in, (2) 0.032in

DSCH048 Series Shims

Individual Shim	Thickness
DSCH048-M025	.25 mm
DSCH048-M050	.50 mm
DSCH048-M100	1.00 mm
DSCH048-M200	2.00 mm
DSCH048-E015	.015 inch
DSCH048-E032	.032 inch
DSCH048-E062	.062 inch

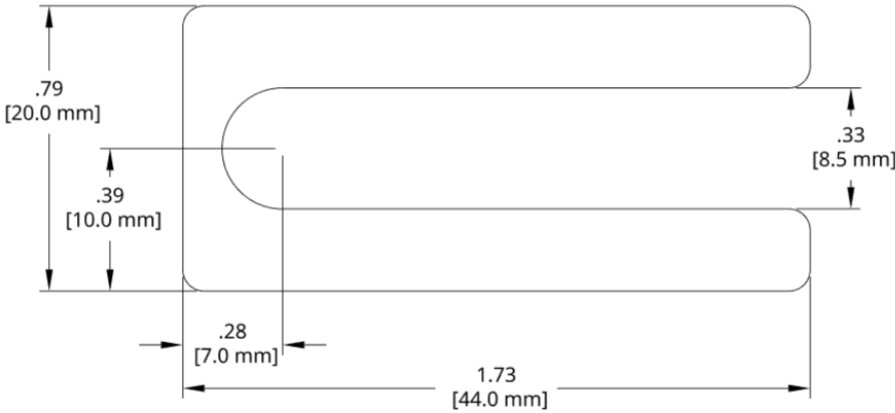
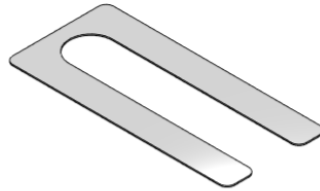


Full Hard 1010 steel shim stock. Black Oxide finish on -M050, -M100 and -M200 thickness shims.

Add a **K** to the end of the Bulk Set number for assembled (kitted) sets.

Bulk Set	Thick	Set Includes
DSCH048-M305	3.0mm	(0) 2.00mm, (2) 1.00mm, (1) .50mm, (2) .25mm
DSCH048-M454	4.5mm	(1) 2.00mm, (2) 1.00mm, (1) .50mm, (0) .25mm
DSCH048-M505	5.0mm	(1) 2.00mm, (2) 1.00mm, (2) .50mm, (0) .25mm
DSCH048-M506	5.0mm	(1) 2.00mm, (2) 1.00mm, (1) .50mm, (2) .25mm
DSCH048-M507	5.0mm	(1) 2.00mm, (1) 1.00mm, (3) .50mm, (2) .25mm
DSCH048-M605	6.0mm	(2) 2.00mm, (1) 1.00mm, (2) .50mm, (0) .25mm
DSCH048-M706	7.0mm	(2) 2.00mm, (2) 1.00mm, (2) .50mm, (0) .25mm
DSCH048-E255	.25 inch	(3) 0.062in, (2) 0.032in

DSCH049 Series Shims



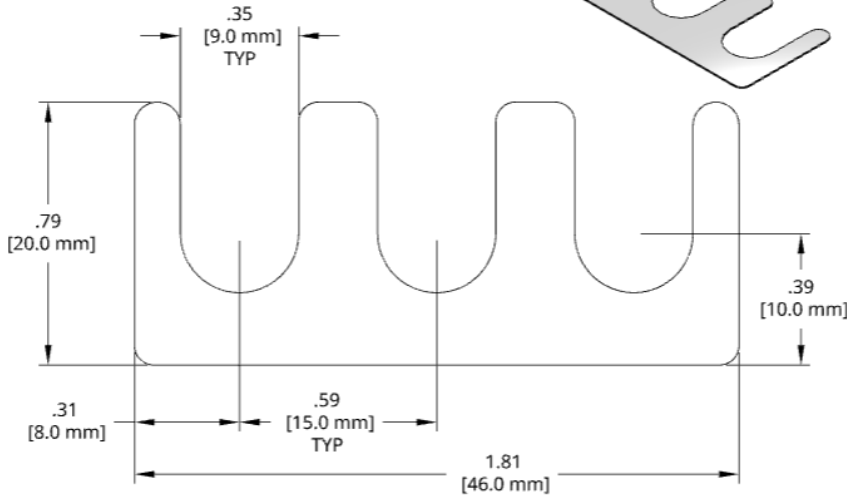
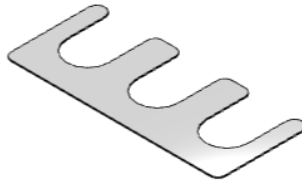
Individual Shim	Thickness
DSCH049-M025	.25 mm
DSCH049-M050	.50 mm
DSCH049-M100	1.00 mm
DSCH049-M200	2.00 mm
DSCH049-E015	.015 inch
DSCH049-E032	.032 inch
DSCH049-E062	.062 inch

Full Hard 1010 steel shim stock. .25mm and 2.00mm unfinished, .50mm yellow dichromate and 1.00mm black oxide finish.

Add a **K** to the end of the Bulk Set number for assembled (kitted) sets.

Bulk Set	Thick	Set Includes
DSCH049-M305	3.0mm	(0) 2.00mm, (2) 1.00mm, (1) .50mm, (2) .25mm
DSCH049-M454	4.5mm	(1) 2.00mm, (2) 1.00mm, (1) .50mm, (0) .25mm
DSCH049-M505	5.0mm	(1) 2.00mm, (2) 1.00mm, (2) .50mm, (0) .25mm
DSCH049-M506	5.0mm	(1) 2.00mm, (2) 1.00mm, (1) .50mm, (2) .25mm
DSCH049-M507	5.0mm	(1) 2.00mm, (1) 1.00mm, (3) .50mm, (2) .25mm
DSCH049-M605	6.0mm	(2) 2.00mm, (1) 1.00mm, (2) .50mm, (0) .25mm
DSCH049-M706	7.0mm	(2) 2.00mm, (2) 1.00mm, (2) .50mm, (0) .25mm
DSCH049-E255	.25 inch	(3) 0.062in, (2) 0.032in

DSCH050 Series Shims



Individual Shims	Thickness
DSCH050-M025	.25 mm
DSCH050-M050	.50 mm
DSCH050-M100	1.00 mm
DSCH050-M200	2.00 mm
DSCH050-E015	.015 inch
DSCH050-E032	.032 inch
DSCH050-E062	.062 inch

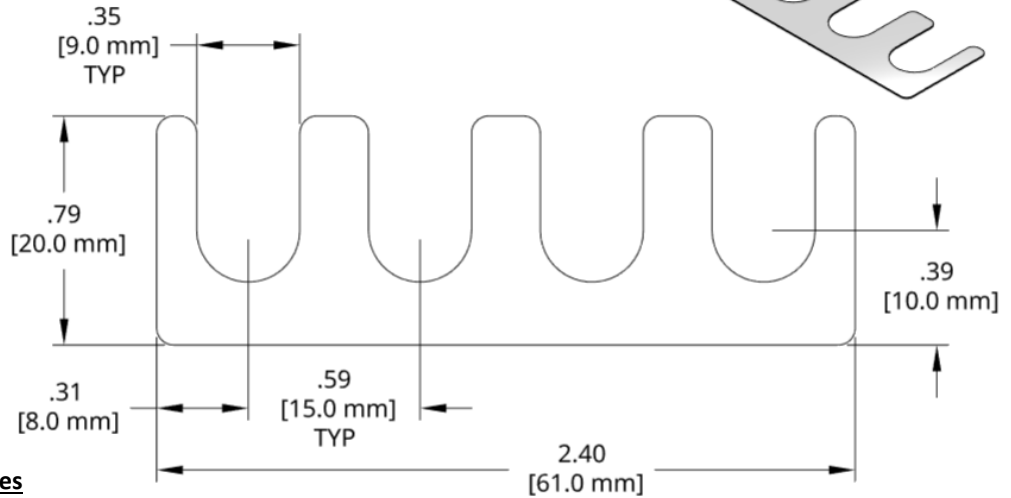
Full Hard 1010 steel shim stock. .25mm and 2.00mm unfinished, .50mm yellow dichromate and 1.00mm black oxide finish.

Add a **K** to the end of the Bulk Set number for assembled (kitted) sets.

Set	Thick	Set Includes
DSCH050-M305	3.0mm	(0) 2.00mm, (2) 1.00mm, (1) .50mm, (2) .25mm
DSCH050-M454	4.5mm	(1) 2.00mm, (2) 1.00mm, (1) .50mm, (0) .25mm
DSCH050-M505	5.0mm	(1) 2.00mm, (2) 1.00mm, (2) .50mm, (0) .25mm
DSCH050-M506	5.0mm	(1) 2.00mm, (2) 1.00mm, (1) .50mm, (2) .25mm
DSCH050-M507	5.0mm	(1) 2.00mm, (1) 1.00mm, (3) .50mm, (2) .25mm
DSCH050-M605	6.0mm	(2) 2.00mm, (1) 1.00mm, (2) .50mm, (0) .25mm
DSCH050-M706	7.0mm	(2) 2.00mm, (2) 1.00mm, (2) .50mm, (0) .25mm
DSCH050-E255	.25 inch	(3) 0.062in, (2) 0.032in

DSCH051 Series Shims

Individual Shim	Thickness
DSCH051-M025	.25 mm
DSCH051-M050	.50 mm
DSCH051-M100	1.00 mm
DSCH051-M200	2.00 mm
DSCH051-E015	.015 inch
DSCH051-E032	.032 inch
DSCH051-E062	.062 inch



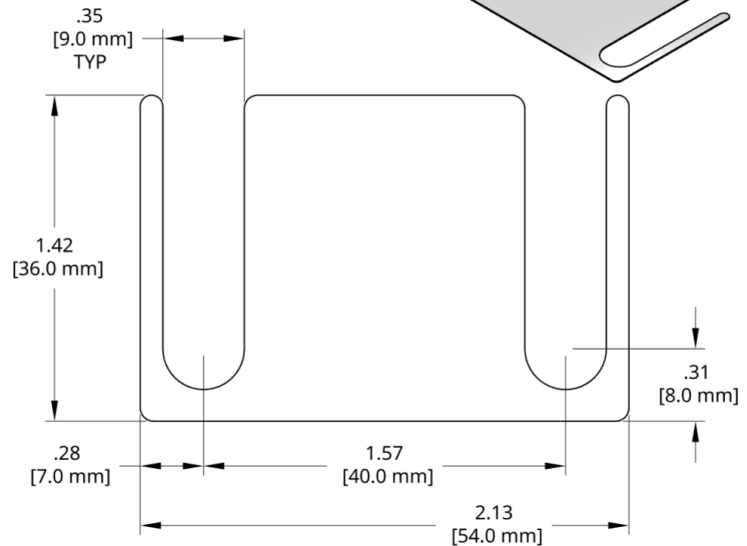
Bulk Set	Thick	Set Includes
DSCH051-M305	3.0mm	(0) 2.00mm, (2) 1.00mm, (1) .50mm, (2) .25mm
DSCH051-M454	4.5mm	(1) 2.00mm, (2) 1.00mm, (1) .50mm, (0) .25mm
DSCH051-M505	5.0mm	(1) 2.00mm, (2) 1.00mm, (2) .50mm, (0) .25mm
DSCH051-M506	5.0mm	(1) 2.00mm, (2) 1.00mm, (1) .50mm, (2) .25mm
DSCH051-M507	5.0mm	(1) 2.00mm, (1) 1.00mm, (3) .50mm, (2) .25mm
DSCH051-M605	6.0mm	(2) 2.00mm, (1) 1.00mm, (2) .50mm, (0) .25mm
DSCH051-M706	7.0mm	(2) 2.00mm, (2) 1.00mm, (2) .50mm, (0) .25mm
DSCH051-E255	.25 inch	(3) 0.062in, (2) 0.032in

Full Hard 1010 steel shim stock. .25mm and 2.00mm unfinished, .50mm yellow dichromate and 1.00mm black oxide finish.

Add a **K** to the end of the Bulk Set number for assembled (kitted) sets.

DSCH052 Series Shims

Individual Shim	Thickness
DSCH052-M025	.25 mm
DSCH052-M050	.50 mm
DSCH052-M100	1.00 mm
DSCH052-M200	2.00 mm
DSCH052-E015	.015 inch
DSCH052-E032	.032 inch
DSCH052-E062	.062 inch

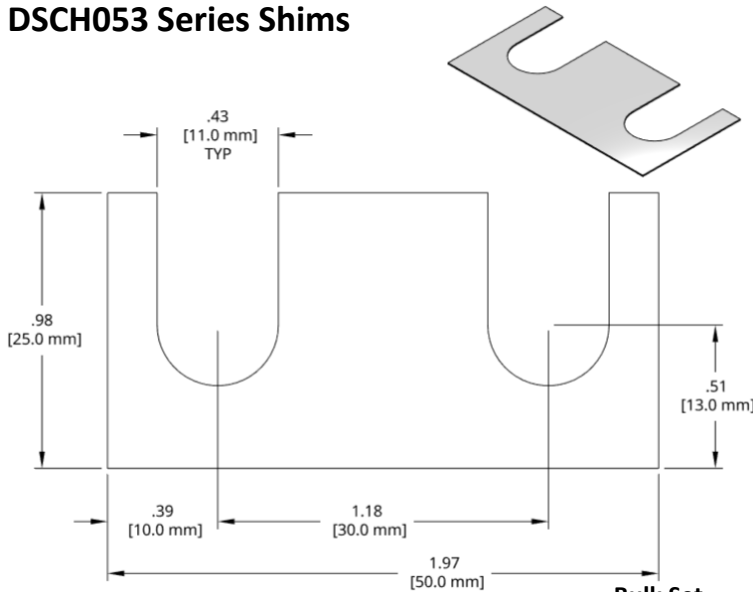


Bulk Set	Thick	Set Includes
DSCH052-M305	3.0mm	(0) 2.00mm, (2) 1.00mm, (1) .50mm, (2) .25mm
DSCH052-M454	4.5mm	(1) 2.00mm, (2) 1.00mm, (1) .50mm, (0) .25mm
DSCH052-M505	5.0mm	(1) 2.00mm, (2) 1.00mm, (2) .50mm, (0) .25mm
DSCH052-M506	5.0mm	(1) 2.00mm, (2) 1.00mm, (1) .50mm, (2) .25mm
DSCH052-M507	5.0mm	(1) 2.00mm, (1) 1.00mm, (3) .50mm, (2) .25mm
DSCH052-M605	6.0mm	(2) 2.00mm, (1) 1.00mm, (2) .50mm, (0) .25mm
DSCH052-M706	7.0mm	(2) 2.00mm, (2) 1.00mm, (2) .50mm, (0) .25mm
DSCH052-E255	.25 inch	(3) 0.062in, (2) 0.032in

Full Hard 1010 steel shim stock. Black Oxide finish on -M050, -M100 and -M200 thickness shims.

Add a **K** to the end of the Bulk Set number for assembled (kitted) sets.

DSCH053 Series Shims



Full Hard 1010 steel shim stock. Black Oxide finish on -M050, -M100 and -M200 thickness shims.

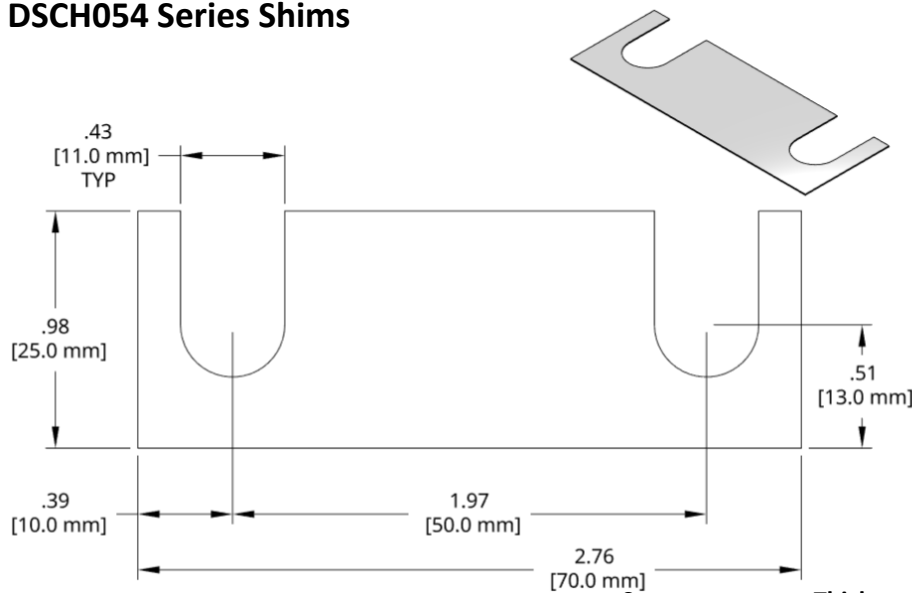
Add a **K** to the end of the Bulk Set number for assembled (kitted) sets.

Individual Shim	Thickness
DSCH053-M025	.25 mm
DSCH053-M050	.50 mm
DSCH053-M100	1.00 mm
DSCH053-M200	2.00 mm
DSCH053-E015	.015 inch
DSCH053-E032	.032 inch
DSCH053-E062	.062 inch

Bulk Set Thick Set Includes

DSCH053-M305	3.0mm	(0) 2.00mm, (2) 1.00mm, (1) .50mm, (2) .25mm
DSCH053-M454	4.5mm	(1) 2.00mm, (2) 1.00mm, (1) .50mm, (0) .25mm
DSCH053-M503	5.0MM	(2) 2.00Mmm (1) 1.00mm
DSCH053-M505	5.0mm	(1) 2.00mm, (2) 1.00mm, (2) .50mm, (0) .25mm
DSCH053-M506	5.0mm	(1) 2.00mm, (2) 1.00mm, (1) .50mm, (2) .25mm
DSCH053-M507	5.0mm	(1) 2.00mm, (1) 1.00mm, (3) .50mm, (2) .25mm
DSCH053-M605	6.0mm	(2) 2.00mm, (1) 1.00mm, (2) .50mm, (0) .25mm
DSCH053-M706	7.0mm	(2) 2.00mm, (2) 1.00mm, (2) .50mm, (0) .25mm
DSCH053-E255	.25 inch	(3) 0.062in, (2) 0.032in

DSCH054 Series Shims



Full Hard 1010 steel shim stock. Black Oxide finish on -M050, -M100 and -M200 thickness shims.

Add a **K** to the end of the Bulk Set number for assembled (kitted) sets.

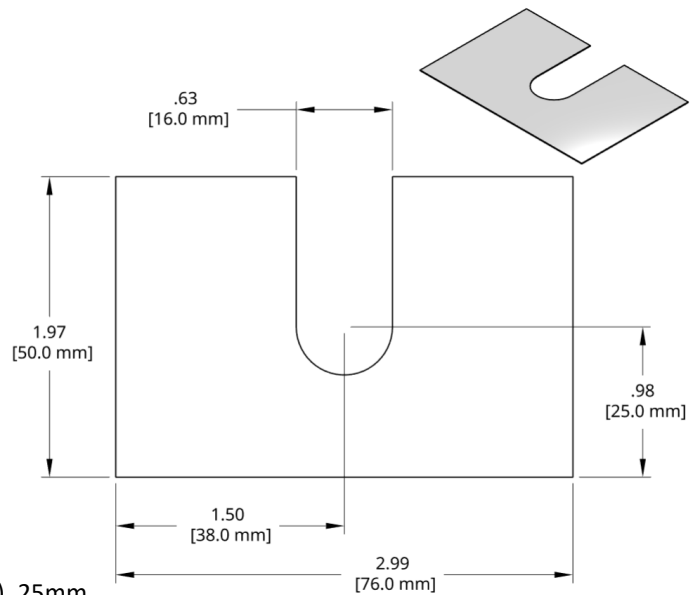
Individual Shims	Thickness
DSCH054-M025	.25 mm
DSCH054-M050	.50 mm
DSCH054-M100	1.00 mm
DSCH054-M200	2.00 mm
DSCH054-E015	.015 inch
DSCH054-E032	.032 inch
DSCH054-E062	.062 inch

Set Thick Set Includes

DSCH054-M305	3.0mm	(0) 2.00mm, (2) 1.00mm, (1) .50mm, (2) .25mm
DSCH054-M454	4.5mm	(1) 2.00mm, (2) 1.00mm, (1) .50mm, (0) .25mm
DSCH054-M503	5.0MM	(2) 2.00Mmm (1) 1.00mm
DSCH054-M505	5.0mm	(1) 2.00mm, (2) 1.00mm, (2) .50mm, (0) .25mm
DSCH054-M506	5.0mm	(1) 2.00mm, (2) 1.00mm, (1) .50mm, (2) .25mm
DSCH054-M507	5.0mm	(1) 2.00mm, (1) 1.00mm, (3) .50mm, (2) .25mm
DSCH054-M605	6.0mm	(2) 2.00mm, (1) 1.00mm, (2) .50mm, (0) .25mm
DSCH054-M706	7.0mm	(2) 2.00mm, (2) 1.00mm, (2) .50mm, (0) .25mm
DSCH054-E255	.25 inch	(3) 0.062in, (2) 0.032in

DSCH055 Series Shims

Individual Shim	Thickness
DSCH055-M025	.25 mm
DSCH055-M050	.50 mm
DSCH055-M100	1.00 mm
DSCH055-M200	2.00 mm
DSCH055-E015	.015 inch
DSCH055-E032	.032 inch
DSCH055-E062	.062 inch



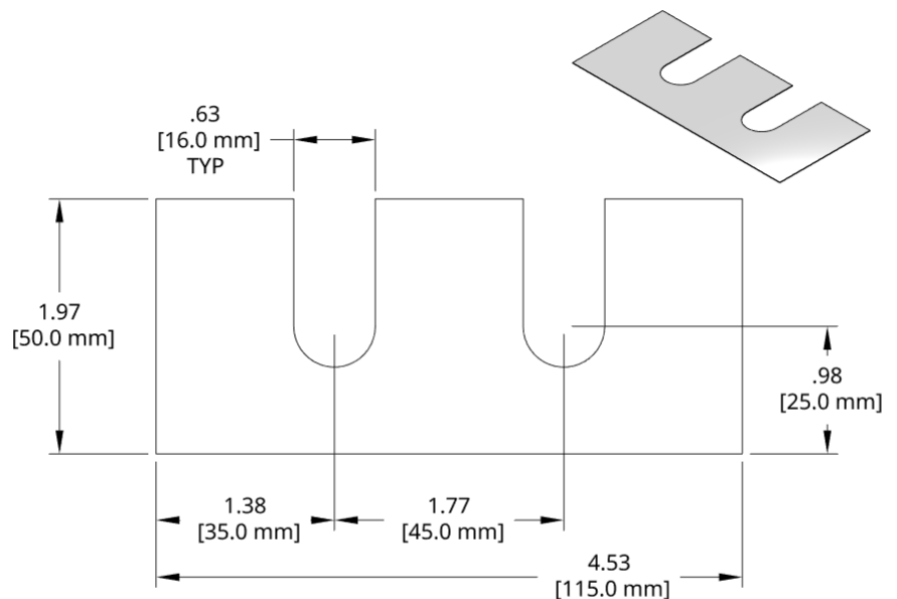
Full Hard 1010 steel shim stock. Black Oxide finish on -M050, -M100 and -M200 thickness shims.

Add a **K** to the end of the Bulk Set number for assembled (kitted) sets.

Bulk Set	Thick	Set Includes
DSCH055-M305	3.0mm	(0) 2.00mm, (2) 1.00mm, (1) .50mm, (2) .25mm
DSCH055-M454	4.5mm	(1) 2.00mm, (2) 1.00mm, (1) .50mm, (0) .25mm
DSCH055-M503	5.0MM	(2) 2.00Mmm (1) 1.00mm
DSCH055-M505	5.0mm	(1) 2.00mm, (2) 1.00mm, (2) .50mm, (0) .25mm
DSCH055-M506	5.0mm	(1) 2.00mm, (2) 1.00mm, (1) .50mm, (2) .25mm
DSCH055-M507	5.0mm	(1) 2.00mm, (1) 1.00mm, (3) .50mm, (2) .25mm
DSCH055-M605	6.0mm	(2) 2.00mm, (1) 1.00mm, (2) .50mm, (0) .25mm
DSCH055-M706	7.0mm	(2) 2.00mm, (2) 1.00mm, (2) .50mm, (0) .25mm
DSCH055-E255	.25 inch	(3) 0.062in, (2) 0.032in

DSCH056 Series Shims

Individual Shim	Thickness
DSCH056-M025	.25 mm
DSCH056-M050	.50 mm
DSCH056-M100	1.00 mm
DSCH056-M200	2.00 mm
DSCH056-E015	.015 inch
DSCH056-E032	.032 inch
DSCH056-E062	.062 inch

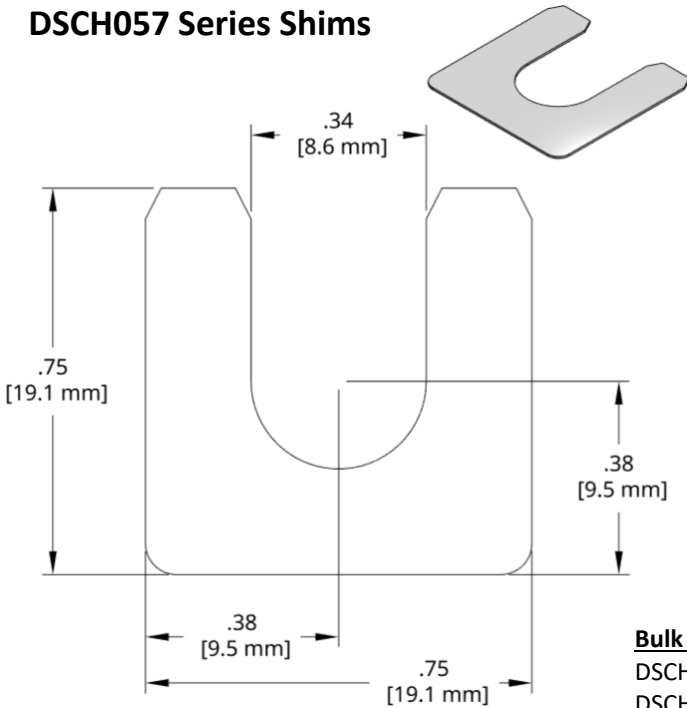


Full Hard 1010 steel shim stock. Black Oxide finish on -M050, -M100 and -M200 thickness shims.

Add a **K** to the end of the Bulk Set number for assembled (kitted) sets.

Bulk Set	Thick	Set Includes
DSCH056-M305	3.0mm	(0) 2.00mm, (2) 1.00mm, (1) .50mm, (2) .25mm
DSCH056-M454	4.5mm	(1) 2.00mm, (2) 1.00mm, (1) .50mm, (0) .25mm
DSCH056-M503	5.0MM	(2) 2.00Mmm (1) 1.00mm
DSCH056-M505	5.0mm	(1) 2.00mm, (2) 1.00mm, (2) .50mm, (0) .25mm
DSCH056-M506	5.0mm	(1) 2.00mm, (2) 1.00mm, (1) .50mm, (2) .25mm
DSCH056-M507	5.0mm	(1) 2.00mm, (1) 1.00mm, (3) .50mm, (2) .25mm
DSCH056-M605	6.0mm	(2) 2.00mm, (1) 1.00mm, (2) .50mm, (0) .25mm
DSCH056-M706	7.0mm	(2) 2.00mm, (2) 1.00mm, (2) .50mm, (0) .25mm
DSCH056-E255	.25 inch	(3) 0.062in, (2) 0.032in

DSCH057 Series Shims



Full Hard 1010 steel shim stock. Black Oxide finish on -M050, -M100 and -M200 thickness shims.

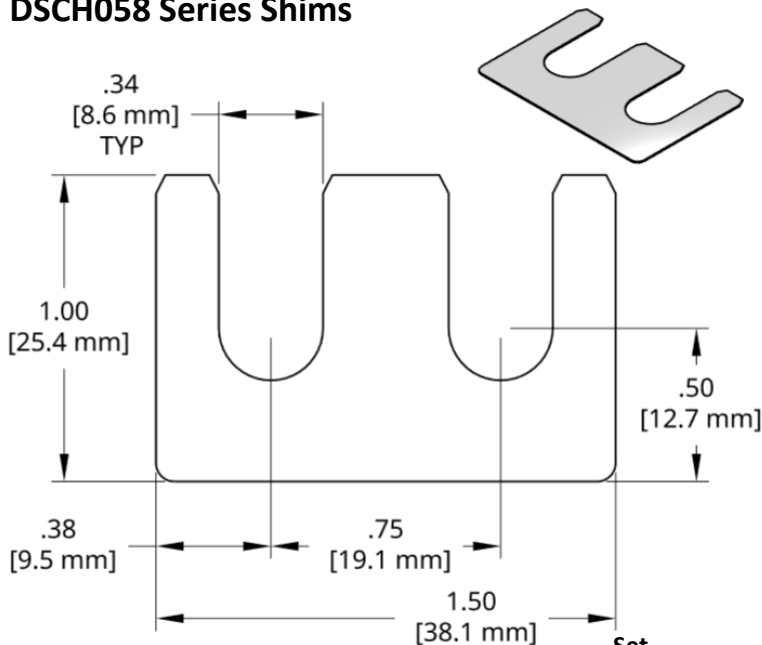
Add a **K** to the end of the Bulk Set number for assembled (kitted) sets.

Individual Shim	Thickness
DSCH057-M025	.25 mm
DSCH057-M050	.50 mm
DSCH057-M100	1.00 mm
DSCH057-M200	2.00 mm
DSCH057-E015	.015 inch
DSCH057-E032	.032 inch
DSCH057-E062	.062 inch

Bulk Set	Thick	Set Includes
----------	-------	--------------

DSCH057-M305	3.0mm	(0) 2.00mm, (2) 1.00mm, (1) .50mm, (2) .25mm
DSCH057-M454	4.5mm	(1) 2.00mm, (2) 1.00mm, (1) .50mm, (0) .25mm
DSCH057-M505	5.0mm	(1) 2.00mm, (2) 1.00mm, (2) .50mm, (0) .25mm
DSCH057-M506	5.0mm	(1) 2.00mm, (2) 1.00mm, (1) .50mm, (2) .25mm
DSCH057-M507	5.0mm	(1) 2.00mm, (1) 1.00mm, (3) .50mm, (2) .25mm
DSCH057-M605	6.0mm	(2) 2.00mm, (1) 1.00mm, (2) .50mm, (0) .25mm
DSCH057-M706	7.0mm	(2) 2.00mm, (2) 1.00mm, (2) .50mm, (0) .25mm
DSCH057-E255	.25 inch	(3) 0.062in, (2) 0.032in

DSCH058 Series Shims



Full Hard 1010 steel shim stock. Black Oxide finish on -M050, -M100 and -M200 thickness shims.

Add a **K** to the end of the Bulk Set number for assembled (kitted) sets.

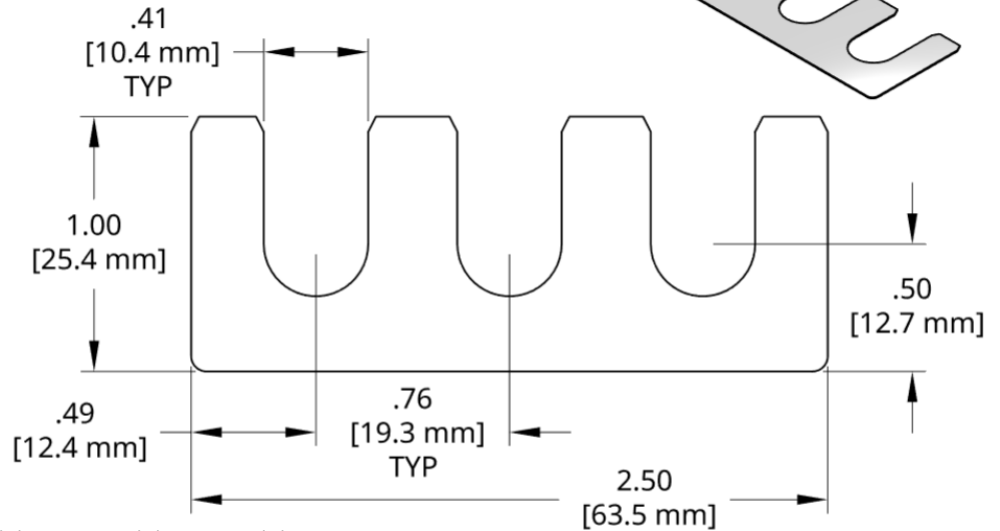
Individual Shims	Thickness
DSCH058-M025	.25 mm
DSCH058-M050	.50 mm
DSCH058-M100	1.00 mm
DSCH058-M200	2.00 mm
DSCH058-E015	.015 inch
DSCH058-E032	.032 inch
DSCH058-E062	.062 inch

Set	Thick	Set Includes
-----	-------	--------------

DSCH058-M305	3.0mm	(0) 2.00mm, (2) 1.00mm, (1) .50mm, (2) .25mm
DSCH058-M454	4.5mm	(1) 2.00mm, (2) 1.00mm, (1) .50mm, (0) .25mm
DSCH058-M505	5.0mm	(1) 2.00mm, (2) 1.00mm, (2) .50mm, (0) .25mm
DSCH058-M506	5.0mm	(1) 2.00mm, (2) 1.00mm, (1) .50mm, (2) .25mm
DSCH058-M507	5.0mm	(1) 2.00mm, (1) 1.00mm, (3) .50mm, (2) .25mm
DSCH058-M605	6.0mm	(2) 2.00mm, (1) 1.00mm, (2) .50mm, (0) .25mm
DSCH058-M706	7.0mm	(2) 2.00mm, (2) 1.00mm, (2) .50mm, (0) .25mm
DSCH058-E255	.25 inch	(3) 0.062in, (2) 0.032in

Individual Shim	Thickness
DSCH059-M025	.25 mm
DSCH059-M050	.50 mm
DSCH059-M100	1.00 mm
DSCH059-M200	2.00 mm
DSCH059-E015	.015 inch
DSCH059-E032	.032 inch
DSCH059-E062	.062 inch

DSCH059 Series Shims



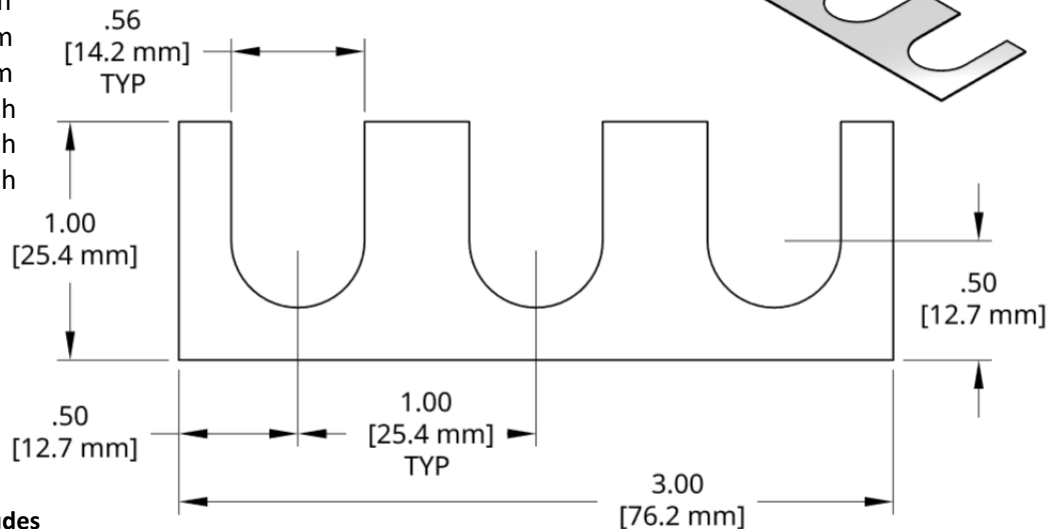
Bulk Set	Thick	Set Includes
DSCH059-M305	3.0mm	(0) 2.00mm, (2) 1.00mm, (1) .50mm, (2) .25mm
DSCH059-M454	4.5mm	(1) 2.00mm, (2) 1.00mm, (1) .50mm, (0) .25mm
DSCH059-M505	5.0mm	(1) 2.00mm, (2) 1.00mm, (2) .50mm, (0) .25mm
DSCH059-M506	5.0mm	(1) 2.00mm, (2) 1.00mm, (1) .50mm, (2) .25mm
DSCH059-M507	5.0mm	(1) 2.00mm, (1) 1.00mm, (3) .50mm, (2) .25mm
DSCH059-M605	6.0mm	(2) 2.00mm, (1) 1.00mm, (2) .50mm, (0) .25mm
DSCH059-M706	7.0mm	(2) 2.00mm, (2) 1.00mm, (2) .50mm, (0) .25mm
DSCH059-E255	.25 inch	(3) 0.062in, (2) 0.032in

Full Hard 1010 steel shim stock. Black Oxide finish on -M050, -M100 and -M200 thickness shims.

Add a **K** to the end of the Bulk Set number for assembled (kitted) sets.

Individual Shim	Thickness
DSCH060-M025	.25 mm
DSCH060-M050	.50 mm
DSCH060-M100	1.00 mm
DSCH060-M200	2.00 mm
DSCH060-E015	.015 inch
DSCH060-E032	.032 inch
DSCH060-E062	.062 inch

DSCH060 Series Shims



Bulk Set	Thick	Set Includes
DSCH060-M305	3.0mm	(0) 2.00mm, (2) 1.00mm, (1) .50mm, (2) .25mm
DSCH060-M454	4.5mm	(1) 2.00mm, (2) 1.00mm, (1) .50mm, (0) .25mm
DSCH060-M505	5.0mm	(1) 2.00mm, (2) 1.00mm, (2) .50mm, (0) .25mm
DSCH060-M506	5.0mm	(1) 2.00mm, (2) 1.00mm, (1) .50mm, (2) .25mm
DSCH060-M507	5.0mm	(1) 2.00mm, (1) 1.00mm, (3) .50mm, (2) .25mm
DSCH060-M605	6.0mm	(2) 2.00mm, (1) 1.00mm, (2) .50mm, (0) .25mm
DSCH060-M706	7.0mm	(2) 2.00mm, (2) 1.00mm, (2) .50mm, (0) .25mm
DSCH060-E255	.25 inch	(3) 0.062in, (2) 0.032in

Full Hard 1010 steel shim stock. Black Oxide finish on -M050, -M100 and -M200 thickness shims.

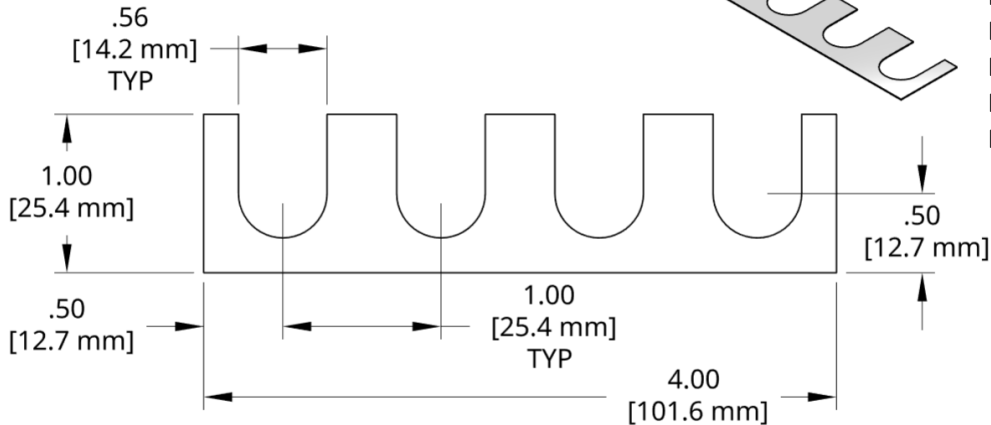
Add a **K** to the end of the Bulk Set number for assembled (kitted) sets.

DSCH061 Series Shims

Individual Shim

Thickness

DSCH061-M025	.25 mm
DSCH061-M050	.50 mm
DSCH061-M100	1.00 mm
DSCH061-M200	2.00 mm
DSCH061-E015	.015 inch
DSCH061-E032	.032 inch
DSCH061-E062	.062 inch



Full Hard 1010 steel shim stock. Black Oxide finish on -M050, -M100 and -M200 thickness shims.

Add a **K** to the end of the Bulk Set number for assembled (kitted) sets.

Bulk Set

Thick

Set Includes

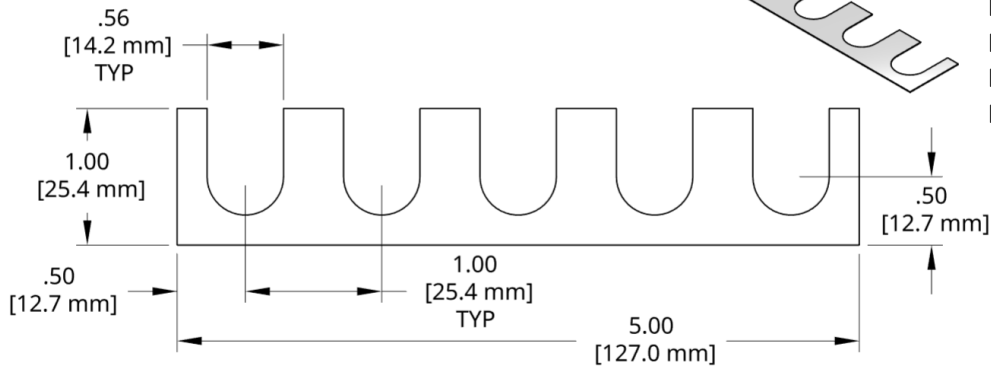
DSCH061-M305	3.0mm	(0) 2.00mm, (2) 1.00mm, (1) .50mm, (2) .25mm
DSCH061-M454	4.5mm	(1) 2.00mm, (2) 1.00mm, (1) .50mm, (0) .25mm
DSCH061-M505	5.0mm	(1) 2.00mm, (2) 1.00mm, (2) .50mm, (0) .25mm
DSCH061-M506	5.0mm	(1) 2.00mm, (2) 1.00mm, (1) .50mm, (2) .25mm
DSCH061-M507	5.0mm	(1) 2.00mm, (1) 1.00mm, (3) .50mm, (2) .25mm
DSCH061-M605	6.0mm	(2) 2.00mm, (1) 1.00mm, (2) .50mm, (0) .25mm
DSCH061-M706	7.0mm	(2) 2.00mm, (2) 1.00mm, (2) .50mm, (0) .25mm
DSCH061-E255	.25 inch	(3) 0.062in, (2) 0.032in

DSCH062 Series Shims

Individual Shims

Thickness

DSCH062-M025	.25 mm
DSCH062-M050	.50 mm
DSCH062-M100	1.00 mm
DSCH062-M200	2.00 mm
DSCH062-E015	.015 inch
DSCH062-E032	.032 inch
DSCH062-E062	.062 inch



Full Hard 1010 steel shim stock. Black Oxide finish on -M050, -M100 and -M200 thickness shims.

Add a **K** to the end of the Bulk Set number for assembled (kitted) sets.

Set

Thick

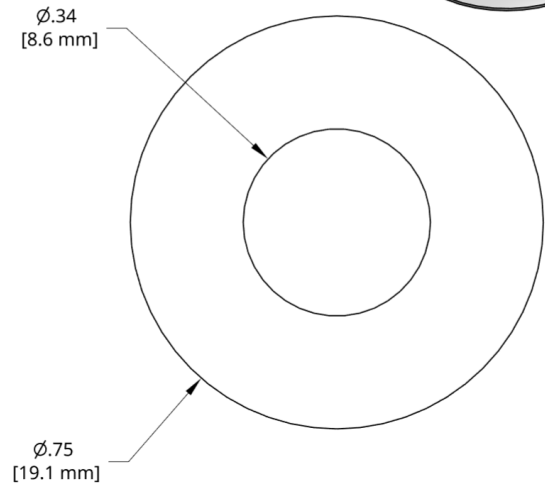
Set Includes

DSCH062-M305	3.0mm	(0) 2.00mm, (2) 1.00mm, (1) .50mm, (2) .25mm
DSCH062-M454	4.5mm	(1) 2.00mm, (2) 1.00mm, (1) .50mm, (0) .25mm
DSCH062-M505	5.0mm	(1) 2.00mm, (2) 1.00mm, (2) .50mm, (0) .25mm
DSCH062-M506	5.0mm	(1) 2.00mm, (2) 1.00mm, (1) .50mm, (2) .25mm
DSCH062-M507	5.0mm	(1) 2.00mm, (1) 1.00mm, (3) .50mm, (2) .25mm
DSCH062-M605	6.0mm	(2) 2.00mm, (1) 1.00mm, (2) .50mm, (0) .25mm
DSCH062-M706	7.0mm	(2) 2.00mm, (2) 1.00mm, (2) .50mm, (0) .25mm
DSCH062-E255	.25 inch	(3) 0.062in, (2) 0.032in

<u>Individual Shim</u>	<u>Thickness</u>
DSCH063-M025	.25 mm
DSCH063-M050	.50 mm
DSCH063-M100	1.00 mm
DSCH063-M200	2.00 mm
DSCH063-E015	.015 inch
DSCH063-E032	.032 inch
DSCH063-E062	.062 inch

<u>Bulk Set</u>	<u>Thick</u>	<u>Set Includes</u>
DSCH063-M305	3.0mm	(0) 2.00mm, (2) 1.00mm, (1) .50mm, (2) .25mm
DSCH063-M454	4.5mm	(1) 2.00mm, (2) 1.00mm, (1) .50mm, (0) .25mm
DSCH063-M505	5.0mm	(1) 2.00mm, (2) 1.00mm, (2) .50mm, (0) .25mm
DSCH063-M506	5.0mm	(1) 2.00mm, (2) 1.00mm, (1) .50mm, (2) .25mm
DSCH063-M507	5.0mm	(1) 2.00mm, (1) 1.00mm, (3) .50mm, (2) .25mm
DSCH063-M605	6.0mm	(2) 2.00mm, (1) 1.00mm, (2) .50mm, (0) .25mm
DSCH063-M706	7.0mm	(2) 2.00mm, (2) 1.00mm, (2) .50mm, (0) .25mm
DSCH063-E255	.25 inch	(3) 0.062in, (2) 0.032in

DSCH063 Series Shims



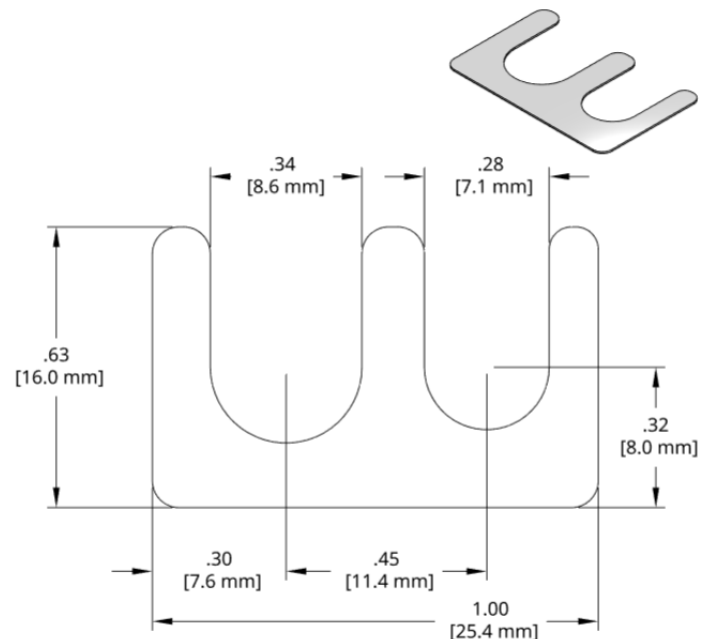
Full Hard 1010 steel shim stock. Black Oxide finish on -M050, -M100 and -M200 thickness shims.

Add a **K** to the end of the Bulk Set number for assembled (kitted) sets.

<u>Individual Shim</u>	<u>Thickness</u>
DSCH064-M025	.25 mm
DSCH064-M050	.50 mm
DSCH064-M100	1.00 mm
DSCH064-M200	2.00 mm
DSCH064-E015	.015 inch
DSCH064-E032	.032 inch
DSCH064-E062	.062 inch

<u>Bulk Set</u>	<u>Thick</u>	<u>Set Includes</u>
DSCH064-M305	3.0mm	(0) 2.00mm, (2) 1.00mm, (1) .50mm, (2) .25mm
DSCH064-M454	4.5mm	(1) 2.00mm, (2) 1.00mm, (1) .50mm, (0) .25mm
DSCH064-M505	5.0mm	(1) 2.00mm, (2) 1.00mm, (2) .50mm, (0) .25mm
DSCH064-M506	5.0mm	(1) 2.00mm, (2) 1.00mm, (1) .50mm, (2) .25mm
DSCH064-M507	5.0mm	(1) 2.00mm, (1) 1.00mm, (3) .50mm, (2) .25mm
DSCH064-M605	6.0mm	(2) 2.00mm, (1) 1.00mm, (2) .50mm, (0) .25mm
DSCH064-M706	7.0mm	(2) 2.00mm, (2) 1.00mm, (2) .50mm, (0) .25mm
DSCH064-E255	.25 inch	(3) 0.062in, (2) 0.032in

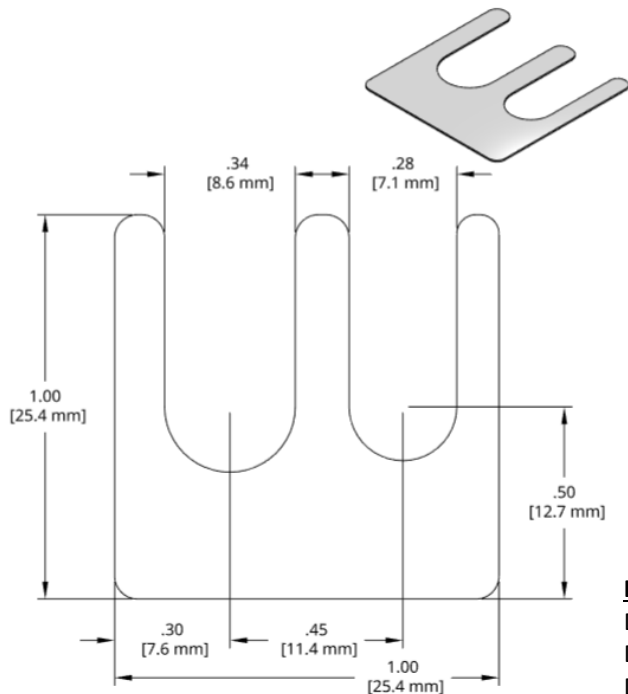
DSCH064 Series Shims



Full Hard 1010 steel shim stock. Black Oxide finish on -M050, -M100 and -M200 thickness shims.

Add a **K** to the end of the Bulk Set number for assembled (kitted) sets.

DSCH065 Series Shims



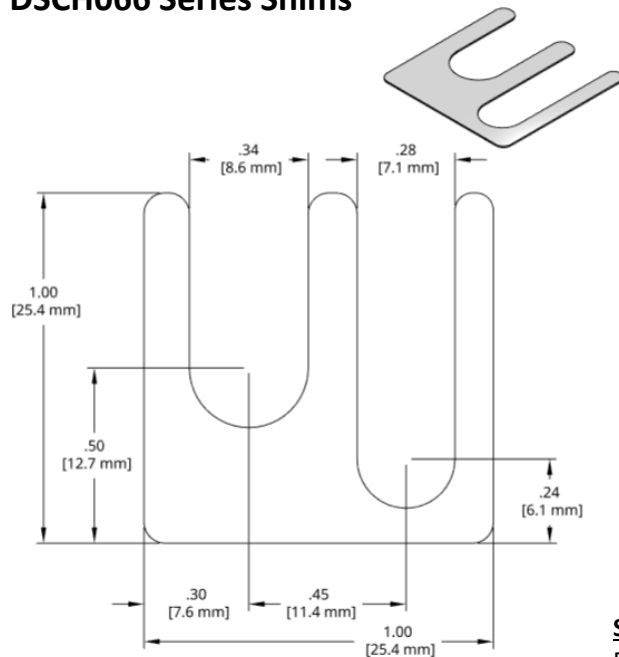
Full Hard 1010 steel shim stock. Black Oxide finish on -M050, -M100 and -M200 thickness shims.

Add a K to the end of the Bulk Set number for assembled (kitted) sets.

Individual Shim	Thickness
DSCH065-M025	.25 mm
DSCH065-M050	.50 mm
DSCH065-M100	1.00 mm
DSCH065-M200	2.00 mm
DSCH065-E015	.015 inch
DSCH065-E032	.032 inch
DSCH065-E062	.062 inch

Bulk Set	Thick	Set Includes
DSCH065-M305	3.0mm	(0) 2.00mm, (2) 1.00mm, (1) .50mm, (2) .25mm
DSCH065-M454	4.5mm	(1) 2.00mm, (2) 1.00mm, (1) .50mm, (0) .25mm
DSCH065-M505	5.0mm	(1) 2.00mm, (2) 1.00mm, (2) .50mm, (0) .25mm
DSCH065-M506	5.0mm	(1) 2.00mm, (2) 1.00mm, (1) .50mm, (2) .25mm
DSCH065-M507	5.0mm	(1) 2.00mm, (1) 1.00mm, (3) .50mm, (2) .25mm
DSCH065-M605	6.0mm	(2) 2.00mm, (1) 1.00mm, (2) .50mm, (0) .25mm
DSCH065-M706	7.0mm	(2) 2.00mm, (2) 1.00mm, (2) .50mm, (0) .25mm
DSCH065-E255	.25 inch	(3) 0.062in, (2) 0.032in

DSCH066 Series Shims



Full Hard 1010 steel shim stock. Black Oxide finish on -M050, -M100 and -M200 thickness shims.

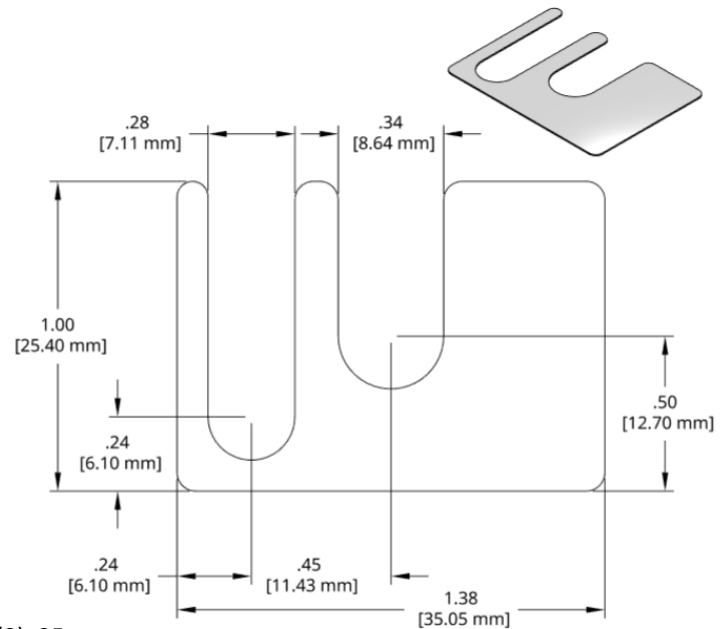
Add a K to the end of the Bulk Set number for assembled (kitted) sets.

Individual Shims	Thickness
DSCH066-M025	.25 mm
DSCH066-M050	.50 mm
DSCH066-M100	1.00 mm
DSCH066-M200	2.00 mm
DSCH066-E015	.015 inch
DSCH066-E032	.032 inch
DSCH066-E062	.062 inch

Set	Thick	Set Includes
DSCH066-M305	3.0mm	(0) 2.00mm, (2) 1.00mm, (1) .50mm, (2) .25mm
DSCH066-M454	4.5mm	(1) 2.00mm, (2) 1.00mm, (1) .50mm, (0) .25mm
DSCH066-M505	5.0mm	(1) 2.00mm, (2) 1.00mm, (2) .50mm, (0) .25mm
DSCH066-M506	5.0mm	(1) 2.00mm, (2) 1.00mm, (1) .50mm, (2) .25mm
DSCH066-M507	5.0mm	(1) 2.00mm, (1) 1.00mm, (3) .50mm, (2) .25mm
DSCH066-M605	6.0mm	(2) 2.00mm, (1) 1.00mm, (2) .50mm, (0) .25mm
DSCH066-M706	7.0mm	(2) 2.00mm, (2) 1.00mm, (2) .50mm, (0) .25mm
DSCH066-E255	.25 inch	(3) 0.062in, (2) 0.032in

DSCH067 Series Shims

Individual Shim	Thickness
DSCH067-M025	.25 mm
DSCH067-M050	.50 mm
DSCH067-M100	1.00 mm
DSCH067-M200	2.00 mm
DSCH067-E015	.015 inch
DSCH067-E032	.032 inch
DSCH067-E062	.062 inch



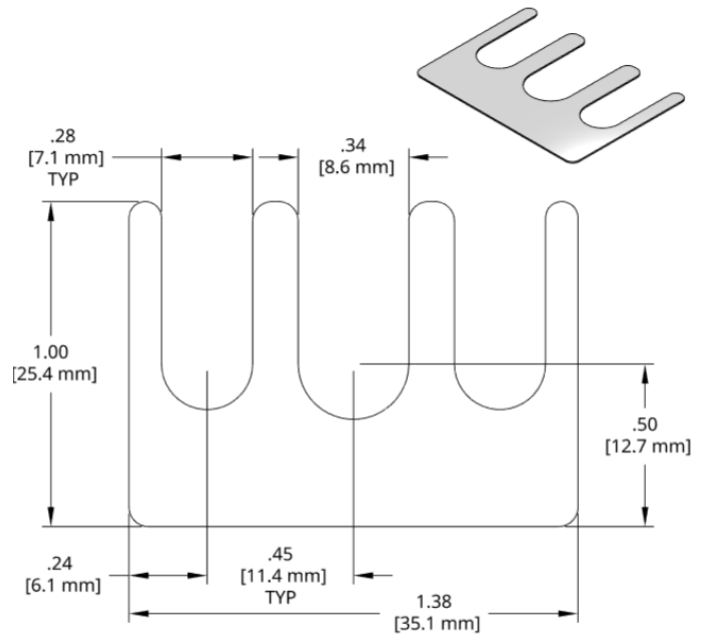
Full Hard 1010 steel shim stock. Black Oxide finish on -M050, -M100 and -M200 thickness shims.

Add a **K** to the end of the Bulk Set number for assembled (kitted) sets.

Bulk Set	Thick	Set Includes
DSCH067-M305	3.0mm	(0) 2.00mm, (2) 1.00mm, (1) .50mm, (2) .25mm
DSCH067-M454	4.5mm	(1) 2.00mm, (2) 1.00mm, (1) .50mm, (0) .25mm
DSCH067-M505	5.0mm	(1) 2.00mm, (2) 1.00mm, (2) .50mm, (0) .25mm
DSCH067-M506	5.0mm	(1) 2.00mm, (2) 1.00mm, (1) .50mm, (2) .25mm
DSCH067-M507	5.0mm	(1) 2.00mm, (1) 1.00mm, (3) .50mm, (2) .25mm
DSCH067-M605	6.0mm	(2) 2.00mm, (1) 1.00mm, (2) .50mm, (0) .25mm
DSCH067-M706	7.0mm	(2) 2.00mm, (2) 1.00mm, (2) .50mm, (0) .25mm
DSCH067-E255	.25 inch	(3) 0.062in, (2) 0.032in

DSCH068 Series Shims

Individual Shim	Thickness
DSCH068-M025	.25 mm
DSCH068-M050	.50 mm
DSCH068-M100	1.00 mm
DSCH068-M200	2.00 mm
DSCH068-E015	.015 inch
DSCH068-E032	.032 inch
DSCH068-E062	.062 inch

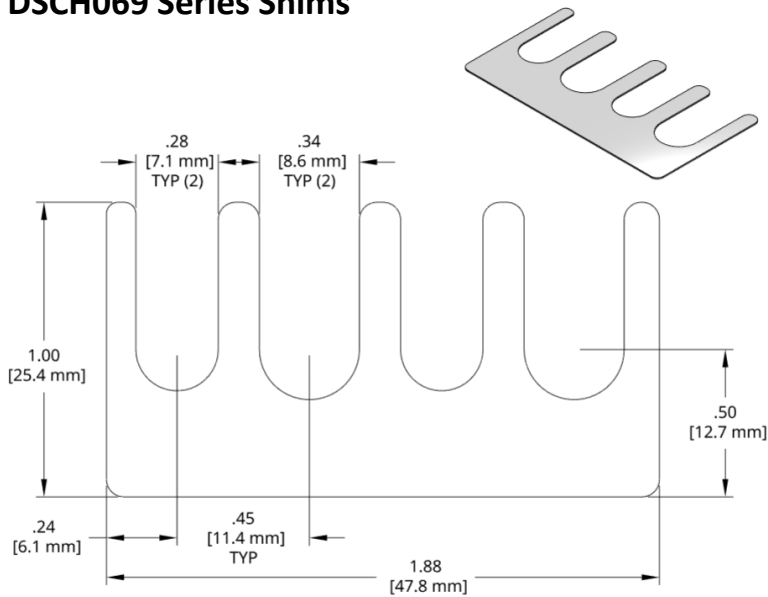


Full Hard 1010 steel shim stock. Black Oxide finish on -M050, -M100 and -M200 thickness shims.

Add a **K** to the end of the Bulk Set number for assembled (kitted) sets.

Bulk Set	Thick	Set Includes
DSCH068-M305	3.0mm	(0) 2.00mm, (2) 1.00mm, (1) .50mm, (2) .25mm
DSCH068-M454	4.5mm	(1) 2.00mm, (2) 1.00mm, (1) .50mm, (0) .25mm
DSCH068-M505	5.0mm	(1) 2.00mm, (2) 1.00mm, (2) .50mm, (0) .25mm
DSCH068-M506	5.0mm	(1) 2.00mm, (2) 1.00mm, (1) .50mm, (2) .25mm
DSCH068-M507	5.0mm	(1) 2.00mm, (1) 1.00mm, (3) .50mm, (2) .25mm
DSCH068-M605	6.0mm	(2) 2.00mm, (1) 1.00mm, (2) .50mm, (0) .25mm
DSCH068-M706	7.0mm	(2) 2.00mm, (2) 1.00mm, (2) .50mm, (0) .25mm
DSCH068-E255	.25 inch	(3) 0.062in, (2) 0.032in

DSCH069 Series Shims



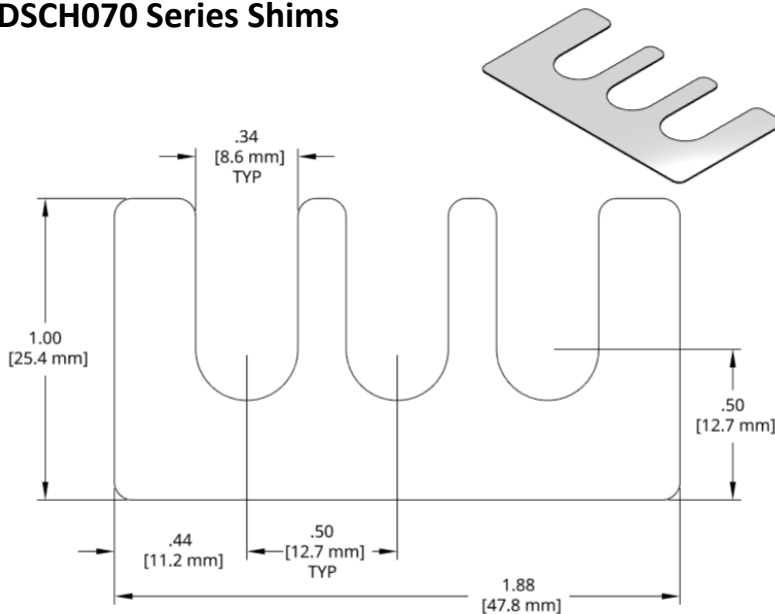
Individual Shim	Thickness
DSCH069-M025	.25 mm
DSCH069-M050	.50 mm
DSCH069-M100	1.00 mm
DSCH069-M200	2.00 mm
DSCH069-E015	.015 inch
DSCH069-E032	.032 inch
DSCH069-E062	.062 inch

Full Hard 1010 steel shim stock. Black Oxide finish on -M050, -M100 and -M200 thickness shims.

Add a **K** to the end of the Bulk Set number for assembled (kitted) sets.

Bulk Set	Thick	Set Includes
DSCH069-M305	3.0mm	(0) 2.00mm, (2) 1.00mm, (1) .50mm, (2) .25mm
DSCH069-M454	4.5mm	(1) 2.00mm, (2) 1.00mm, (1) .50mm, (0) .25mm
DSCH069-M505	5.0mm	(1) 2.00mm, (2) 1.00mm, (2) .50mm, (0) .25mm
DSCH069-M506	5.0mm	(1) 2.00mm, (2) 1.00mm, (1) .50mm, (2) .25mm
DSCH069-M507	5.0mm	(1) 2.00mm, (1) 1.00mm, (3) .50mm, (2) .25mm
DSCH069-M605	6.0mm	(2) 2.00mm, (1) 1.00mm, (2) .50mm, (0) .25mm
DSCH069-M706	7.0mm	(2) 2.00mm, (2) 1.00mm, (2) .50mm, (0) .25mm
DSCH069-E255	.25 inch	(3) 0.062in, (2) 0.032in

DSCH070 Series Shims



Individual Shims	Thickness
DSCH070-M025	.25 mm
DSCH070-M050	.50 mm
DSCH070-M100	1.00 mm
DSCH070-M200	2.00 mm
DSCH070-E015	.015 inch
DSCH070-E032	.032 inch
DSCH070-E062	.062 inch

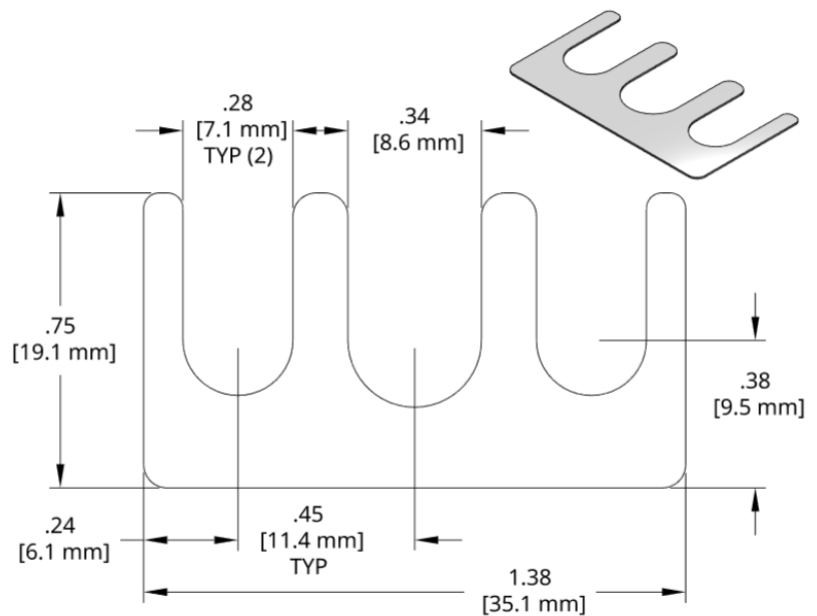
Full Hard 1010 steel shim stock. Black Oxide finish on -M050, -M100 and -M200 thickness shims.

Add a **K** to the end of the Bulk Set number for assembled (kitted) sets.

Set	Thick	Set Includes
DSCH070-M305	3.0mm	(0) 2.00mm, (2) 1.00mm, (1) .50mm, (2) .25mm
DSCH070-M454	4.5mm	(1) 2.00mm, (2) 1.00mm, (1) .50mm, (0) .25mm
DSCH070-M505	5.0mm	(1) 2.00mm, (2) 1.00mm, (2) .50mm, (0) .25mm
DSCH070-M506	5.0mm	(1) 2.00mm, (2) 1.00mm, (1) .50mm, (2) .25mm
DSCH070-M507	5.0mm	(1) 2.00mm, (1) 1.00mm, (3) .50mm, (2) .25mm
DSCH070-M605	6.0mm	(2) 2.00mm, (1) 1.00mm, (2) .50mm, (0) .25mm
DSCH070-M706	7.0mm	(2) 2.00mm, (2) 1.00mm, (2) .50mm, (0) .25mm
DSCH070-E255	.25 inch	(3) 0.062in, (2) 0.032in

Individual Shim	Thickness
DSCH071-M025	.25 mm
DSCH071-M050	.50 mm
DSCH071-M100	1.00 mm
DSCH071-M200	2.00 mm
DSCH071-E015	.015 inch
DSCH071-E032	.032 inch
DSCH071-E062	.062 inch

DSCH071 Series Shims



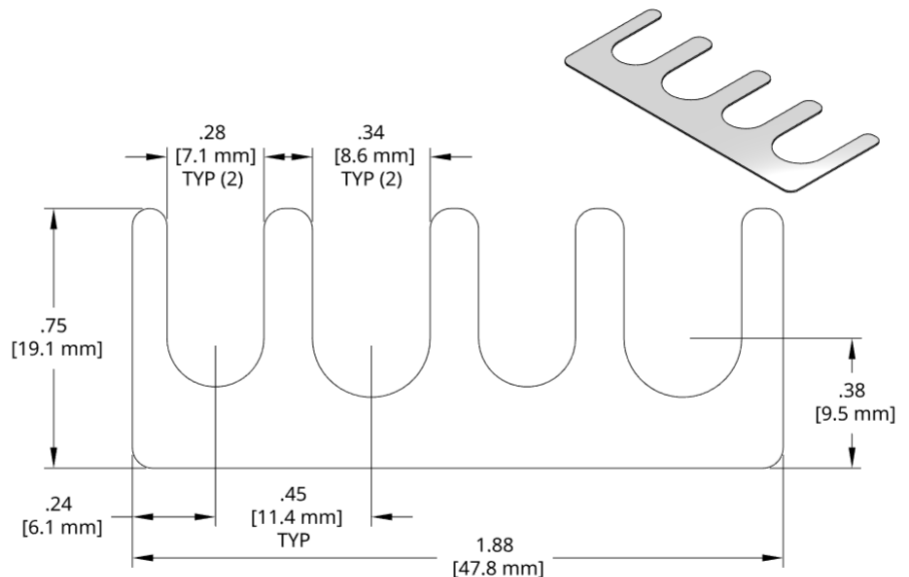
Bulk Set	Thick	Set Includes
DSCH071-M305	3.0mm	(0) 2.00mm, (2) 1.00mm, (1) .50mm, (2) .25mm
DSCH071-M454	4.5mm	(1) 2.00mm, (2) 1.00mm, (1) .50mm, (0) .25mm
DSCH071-M505	5.0mm	(1) 2.00mm, (2) 1.00mm, (2) .50mm, (0) .25mm
DSCH071-M506	5.0mm	(1) 2.00mm, (2) 1.00mm, (1) .50mm, (2) .25mm
DSCH071-M507	5.0mm	(1) 2.00mm, (1) 1.00mm, (3) .50mm, (2) .25mm
DSCH071-M605	6.0mm	(2) 2.00mm, (1) 1.00mm, (2) .50mm, (0) .25mm
DSCH071-M706	7.0mm	(2) 2.00mm, (2) 1.00mm, (2) .50mm, (0) .25mm
DSCH071-E255	.25 inch	(3) 0.062in, (2) 0.032in

Full Hard 1010 steel shim stock. Black Oxide finish on -M050, -M100 and -M200 thickness shims.

Add a **K** to the end of the Bulk Set number for assembled (kitted) sets.

Individual Shim	Thickness
DSCH072-M025	.25 mm
DSCH072-M050	.50 mm
DSCH072-M100	1.00 mm
DSCH072-M200	2.00 mm
DSCH072-E015	.015 inch
DSCH072-E032	.032 inch
DSCH072-E062	.062 inch

DSCH072 Series Shims

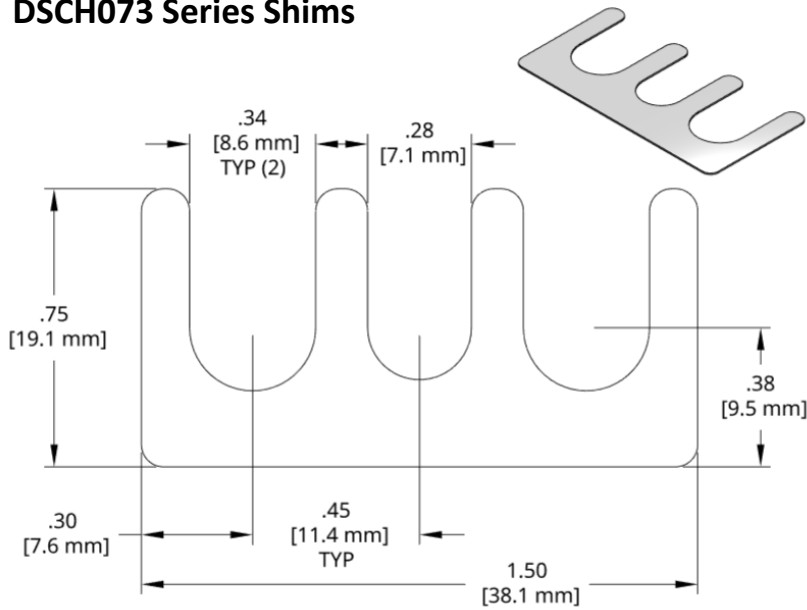


Bulk Set	Thick	Set Includes
DSCH072-M305	3.0mm	(0) 2.00mm, (2) 1.00mm, (1) .50mm, (2) .25mm
DSCH072-M454	4.5mm	(1) 2.00mm, (2) 1.00mm, (1) .50mm, (0) .25mm
DSCH072-M505	5.0mm	(1) 2.00mm, (2) 1.00mm, (2) .50mm, (0) .25mm
DSCH072-M506	5.0mm	(1) 2.00mm, (2) 1.00mm, (1) .50mm, (2) .25mm
DSCH072-M507	5.0mm	(1) 2.00mm, (1) 1.00mm, (3) .50mm, (2) .25mm
DSCH072-M605	6.0mm	(2) 2.00mm, (1) 1.00mm, (2) .50mm, (0) .25mm
DSCH072-M706	7.0mm	(2) 2.00mm, (2) 1.00mm, (2) .50mm, (0) .25mm
DSCH072-E255	.25 inch	(3) 0.062in, (2) 0.032in

Full Hard 1010 steel shim stock. Black Oxide finish on -M050, -M100 and -M200 thickness shims.

Add a **K** to the end of the Bulk Set number for assembled (kitted) sets.

DSCH073 Series Shims



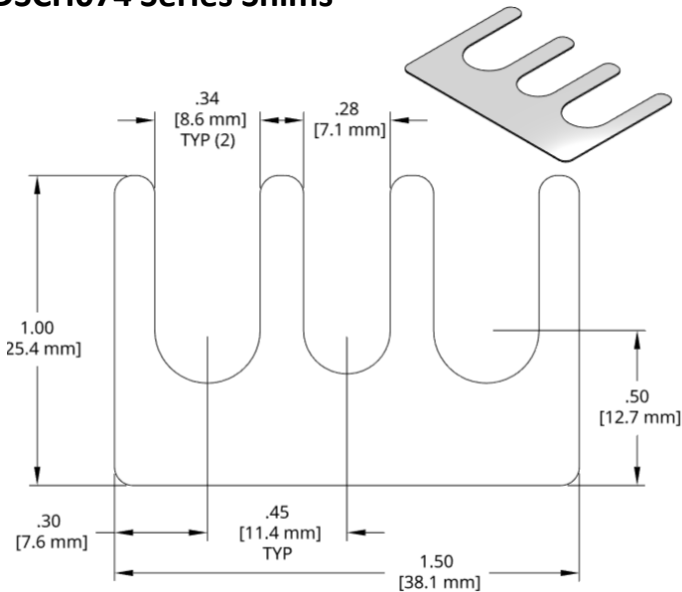
Individual Shim	Thickness
DSCH073-M025	.25 mm
DSCH073-M050	.50 mm
DSCH073-M100	1.00 mm
DSCH073-M200	2.00 mm
DSCH073-E015	.015 inch
DSCH073-E032	.032 inch
DSCH073-E062	.062 inch

Full Hard 1010 steel shim stock. Black Oxide finish on -M050, -M100 and -M200 thickness shims.

Add a **K** to the end of the Bulk Set number for assembled (kitted) sets.

Bulk Set	Thick	Set Includes
DSCH073-M305	3.0mm	(0) 2.00mm, (2) 1.00mm, (1) .50mm, (2) .25mm
DSCH073-M454	4.5mm	(1) 2.00mm, (2) 1.00mm, (1) .50mm, (0) .25mm
DSCH073-M505	5.0mm	(1) 2.00mm, (2) 1.00mm, (2) .50mm, (0) .25mm
DSCH073-M506	5.0mm	(1) 2.00mm, (2) 1.00mm, (1) .50mm, (2) .25mm
DSCH073-M507	5.0mm	(1) 2.00mm, (1) 1.00mm, (3) .50mm, (2) .25mm
DSCH073-M605	6.0mm	(2) 2.00mm, (1) 1.00mm, (2) .50mm, (0) .25mm
DSCH073-M706	7.0mm	(2) 2.00mm, (2) 1.00mm, (2) .50mm, (0) .25mm
DSCH073-E255	.25 inch	(3) 0.062in, (2) 0.032in

DSCH074 Series Shims



Individual Shims	Thickness
DSCH074-M025	.25 mm
DSCH074-M050	.50 mm
DSCH074-M100	1.00 mm
DSCH074-M200	2.00 mm
DSCH074-E015	.015 inch
DSCH074-E032	.032 inch
DSCH074-E062	.062 inch

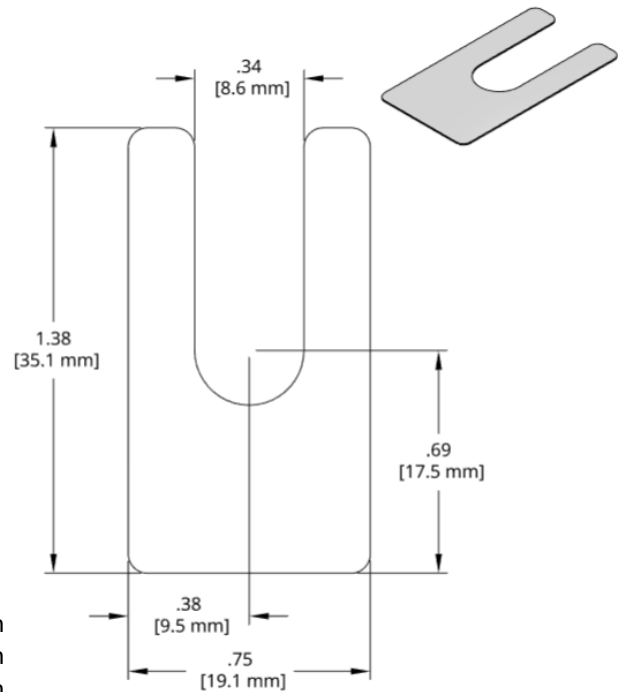
Full Hard 1010 steel shim stock. Black Oxide finish on -M050, -M100 and -M200 thickness shims.

Add a **K** to the end of the Bulk Set number for assembled (kitted) sets.

Set	Thick	Set Includes
DSCH074-M305	3.0mm	(0) 2.00mm, (2) 1.00mm, (1) .50mm, (2) .25mm
DSCH074-M454	4.5mm	(1) 2.00mm, (2) 1.00mm, (1) .50mm, (0) .25mm
DSCH074-M505	5.0mm	(1) 2.00mm, (2) 1.00mm, (2) .50mm, (0) .25mm
DSCH074-M506	5.0mm	(1) 2.00mm, (2) 1.00mm, (1) .50mm, (2) .25mm
DSCH074-M507	5.0mm	(1) 2.00mm, (1) 1.00mm, (3) .50mm, (2) .25mm
DSCH074-M605	6.0mm	(2) 2.00mm, (1) 1.00mm, (2) .50mm, (0) .25mm
DSCH074-M706	7.0mm	(2) 2.00mm, (2) 1.00mm, (2) .50mm, (0) .25mm
DSCH074-E255	.25 inch	(3) 0.062in, (2) 0.032in

DSCH075 Series Shims

Individual Shim	Thickness
DSCH075-M025	.25 mm
DSCH075-M050	.50 mm
DSCH075-M100	1.00 mm
DSCH075-M200	2.00 mm
DSCH075-E015	.015 inch
DSCH075-E032	.032 inch
DSCH075-E062	.062 inch



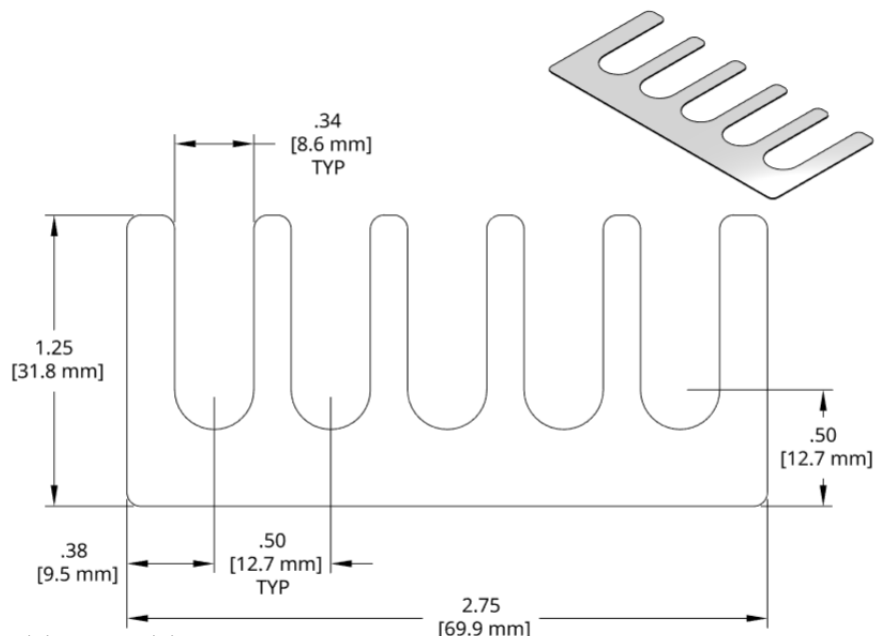
Full Hard 1010 steel shim stock. Black Oxide finish on -M050, -M100 and -M200 thickness shims.

Add a **K** to the end of the Bulk Set number for assembled (kitted) sets.

Bulk Set	Thick	Set Includes
DSCH075-M305	3.0mm	(0) 2.00mm, (2) 1.00mm, (1) .50mm, (2) .25mm
DSCH075-M454	4.5mm	(1) 2.00mm, (2) 1.00mm, (1) .50mm, (0) .25mm
DSCH075-M505	5.0mm	(1) 2.00mm, (2) 1.00mm, (2) .50mm, (0) .25mm
DSCH075-M506	5.0mm	(1) 2.00mm, (2) 1.00mm, (1) .50mm, (2) .25mm
DSCH075-M507	5.0mm	(1) 2.00mm, (1) 1.00mm, (3) .50mm, (2) .25mm
DSCH075-M605	6.0mm	(2) 2.00mm, (1) 1.00mm, (2) .50mm, (0) .25mm
DSCH075-M706	7.0mm	(2) 2.00mm, (2) 1.00mm, (2) .50mm, (0) .25mm
DSCH075-E255	.25 inch	(3) 0.062in, (2) 0.032in

DSCH076 Series Shims

Individual Shim	Thickness
DSCH076-M025	.25 mm
DSCH076-M050	.50 mm
DSCH076-M100	1.00 mm
DSCH076-M200	2.00 mm
DSCH076-E015	.015 inch
DSCH076-E032	.032 inch
DSCH076-E062	.062 inch

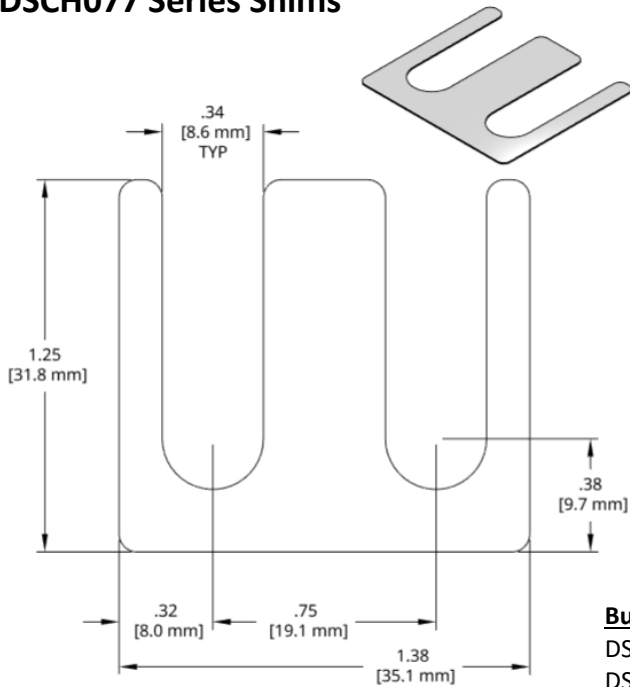


Full Hard 1010 steel shim stock. Black Oxide finish on -M050, -M100 and -M200 thickness shims.

Add a **K** to the end of the Bulk Set number for assembled (kitted) sets.

Bulk Set	Thick	Set Includes
DSCH076-M305	3.0mm	(0) 2.00mm, (2) 1.00mm, (1) .50mm, (2) .25mm
DSCH076-M454	4.5mm	(1) 2.00mm, (2) 1.00mm, (1) .50mm, (0) .25mm
DSCH076-M505	5.0mm	(1) 2.00mm, (2) 1.00mm, (2) .50mm, (0) .25mm
DSCH076-M506	5.0mm	(1) 2.00mm, (2) 1.00mm, (1) .50mm, (2) .25mm
DSCH076-M507	5.0mm	(1) 2.00mm, (1) 1.00mm, (3) .50mm, (2) .25mm
DSCH076-M605	6.0mm	(2) 2.00mm, (1) 1.00mm, (2) .50mm, (0) .25mm
DSCH076-M706	7.0mm	(2) 2.00mm, (2) 1.00mm, (2) .50mm, (0) .25mm
DSCH076-E255	.25 inch	(3) 0.062in, (2) 0.032in

DSCH077 Series Shims



Full Hard 1010 steel shim stock. Black Oxide finish on -M050, -M100 and -M200 thickness shims.

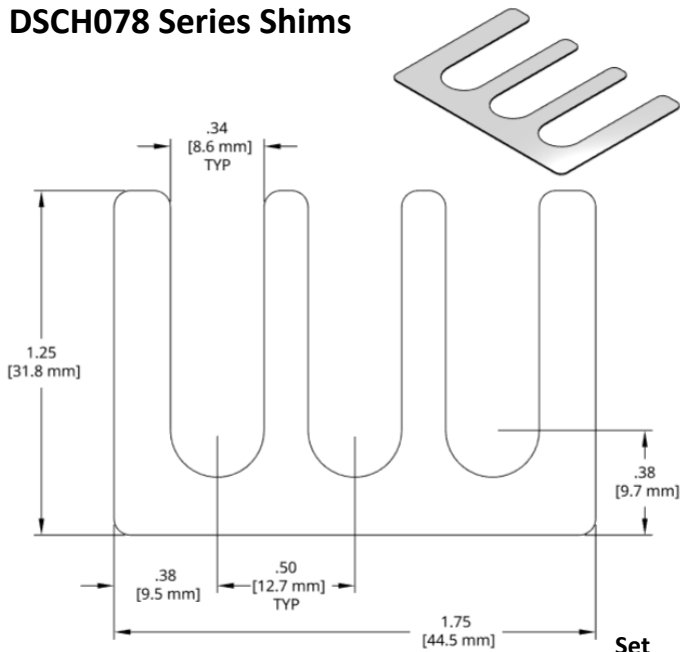
Add a **K** to the end of the Bulk Set number for assembled (kitted) sets.

Individual Shim	Thickness
DSCH077-M025	.25 mm
DSCH077-M050	.50 mm
DSCH077-M100	1.00 mm
DSCH077-M200	2.00 mm
DSCH077-E015	.015 inch
DSCH077-E032	.032 inch
DSCH077-E062	.062 inch

Bulk Set Thick Set Includes

Bulk Set	Thick	Set Includes
DSCH077-M305	3.0mm	(0) 2.00mm, (2) 1.00mm, (1) .50mm, (2) .25mm
DSCH077-M454	4.5mm	(1) 2.00mm, (2) 1.00mm, (1) .50mm, (0) .25mm
DSCH077-M505	5.0mm	(1) 2.00mm, (2) 1.00mm, (2) .50mm, (0) .25mm
DSCH077-M506	5.0mm	(1) 2.00mm, (2) 1.00mm, (1) .50mm, (2) .25mm
DSCH077-M507	5.0mm	(1) 2.00mm, (1) 1.00mm, (3) .50mm, (2) .25mm
DSCH077-M605	6.0mm	(2) 2.00mm, (1) 1.00mm, (2) .50mm, (0) .25mm
DSCH077-M706	7.0mm	(2) 2.00mm, (2) 1.00mm, (2) .50mm, (0) .25mm
DSCH077-E255	.25 inch	(3) 0.062in, (2) 0.032in

DSCH078 Series Shims



Full Hard 1010 steel shim stock. Black Oxide finish on -M050, -M100 and -M200 thickness shims.

Add a **K** to the end of the Bulk Set number for assembled (kitted) sets.

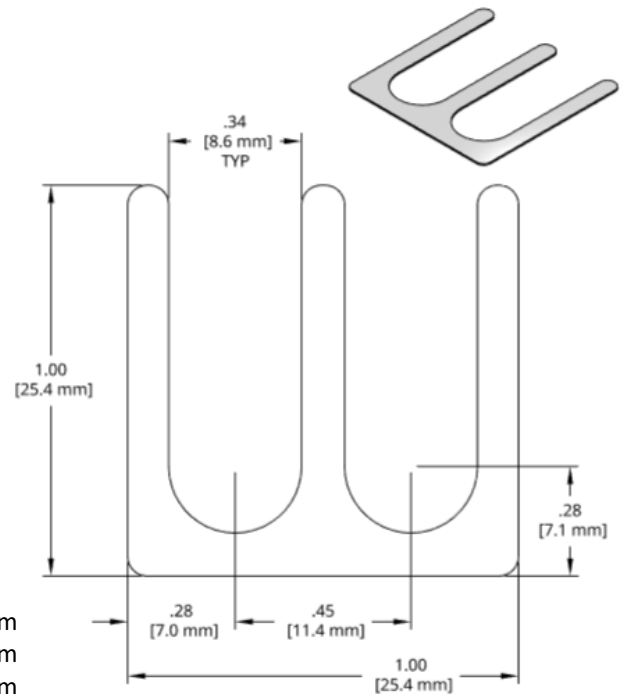
Individual Shims	Thickness
DSCH078-M025	.25 mm
DSCH078-M050	.50 mm
DSCH078-M100	1.00 mm
DSCH078-M200	2.00 mm
DSCH078-E015	.015 inch
DSCH078-E032	.032 inch
DSCH078-E062	.062 inch

Set Thick Set Includes

Set	Thick	Set Includes
DSCH078-M305	3.0mm	(0) 2.00mm, (2) 1.00mm, (1) .50mm, (2) .25mm
DSCH078-M454	4.5mm	(1) 2.00mm, (2) 1.00mm, (1) .50mm, (0) .25mm
DSCH078-M505	5.0mm	(1) 2.00mm, (2) 1.00mm, (2) .50mm, (0) .25mm
DSCH078-M506	5.0mm	(1) 2.00mm, (2) 1.00mm, (1) .50mm, (2) .25mm
DSCH078-M507	5.0mm	(1) 2.00mm, (1) 1.00mm, (3) .50mm, (2) .25mm
DSCH078-M605	6.0mm	(2) 2.00mm, (1) 1.00mm, (2) .50mm, (0) .25mm
DSCH078-M706	7.0mm	(2) 2.00mm, (2) 1.00mm, (2) .50mm, (0) .25mm
DSCH078-E255	.25 inch	(3) 0.062in, (2) 0.032in

DSCH079 Series Shims

Individual Shim	Thickness
DSCH079-M025	.25 mm
DSCH079-M050	.50 mm
DSCH079-M100	1.00 mm
DSCH079-M200	2.00 mm
DSCH079-E015	.015 inch
DSCH079-E032	.032 inch
DSCH079-E062	.062 inch



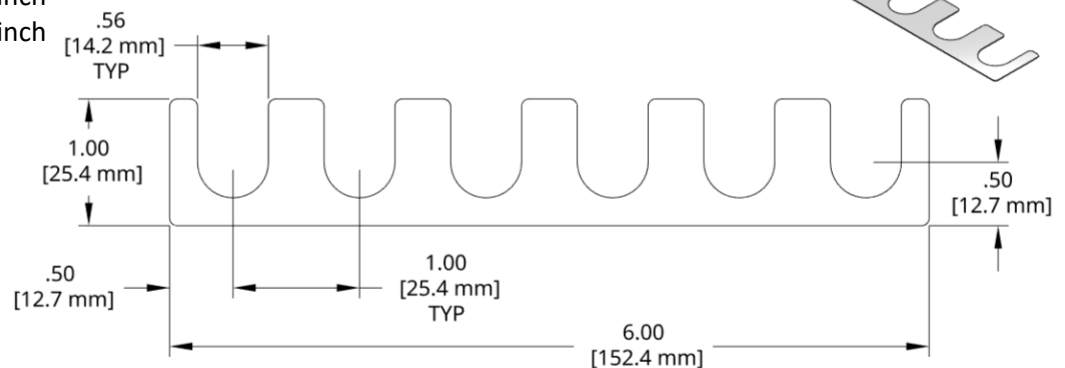
Full Hard 1010 steel shim stock. Black Oxide finish on -M050, -M100 and -M200 thickness shims.

Add a **K** to the end of the Bulk Set number for assembled (kitted) sets.

Bulk Set	Thick	Set Includes
DSCH079-M305	3.0mm	(0) 2.00mm, (2) 1.00mm, (1) .50mm, (2) .25mm
DSCH079-M454	4.5mm	(1) 2.00mm, (2) 1.00mm, (1) .50mm, (0) .25mm
DSCH079-M505	5.0mm	(1) 2.00mm, (2) 1.00mm, (2) .50mm, (0) .25mm
DSCH079-M506	5.0mm	(1) 2.00mm, (2) 1.00mm, (1) .50mm, (2) .25mm
DSCH079-M507	5.0mm	(1) 2.00mm, (1) 1.00mm, (3) .50mm, (2) .25mm
DSCH079-M605	6.0mm	(2) 2.00mm, (1) 1.00mm, (2) .50mm, (0) .25mm
DSCH079-M706	7.0mm	(2) 2.00mm, (2) 1.00mm, (2) .50mm, (0) .25mm
DSCH079-E255	.25 inch	(3) 0.062in, (2) 0.032in

Individual Shim	Thickness
DSCH080-M025	.25 mm
DSCH080-M050	.50 mm
DSCH080-M100	1.00 mm
DSCH080-M200	2.00 mm
DSCH080-E015	.015 inch
DSCH080-E032	.032 inch
DSCH080-E062	.062 inch

DSCH080 Series Shims

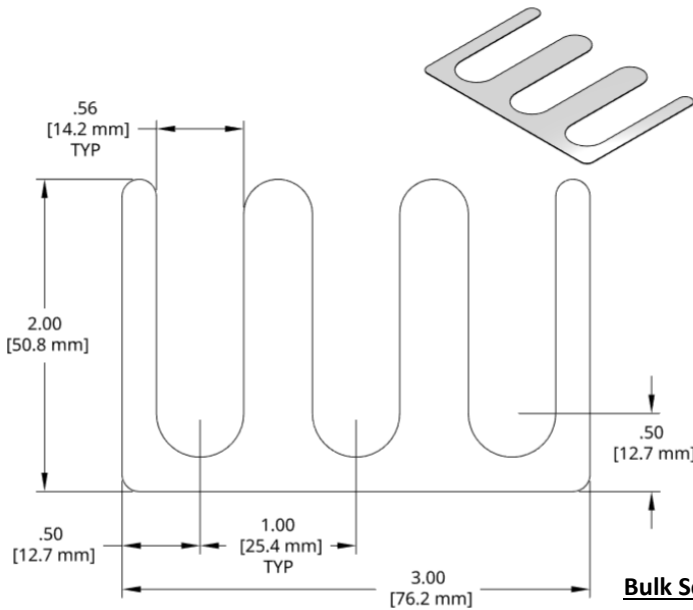


Full Hard 1010 steel shim stock. Black Oxide finish on -M050, -M100 and -M200 thickness shims.

Add a **K** to the end of the Bulk Set number for assembled (kitted) sets.

Bulk Set	Thick	Set Includes
DSCH080-M305	3.0mm	(0) 2.00mm, (2) 1.00mm, (1) .50mm, (2) .25mm
DSCH080-M454	4.5mm	(1) 2.00mm, (2) 1.00mm, (1) .50mm, (0) .25mm
DSCH080-M505	5.0mm	(1) 2.00mm, (2) 1.00mm, (2) .50mm, (0) .25mm
DSCH080-M506	5.0mm	(1) 2.00mm, (2) 1.00mm, (1) .50mm, (2) .25mm
DSCH080-M507	5.0mm	(1) 2.00mm, (1) 1.00mm, (3) .50mm, (2) .25mm
DSCH080-M605	6.0mm	(2) 2.00mm, (1) 1.00mm, (2) .50mm, (0) .25mm
DSCH080-M706	7.0mm	(2) 2.00mm, (2) 1.00mm, (2) .50mm, (0) .25mm
DSCH080-E255	.25 inch	(3) 0.062in, (2) 0.032in

DSCH081 Series Shims



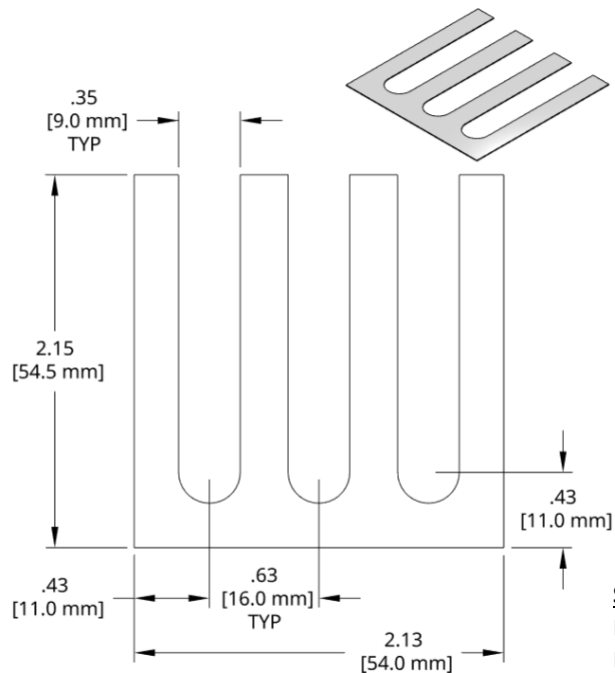
Individual Shim	Thickness
DSCH081-M025	.25 mm
DSCH081-M050	.50 mm
DSCH081-M100	1.00 mm
DSCH081-M200	2.00 mm
DSCH081-E015	.015 inch
DSCH081-E032	.032 inch
DSCH081-E062	.062 inch

Full Hard 1010 steel shim stock. Black Oxide finish on -M050, -M100 and -M200 thickness shims.

Add a **K** to the end of the Bulk Set number for assembled (kitted) sets.

Bulk Set	Thick	Set Includes
DSCH081-M305	3.0mm	(0) 2.00mm, (2) 1.00mm, (1) .50mm, (2) .25mm
DSCH081-M454	4.5mm	(1) 2.00mm, (2) 1.00mm, (1) .50mm, (0) .25mm
DSCH081-M505	5.0mm	(1) 2.00mm, (2) 1.00mm, (2) .50mm, (0) .25mm
DSCH081-M506	5.0mm	(1) 2.00mm, (2) 1.00mm, (1) .50mm, (2) .25mm
DSCH081-M507	5.0mm	(1) 2.00mm, (1) 1.00mm, (3) .50mm, (2) .25mm
DSCH081-M605	6.0mm	(2) 2.00mm, (1) 1.00mm, (2) .50mm, (0) .25mm
DSCH081-M706	7.0mm	(2) 2.00mm, (2) 1.00mm, (2) .50mm, (0) .25mm
DSCH081-E255	.25 inch	(3) 0.062in, (2) 0.032in

DSCH082 Series Shims



Individual Shims	Thickness
DSCH082-M025	.25 mm
DSCH082-M050	.50 mm
DSCH082-M100	1.00 mm
DSCH082-M200	2.00 mm
DSCH082-E015	.015 inch
DSCH082-E032	.032 inch
DSCH082-E062	.062 inch

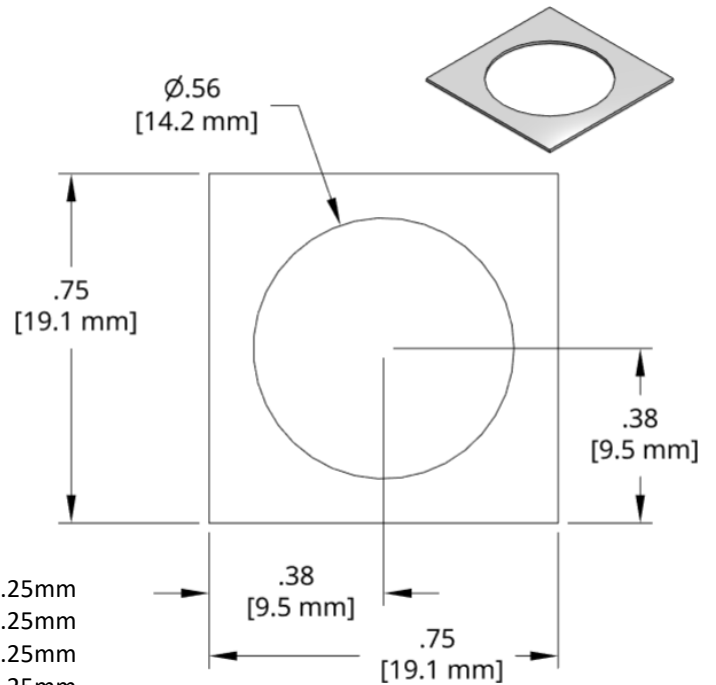
Full Hard 1010 steel shim stock. Black Oxide finish on -M050, -M100 and -M200 thickness shims.

Add a **K** to the end of the Bulk Set number for assembled (kitted) sets.

Set	Thick	Set Includes
DSCH082-M305	3.0mm	(0) 2.00mm, (2) 1.00mm, (1) .50mm, (2) .25mm
DSCH082-M454	4.5mm	(1) 2.00mm, (2) 1.00mm, (1) .50mm, (0) .25mm
DSCH082-M505	5.0mm	(1) 2.00mm, (2) 1.00mm, (2) .50mm, (0) .25mm
DSCH082-M506	5.0mm	(1) 2.00mm, (2) 1.00mm, (1) .50mm, (2) .25mm
DSCH082-M507	5.0mm	(1) 2.00mm, (1) 1.00mm, (3) .50mm, (2) .25mm
DSCH082-M605	6.0mm	(2) 2.00mm, (1) 1.00mm, (2) .50mm, (0) .25mm
DSCH082-M706	7.0mm	(2) 2.00mm, (2) 1.00mm, (2) .50mm, (0) .25mm
DSCH082-E255	.25 inch	(3) 0.062in, (2) 0.032in

DSCH083 Series Shims

Individual Shim	Thickness
DSCH083-M025	.25 mm
DSCH083-M050	.50 mm
DSCH083-M100	1.00 mm
DSCH083-M200	2.00 mm
DSCH083-E015	.015 inch
DSCH083-E032	.032 inch
DSCH083-E062	.062 inch



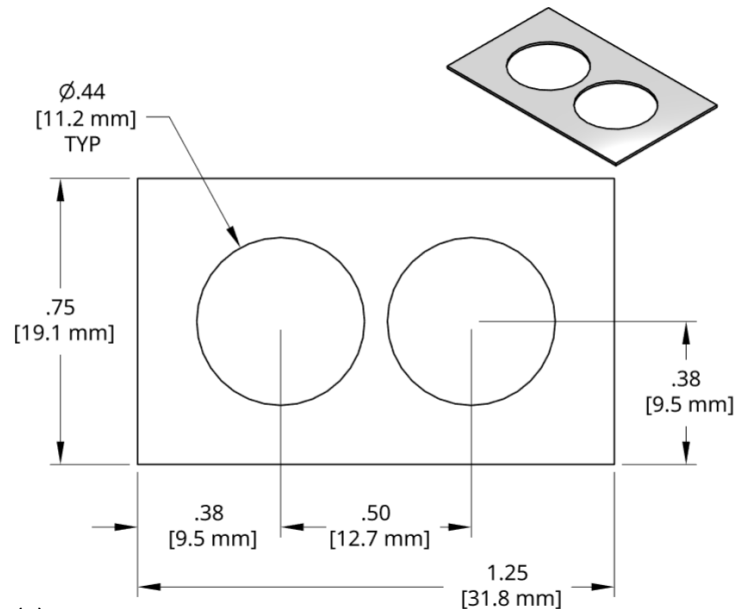
Full Hard 1010 steel shim stock.

Add a **K** to the end of the Bulk Set number for assembled (kitted) sets.

Bulk Set	Thick	Set Includes
DSCH083-M305	3.0mm	(0) 2.00mm, (2) 1.00mm, (1) .50mm, (2) .25mm
DSCH083-M454	4.5mm	(1) 2.00mm, (2) 1.00mm, (1) .50mm, (0) .25mm
DSCH083-M505	5.0mm	(1) 2.00mm, (2) 1.00mm, (2) .50mm, (0) .25mm
DSCH083-M506	5.0mm	(1) 2.00mm, (2) 1.00mm, (1) .50mm, (2) .25mm
DSCH083-M507	5.0mm	(1) 2.00mm, (1) 1.00mm, (3) .50mm, (2) .25mm
DSCH083-M605	6.0mm	(2) 2.00mm, (1) 1.00mm, (2) .50mm, (0) .25mm
DSCH083-M706	7.0mm	(2) 2.00mm, (2) 1.00mm, (2) .50mm, (0) .25mm
DSCH083-E155	.150 inch	(1) .062in, (2) .032in, (2) .015in
DSCH083-E255	.25 inch	(3) 0.062in, (2) 0.032in

DSCH084 Series Shims

Individual Shim	Thickness
DSCH084-M025	.25 mm
DSCH084-M050	.50 mm
DSCH084-M100	1.00 mm
DSCH084-M200	2.00 mm
DSCH084-E015	.015 inch
DSCH084-E032	.032 inch
DSCH084-E062	.062 inch



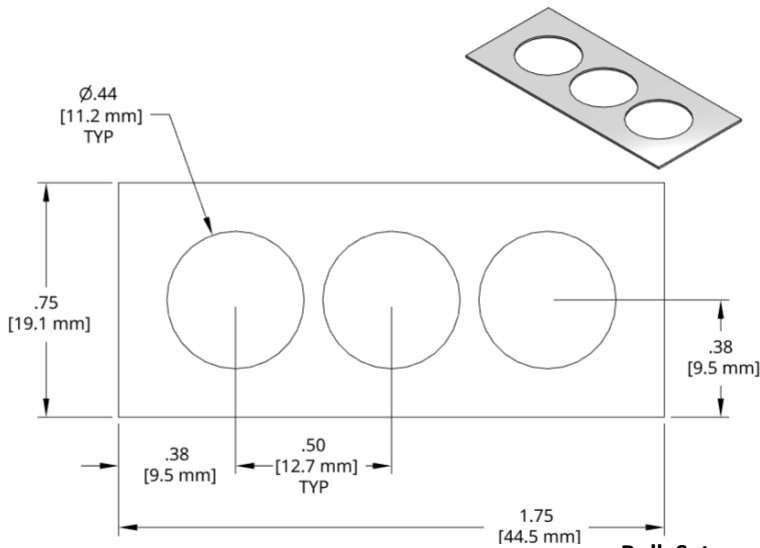
Full Hard 1010 steel shim stock.

Add a **K** to the end of the Bulk Set number for assembled (kitted) sets.

Bulk Set	Thick	Set Includes
DSCH084-M305	3.0mm	(0) 2.00mm, (2) 1.00mm, (1) .50mm, (2) .25mm
DSCH084-M454	4.5mm	(1) 2.00mm, (2) 1.00mm, (1) .50mm, (0) .25mm
DSCH084-M505	5.0mm	(1) 2.00mm, (2) 1.00mm, (2) .50mm, (0) .25mm
DSCH084-M506	5.0mm	(1) 2.00mm, (2) 1.00mm, (1) .50mm, (2) .25mm
DSCH084-M507	5.0mm	(1) 2.00mm, (1) 1.00mm, (3) .50mm, (2) .25mm
DSCH084-M605	6.0mm	(2) 2.00mm, (1) 1.00mm, (2) .50mm, (0) .25mm
DSCH084-M706	7.0mm	(2) 2.00mm, (2) 1.00mm, (2) .50mm, (0) .25mm
DSCH084-E155	.150 inch	(1) .062in, (2) .032in, (2) .015in
DSCH084-E255	.25 inch	(3) 0.062in, (2) 0.032in

DSCH085 Series Shims

<u>Individual Shim</u>	<u>Thickness</u>
DSCH085-M025	.25 mm
DSCH085-M050	.50 mm
DSCH085-M100	1.00 mm
DSCH085-M200	2.00 mm
DSCH085-E015	.015 inch
DSCH085-E032	.032 inch
DSCH085-E062	.062 inch



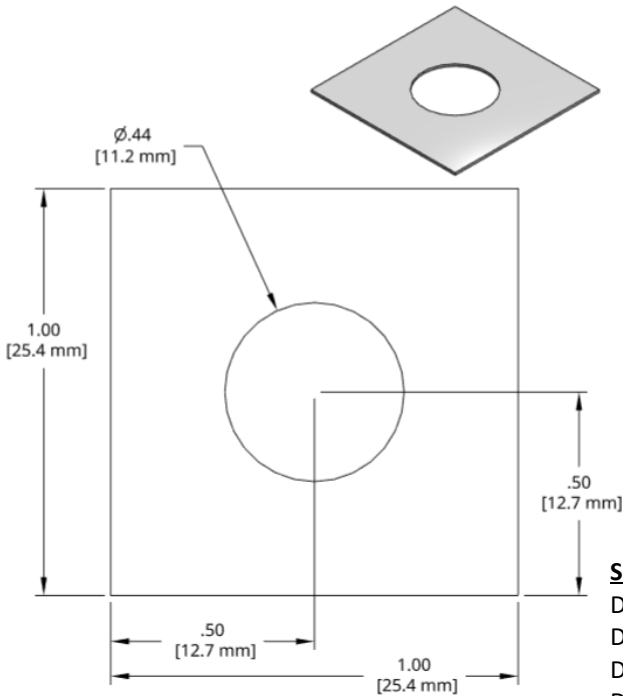
<u>Bulk Set</u>	<u>Thick</u>	<u>Set Includes</u>
DSCH085-M305	3.0mm	(0) 2.00mm, (2) 1.00mm, (1) .50mm, (2) .25mm
DSCH085-M454	4.5mm	(1) 2.00mm, (2) 1.00mm, (1) .50mm, (0) .25mm
DSCH085-M505	5.0mm	(1) 2.00mm, (2) 1.00mm, (2) .50mm, (0) .25mm
DSCH085-M506	5.0mm	(1) 2.00mm, (2) 1.00mm, (1) .50mm, (2) .25mm
DSCH085-M507	5.0mm	(1) 2.00mm, (1) 1.00mm, (3) .50mm, (2) .25mm
DSCH085-M605	6.0mm	(2) 2.00mm, (1) 1.00mm, (2) .50mm, (0) .25mm
DSCH085-M706	7.0mm	(2) 2.00mm, (2) 1.00mm, (2) .50mm, (0) .25mm
DSCH085-E155	.150 inch	(1) .062in, (2) .032in, (2) .015in
DSCH085-E255	.25 inch	(3) 0.062in, (2) 0.032in

Full Hard 1010 steel shim stock.

Add a **K** to the end of the Bulk Set number for assembled (kitted) sets.

DSCH086 Series Shims

<u>Individual Shims</u>	<u>Thickness</u>
DSCH086-M025	.25 mm
DSCH086-M050	.50 mm
DSCH086-M100	1.00 mm
DSCH086-M200	2.00 mm
DSCH086-E015	.015 inch
DSCH086-E032	.032 inch
DSCH086-E062	.062 inch

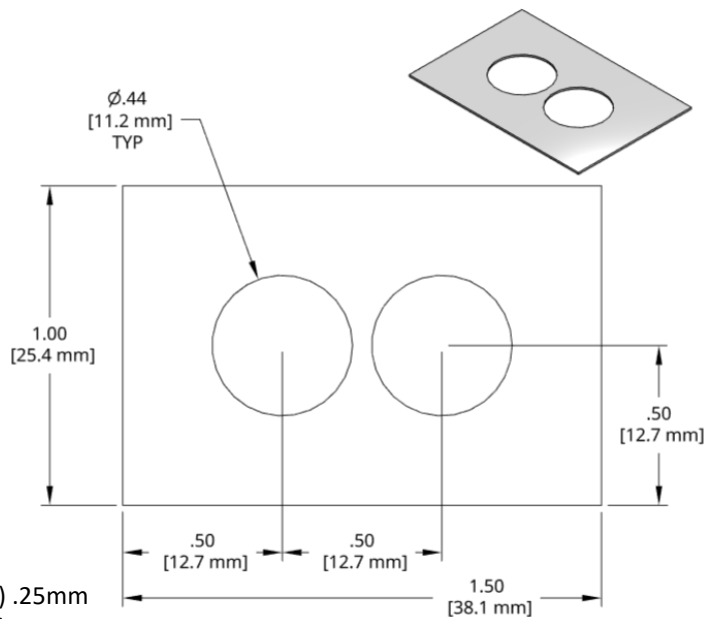


<u>Set</u>	<u>Thick</u>	<u>Set Includes</u>
DSCH086-M305	3.0mm	(0) 2.00mm, (2) 1.00mm, (1) .50mm, (2) .25mm
DSCH086-M454	4.5mm	(1) 2.00mm, (2) 1.00mm, (1) .50mm, (0) .25mm
DSCH086-M505	5.0mm	(1) 2.00mm, (2) 1.00mm, (2) .50mm, (0) .25mm
DSCH086-M506	5.0mm	(1) 2.00mm, (2) 1.00mm, (1) .50mm, (2) .25mm
DSCH086-M507	5.0mm	(1) 2.00mm, (1) 1.00mm, (3) .50mm, (2) .25mm
DSCH086-M605	6.0mm	(2) 2.00mm, (1) 1.00mm, (2) .50mm, (0) .25mm
DSCH086-M706	7.0mm	(2) 2.00mm, (2) 1.00mm, (2) .50mm, (0) .25mm
DSCH086-E155	.150 inch	(1) .062in, (2) .032in, (2) .015in
DSCH086-E255	.25 inch	(3) 0.062in, (2) 0.032in

Full Hard 1010 steel shim stock.

Add a **K** to the end of the Bulk Set number for assembled (kitted) sets.

<u>Individual Shim</u>	<u>Thickness</u>
DSCH087-M025	.25 mm
DSCH087-M050	.50 mm
DSCH087-M100	1.00 mm
DSCH087-M200	2.00 mm
DSCH087-E015	.015 inch
DSCH087-E032	.032 inch
DSCH087-E062	.062 inch

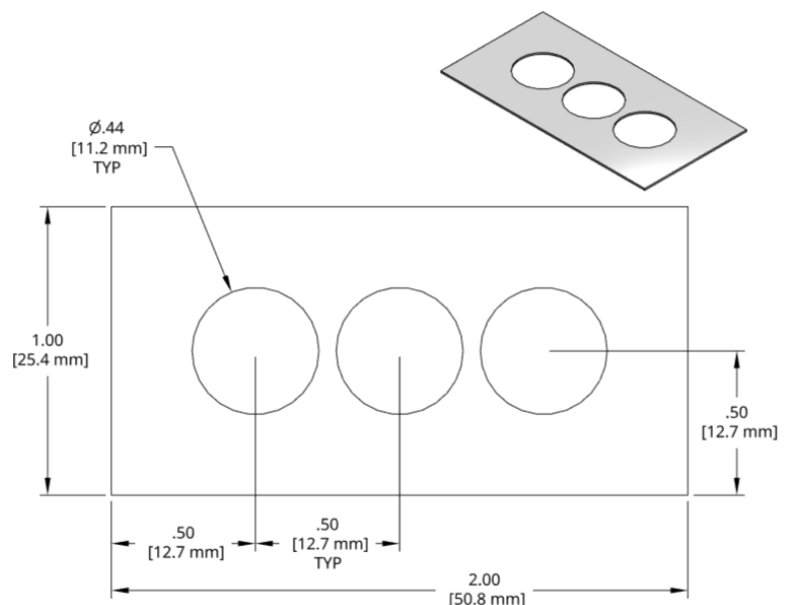
DSCH087 Series Shims

Full Hard 1010 steel shim stock.

Add a **K** to the end of the Bulk Set number for assembled (kitted) sets.

<u>Bulk Set</u>	<u>Thick</u>	<u>Set Includes</u>
DSCH087-M305	3.0mm	(0) 2.00mm, (2) 1.00mm, (1) .50mm, (2) .25mm
DSCH087-M454	4.5mm	(1) 2.00mm, (2) 1.00mm, (1) .50mm, (0) .25mm
DSCH087-M505	5.0mm	(1) 2.00mm, (2) 1.00mm, (2) .50mm, (0) .25mm
DSCH087-M506	5.0mm	(1) 2.00mm, (2) 1.00mm, (1) .50mm, (2) .25mm
DSCH087-M507	5.0mm	(1) 2.00mm, (1) 1.00mm, (3) .50mm, (2) .25mm
DSCH087-M605	6.0mm	(2) 2.00mm, (1) 1.00mm, (2) .50mm, (0) .25mm
DSCH087-M706	7.0mm	(2) 2.00mm, (2) 1.00mm, (2) .50mm, (0) .25mm
DSCH087-E155	.150 inch	(1) .062in, (2) .032in, (2) .015in
DSCH087-E255	.25 inch	(3) 0.062in, (2) 0.032in

<u>Individual Shim</u>	<u>Thickness</u>
DSCH088-M025	.25 mm
DSCH088-M050	.50 mm
DSCH088-M100	1.00 mm
DSCH088-M200	2.00 mm
DSCH088-E015	.015 inch
DSCH088-E032	.032 inch
DSCH088-E062	.062 inch

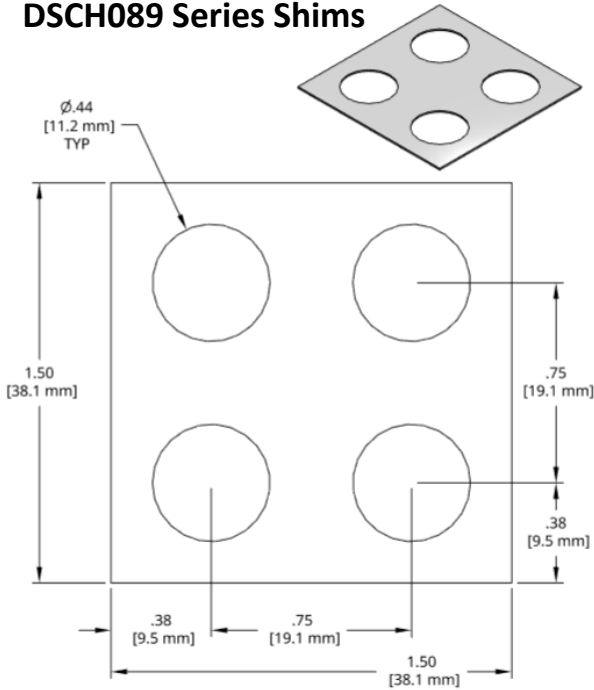
DSCH088 Series Shims

Full Hard 1010 steel shim stock.

Add a **K** to the end of the Bulk Set number for assembled (kitted) sets.

<u>Bulk Set</u>	<u>Thick</u>	<u>Set Includes</u>
DSCH088-M305	3.0mm	(0) 2.00mm, (2) 1.00mm, (1) .50mm, (2) .25mm
DSCH088-M454	4.5mm	(1) 2.00mm, (2) 1.00mm, (1) .50mm, (0) .25mm
DSCH088-M505	5.0mm	(1) 2.00mm, (2) 1.00mm, (2) .50mm, (0) .25mm
DSCH088-M506	5.0mm	(1) 2.00mm, (2) 1.00mm, (1) .50mm, (2) .25mm
DSCH088-M507	5.0mm	(1) 2.00mm, (1) 1.00mm, (3) .50mm, (2) .25mm
DSCH088-M605	6.0mm	(2) 2.00mm, (1) 1.00mm, (2) .50mm, (0) .25mm
DSCH088-M706	7.0mm	(2) 2.00mm, (2) 1.00mm, (2) .50mm, (0) .25mm
DSCH088-E155	.150 inch	(1) .062in, (2) .032in, (2) .015in
DSCH088-E255	.25 inch	(3) 0.062in, (2) 0.032in

DSCH089 Series Shims



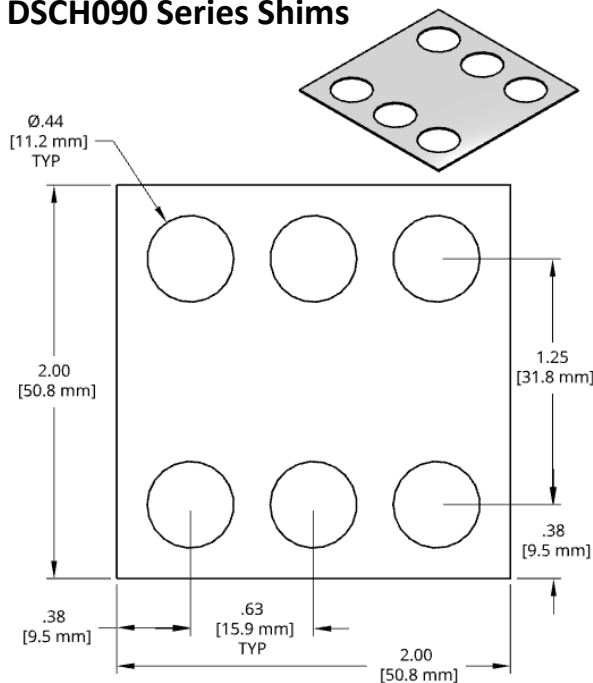
Full Hard 1010 steel shim stock.

Add a **K** to the end of the Bulk Set number for assembled (kitted) sets.

Individual Shim	Thickness
DSCH089-M025	.25 mm
DSCH089-M050	.50 mm
DSCH089-M100	1.00 mm
DSCH089-M200	2.00 mm
DSCH089-E015	.015 inch
DSCH089-E032	.032 inch
DSCH089-E062	.062 inch

Bulk Set	Thick	Set Includes
DSCH089-M305	3.0mm	(0) 2.00mm, (2) 1.00mm, (1) .50mm, (2) .25mm
DSCH089-M454	4.5mm	(1) 2.00mm, (2) 1.00mm, (1) .50mm, (0) .25mm
DSCH089-M505	5.0mm	(1) 2.00mm, (2) 1.00mm, (2) .50mm, (0) .25mm
DSCH089-M506	5.0mm	(1) 2.00mm, (2) 1.00mm, (1) .50mm, (2) .25mm
DSCH089-M507	5.0mm	(1) 2.00mm, (1) 1.00mm, (3) .50mm, (2) .25mm
DSCH089-M605	6.0mm	(2) 2.00mm, (1) 1.00mm, (2) .50mm, (0) .25mm
DSCH089-M706	7.0mm	(2) 2.00mm, (2) 1.00mm, (2) .50mm, (0) .25mm
DSCH089-E155	.150 inch	(1) .062in, (2) .032in, (2) .015in
DSCH089-E255	.25 inch	(3) 0.062in, (2) 0.032in

DSCH090 Series Shims



Full Hard 1010 steel shim stock.

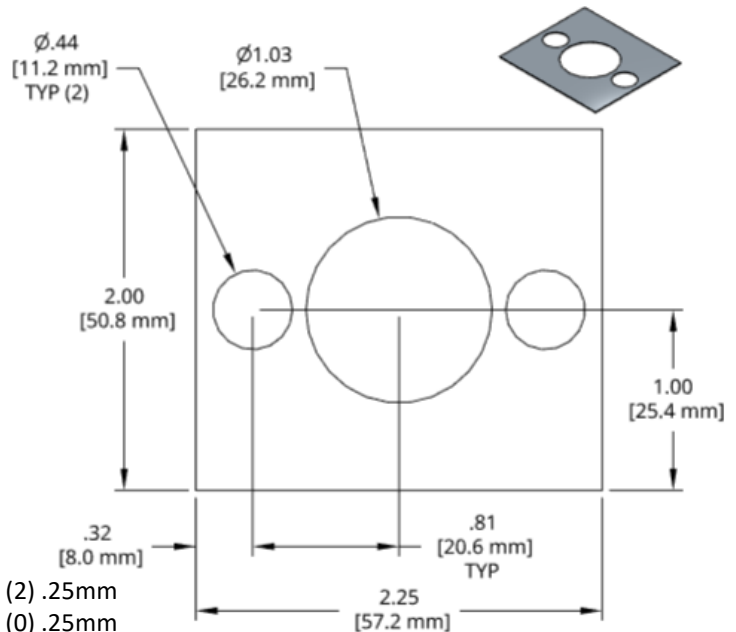
Add a **K** to the end of the Bulk Set number for assembled (kitted) sets.

Individual Shims	Thickness
DSCH090-M025	.25 mm
DSCH090-M050	.50 mm
DSCH090-M100	1.00 mm
DSCH090-M200	2.00 mm
DSCH090-E015	.015 inch
DSCH090-E032	.032 inch
DSCH090-E062	.062 inch

Set	Thick	Set Includes
DSCH090-M305	3.0mm	(0) 2.00mm, (2) 1.00mm, (1) .50mm, (2) .25mm
DSCH090-M454	4.5mm	(1) 2.00mm, (2) 1.00mm, (1) .50mm, (0) .25mm
DSCH090-M505	5.0mm	(1) 2.00mm, (2) 1.00mm, (2) .50mm, (0) .25mm
DSCH090-M506	5.0mm	(1) 2.00mm, (2) 1.00mm, (1) .50mm, (2) .25mm
DSCH090-M507	5.0mm	(1) 2.00mm, (1) 1.00mm, (3) .50mm, (2) .25mm
DSCH090-M605	6.0mm	(2) 2.00mm, (1) 1.00mm, (2) .50mm, (0) .25mm
DSCH090-M706	7.0mm	(2) 2.00mm, (2) 1.00mm, (2) .50mm, (0) .25mm
DSCH090-E155	.150 inch	(1) .062in, (2) .032in, (2) .015in
DSCH090-E255	.25 inch	(3) 0.062in, (2) 0.032in

DSCH091 Series Shims

Individual Shim	Thickness
DSCH091-M025	.25 mm
DSCH091-M050	.50 mm
DSCH091-M100	1.00 mm
DSCH091-M200	2.00 mm
DSCH091-E015	.015 inch
DSCH091-E032	.032 inch
DSCH091-E062	.062 inch



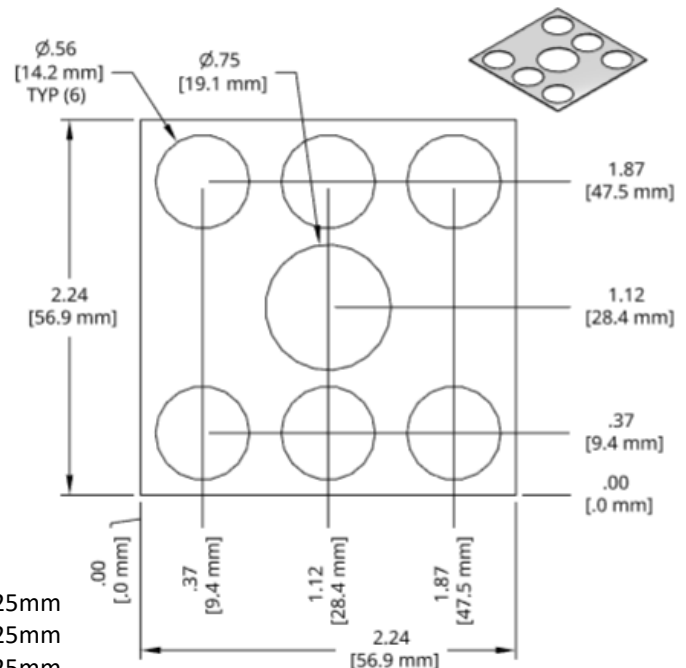
Full Hard 1010 steel shim stock.

Add a K to the end of the Bulk Set number for assembled (kitted) sets.

Bulk Set	Thick	Set Includes
DSCH091-M305	3.0mm	(0) 2.00mm, (2) 1.00mm, (1) .50mm, (2) .25mm
DSCH091-M454	4.5mm	(1) 2.00mm, (2) 1.00mm, (1) .50mm, (0) .25mm
DSCH091-M505	5.0mm	(1) 2.00mm, (2) 1.00mm, (2) .50mm, (0) .25mm
DSCH091-M506	5.0mm	(1) 2.00mm, (2) 1.00mm, (1) .50mm, (2) .25mm
DSCH091-M507	5.0mm	(1) 2.00mm, (1) 1.00mm, (3) .50mm, (2) .25mm
DSCH091-M605	6.0mm	(2) 2.00mm, (1) 1.00mm, (2) .50mm, (0) .25mm
DSCH091-M706	7.0mm	(2) 2.00mm, (2) 1.00mm, (2) .50mm, (0) .25mm
DSCH091-E155	.150 inch	(1) .062in, (2) .032in, (2) .015in
DSCH091-E255	.25 inch	(3) 0.062in, (2) 0.032in

DSCH092 Series Shims

Individual Shim	Thickness
DSCH092-M025	.25 mm
DSCH092-M050	.50 mm
DSCH092-M100	1.00 mm
DSCH092-M200	2.00 mm
DSCH092-E015	.015 inch
DSCH092-E032	.032 inch
DSCH092-E062	.062 inch

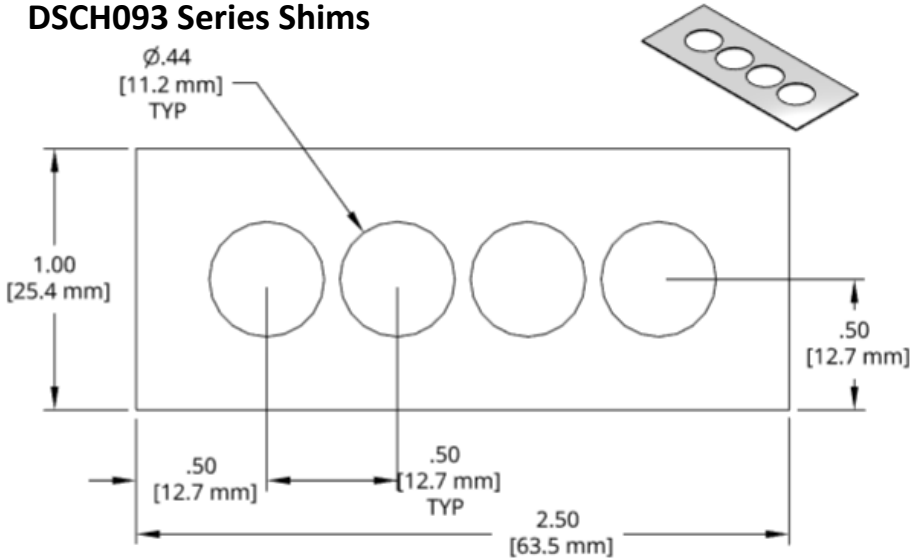


Full Hard 1010 steel shim stock.

Add a K to the end of the Bulk Set number for assembled (kitted) sets.

Bulk Set	Thick	Set Includes
DSCH092-M305	3.0mm	(0) 2.00mm, (2) 1.00mm, (1) .50mm, (2) .25mm
DSCH092-M454	4.5mm	(1) 2.00mm, (2) 1.00mm, (1) .50mm, (0) .25mm
DSCH092-M505	5.0mm	(1) 2.00mm, (2) 1.00mm, (2) .50mm, (0) .25mm
DSCH092-M506	5.0mm	(1) 2.00mm, (2) 1.00mm, (1) .50mm, (2) .25mm
DSCH092-M507	5.0mm	(1) 2.00mm, (1) 1.00mm, (3) .50mm, (2) .25mm
DSCH092-M605	6.0mm	(2) 2.00mm, (1) 1.00mm, (2) .50mm, (0) .25mm
DSCH092-M706	7.0mm	(2) 2.00mm, (2) 1.00mm, (2) .50mm, (0) .25mm
DSCH092-E155	.150 inch	(1) .062in, (2) .032in, (2) .015in
DSCH092-E255	.25 inch	(3) 0.062in, (2) 0.032in

DSCH093 Series Shims



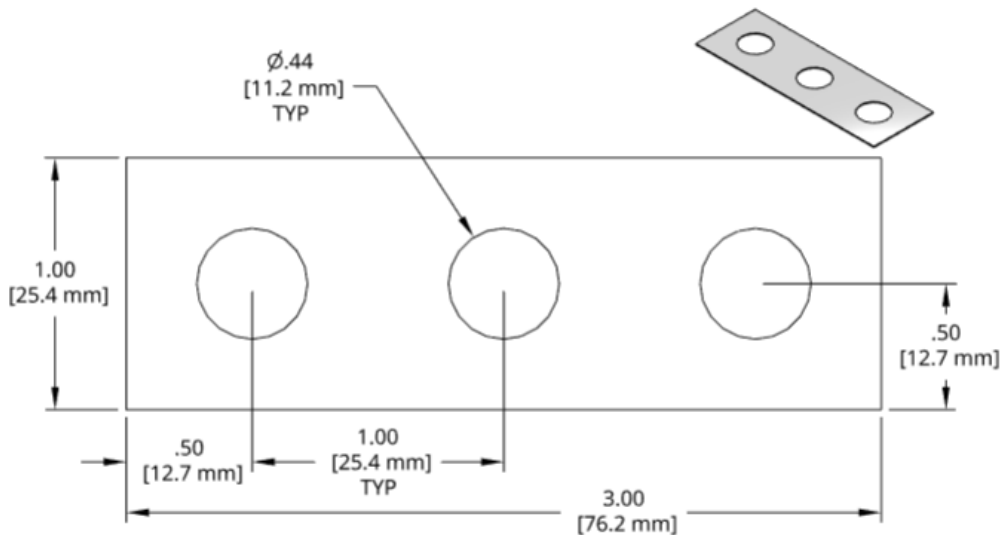
Individual Shim	Thickness
DSCH093-M025	.25 mm
DSCH093-M050	.50 mm
DSCH093-M100	1.00 mm
DSCH093-M200	2.00 mm
DSCH093-E015	.015 inch
DSCH093-E032	.032 inch
DSCH093-E062	.062 inch

Full Hard 1010 steel shim stock.

Add a **K** to the end of the Bulk Set number for assembled (kitted) sets.

Bulk Set	Thick	Set Includes
DSCH093-M305	3.0mm	(0) 2.00mm, (2) 1.00mm, (1) .50mm, (2) .25mm
DSCH093-M454	4.5mm	(1) 2.00mm, (2) 1.00mm, (1) .50mm, (0) .25mm
DSCH093-M505	5.0mm	(1) 2.00mm, (2) 1.00mm, (2) .50mm, (0) .25mm
DSCH093-M506	5.0mm	(1) 2.00mm, (2) 1.00mm, (1) .50mm, (2) .25mm
DSCH093-M507	5.0mm	(1) 2.00mm, (1) 1.00mm, (3) .50mm, (2) .25mm
DSCH093-M605	6.0mm	(2) 2.00mm, (1) 1.00mm, (2) .50mm, (0) .25mm
DSCH093-M706	7.0mm	(2) 2.00mm, (2) 1.00mm, (2) .50mm, (0) .25mm
DSCH093-E155	.150 inch	(1) .062in, (2) .032in, (2) .015in
DSCH093-E255	.25 inch	(3) 0.062in, (2) 0.032in

DSCH094 Series Shims



Individual Shims	Thickness
DSCH094-M025	.25 mm
DSCH094-M050	.50 mm
DSCH094-M100	1.00 mm
DSCH094-M200	2.00 mm
DSCH094-E015	.015 inch
DSCH094-E032	.032 inch
DSCH094-E062	.062 inch

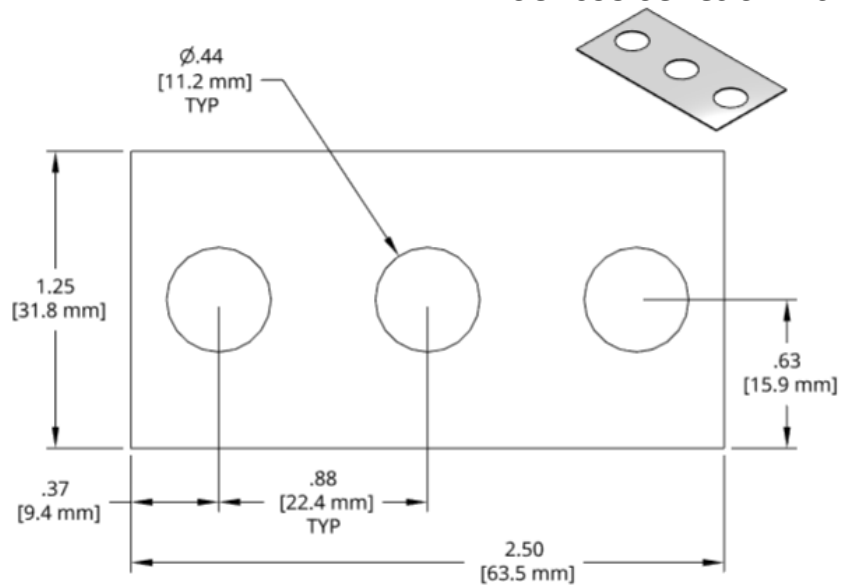
Full Hard 1010 steel shim stock.

Add a **K** to the end of the Bulk Set number for assembled (kitted) sets.

Set	Thick	Set Includes
DSCH094-M305	3.0mm	(0) 2.00mm, (2) 1.00mm, (1) .50mm, (2) .25mm
DSCH094-M454	4.5mm	(1) 2.00mm, (2) 1.00mm, (1) .50mm, (0) .25mm
DSCH094-M505	5.0mm	(1) 2.00mm, (2) 1.00mm, (2) .50mm, (0) .25mm
DSCH094-M506	5.0mm	(1) 2.00mm, (2) 1.00mm, (1) .50mm, (2) .25mm
DSCH094-M507	5.0mm	(1) 2.00mm, (1) 1.00mm, (3) .50mm, (2) .25mm
DSCH094-M605	6.0mm	(2) 2.00mm, (1) 1.00mm, (2) .50mm, (0) .25mm
DSCH094-M706	7.0mm	(2) 2.00mm, (2) 1.00mm, (2) .50mm, (0) .25mm
DSCH094-E155	.150 inch	(1) .062in, (2) .032in, (2) .015in
DSCH094-E255	.25 inch	(3) 0.062in, (2) 0.032in

DSCH095 Series Shims

Individual Shim	Thickness
DSCH095-M025	.25 mm
DSCH095-M050	.50 mm
DSCH095-M100	1.00 mm
DSCH095-M200	2.00 mm
DSCH095-E015	.015 inch
DSCH095-E032	.032 inch
DSCH095-E062	.062 inch



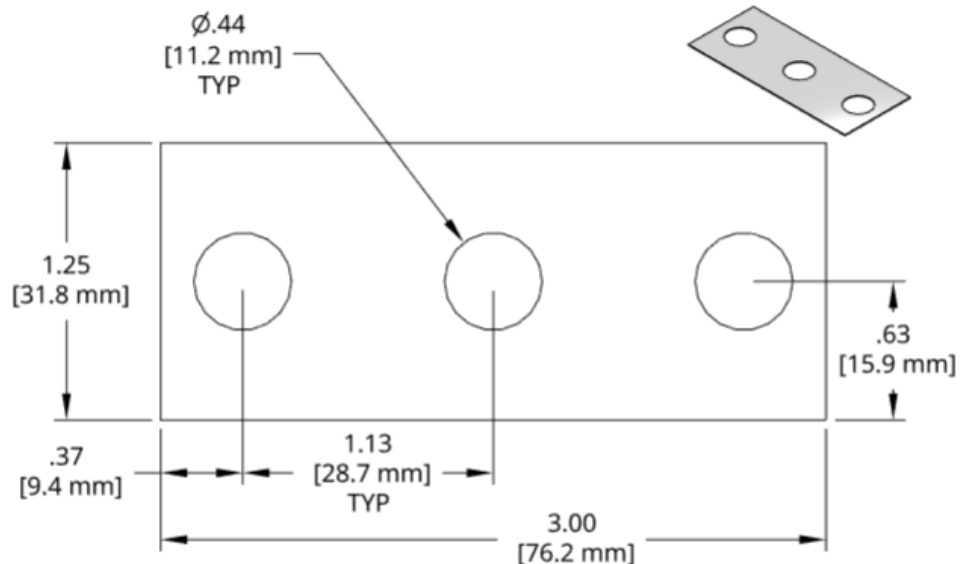
Bulk Set	Thick	Set Includes
DSCH095-M305	3.0mm	(0) 2.00mm, (2) 1.00mm, (1) .50mm, (2) .25mm
DSCH095-M454	4.5mm	(1) 2.00mm, (2) 1.00mm, (1) .50mm, (0) .25mm
DSCH095-M505	5.0mm	(1) 2.00mm, (2) 1.00mm, (2) .50mm, (0) .25mm
DSCH095-M506	5.0mm	(1) 2.00mm, (2) 1.00mm, (1) .50mm, (2) .25mm
DSCH095-M507	5.0mm	(1) 2.00mm, (1) 1.00mm, (3) .50mm, (2) .25mm
DSCH095-M605	6.0mm	(2) 2.00mm, (1) 1.00mm, (2) .50mm, (0) .25mm
DSCH095-M706	7.0mm	(2) 2.00mm, (2) 1.00mm, (2) .50mm, (0) .25mm
DSCH095-E155	.150 inch	(1) .062in, (2) .032in, (2) .015in
DSCH095-E255	.25 inch	(3) 0.062in, (2) 0.032in

Full Hard 1010 steel shim stock.

Add a **K** to the end of the Bulk Set number for assembled (kitted) sets.

DSCH096 Series Shims

Individual Shim	Thickness
DSCH096-M025	.25 mm
DSCH096-M050	.50 mm
DSCH096-M100	1.00 mm
DSCH096-M200	2.00 mm
DSCH096-E015	.015 inch
DSCH096-E032	.032 inch
DSCH096-E062	.062 inch



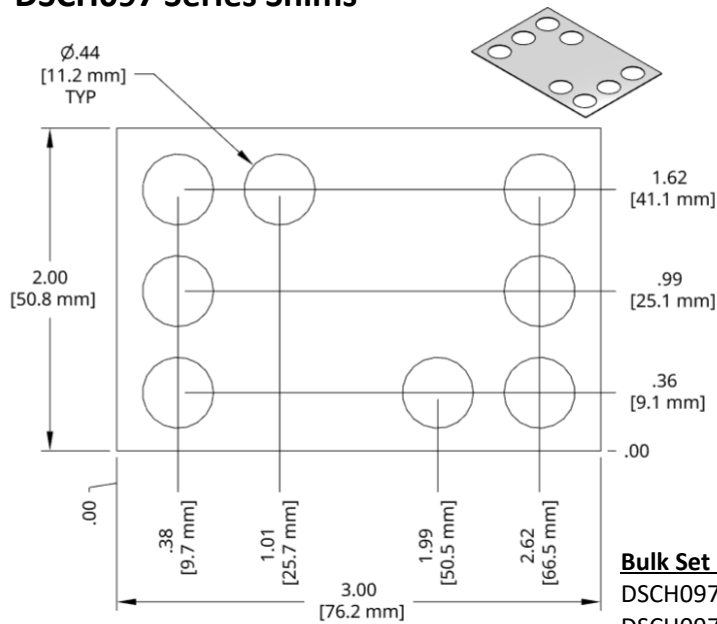
Bulk Set	Thick	Set Includes
DSCH096-M305	3.0mm	(0) 2.00mm, (2) 1.00mm, (1) .50mm, (2) .25mm
DSCH096-M454	4.5mm	(1) 2.00mm, (2) 1.00mm, (1) .50mm, (0) .25mm
DSCH096-M505	5.0mm	(1) 2.00mm, (2) 1.00mm, (2) .50mm, (0) .25mm
DSCH096-M506	5.0mm	(1) 2.00mm, (2) 1.00mm, (1) .50mm, (2) .25mm
DSCH096-M507	5.0mm	(1) 2.00mm, (1) 1.00mm, (3) .50mm, (2) .25mm
DSCH096-M605	6.0mm	(2) 2.00mm, (1) 1.00mm, (2) .50mm, (0) .25mm
DSCH096-M706	7.0mm	(2) 2.00mm, (2) 1.00mm, (2) .50mm, (0) .25mm
DSCH096-E155	.150 inch	(1) .062in, (2) .032in, (2) .015in
DSCH096-E255	.25 inch	(3) 0.062in, (2) 0.032in

Full Hard 1010 steel shim stock.

Add a **K** to the end of the Bulk Set number for assembled (kitted) sets.

DSCH097 Series Shims

<u>Individual Shim</u>	<u>Thickness</u>
DSCH097-M025	.25 mm
DSCH097-M050	.50 mm
DSCH097-M100	1.00 mm
DSCH097-M200	2.00 mm
DSCH097-E015	.015 inch
DSCH097-E032	.032 inch
DSCH097-E062	.062 inch



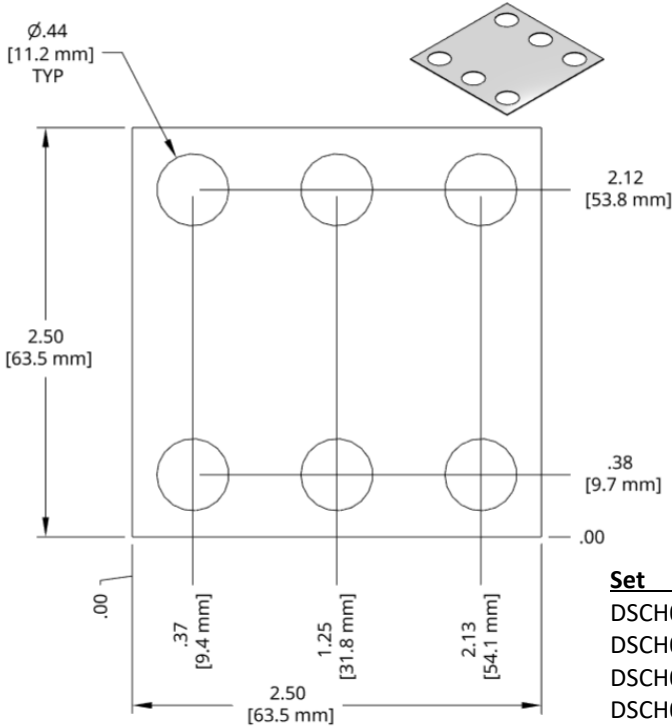
Full Hard 1010 steel shim stock.

Add a **K** to the end of the Bulk Set number for assembled (kitted) sets.

<u>Bulk Set</u>	<u>Thick</u>	<u>Set Includes</u>
DSCH097-M305	3.0mm	(0) 2.00mm, (2) 1.00mm, (1) .50mm, (2) .25mm
DSCH097-M454	4.5mm	(1) 2.00mm, (2) 1.00mm, (1) .50mm, (0) .25mm
DSCH097-M505	5.0mm	(1) 2.00mm, (2) 1.00mm, (2) .50mm, (0) .25mm
DSCH097-M506	5.0mm	(1) 2.00mm, (2) 1.00mm, (1) .50mm, (2) .25mm
DSCH097-M507	5.0mm	(1) 2.00mm, (1) 1.00mm, (3) .50mm, (2) .25mm
DSCH097-M605	6.0mm	(2) 2.00mm, (1) 1.00mm, (2) .50mm, (0) .25mm
DSCH097-M706	7.0mm	(2) 2.00mm, (2) 1.00mm, (2) .50mm, (0) .25mm
DSCH097-E155	.150 inch	(1) .062in, (2) .032in, (2) .015in
DSCH097-E255	.25 inch	(3) 0.062in, (2) 0.032in

DSCH098 Series Shims

<u>Individual Shims</u>	<u>Thickness</u>
DSCH098-M025	.25 mm
DSCH098-M050	.50 mm
DSCH098-M100	1.00 mm
DSCH098-M200	2.00 mm
DSCH098-E015	.015 inch
DSCH098-E032	.032 inch
DSCH098-E062	.062 inch



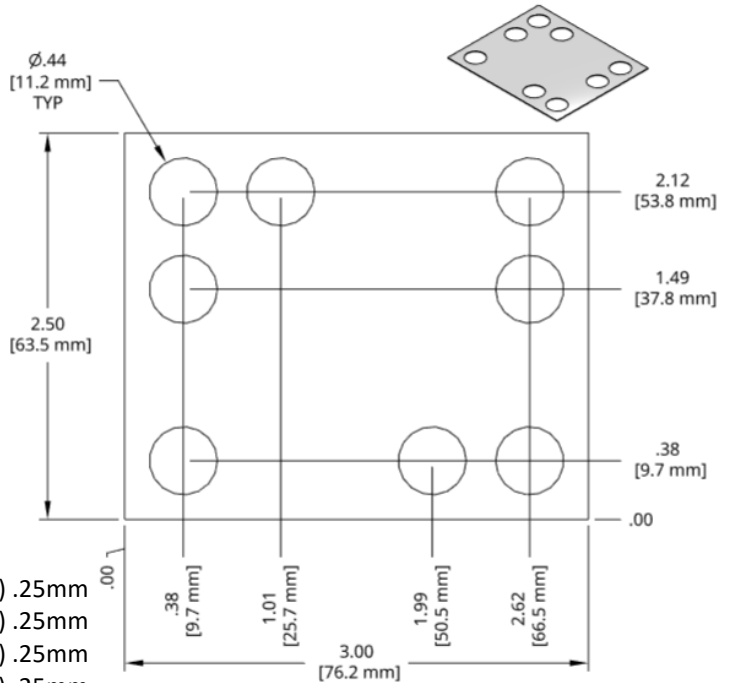
Full Hard 1010 steel shim stock.

Add a **K** to the end of the Bulk Set number for assembled (kitted) sets.

<u>Set</u>	<u>Thick</u>	<u>Set Includes</u>
DSCH098-M305	3.0mm	(0) 2.00mm, (2) 1.00mm, (1) .50mm, (2) .25mm
DSCH098-M454	4.5mm	(1) 2.00mm, (2) 1.00mm, (1) .50mm, (0) .25mm
DSCH098-M505	5.0mm	(1) 2.00mm, (2) 1.00mm, (2) .50mm, (0) .25mm
DSCH098-M506	5.0mm	(1) 2.00mm, (2) 1.00mm, (1) .50mm, (2) .25mm
DSCH098-M507	5.0mm	(1) 2.00mm, (1) 1.00mm, (3) .50mm, (2) .25mm
DSCH098-M605	6.0mm	(2) 2.00mm, (1) 1.00mm, (2) .50mm, (0) .25mm
DSCH098-M706	7.0mm	(2) 2.00mm, (2) 1.00mm, (2) .50mm, (0) .25mm
DSCH098-E155	.150 inch	(1) .062in, (2) .032in, (2) .015in
DSCH098-E255	.25 inch	(3) 0.062in, (2) 0.032in

DSCH099 Series Shims

Individual Shim	Thickness
DSCH099-M025	.25 mm
DSCH099-M050	.50 mm
DSCH099-M100	1.00 mm
DSCH099-M200	2.00 mm
DSCH099-E015	.015 inch
DSCH099-E032	.032 inch
DSCH099-E062	.062 inch



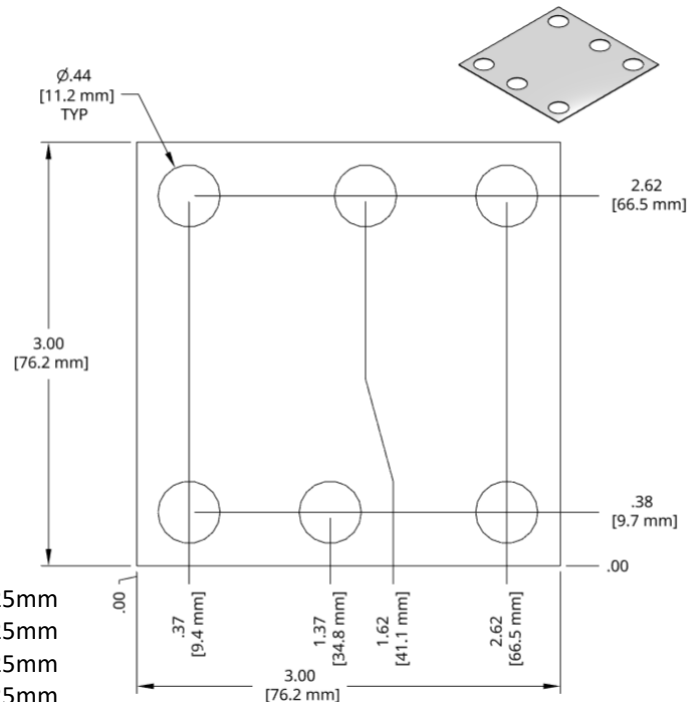
Full Hard 1010 steel shim stock.

Add a **K** to the end of the Bulk Set number for assembled (kitted) sets.

Bulk Set	Thick	Set Includes
DSCH099-M305	3.0mm	(0) 2.00mm, (2) 1.00mm, (1) .50mm, (2) .25mm
DSCH099-M454	4.5mm	(1) 2.00mm, (2) 1.00mm, (1) .50mm, (0) .25mm
DSCH099-M505	5.0mm	(1) 2.00mm, (2) 1.00mm, (2) .50mm, (0) .25mm
DSCH099-M506	5.0mm	(1) 2.00mm, (2) 1.00mm, (1) .50mm, (2) .25mm
DSCH099-M507	5.0mm	(1) 2.00mm, (1) 1.00mm, (3) .50mm, (2) .25mm
DSCH099-M605	6.0mm	(2) 2.00mm, (1) 1.00mm, (2) .50mm, (0) .25mm
DSCH099-M706	7.0mm	(2) 2.00mm, (2) 1.00mm, (2) .50mm, (0) .25mm
DSCH099-E155	.150 inch	(1) .062in, (2) .032in, (2) .015in
DSCH099-E255	.25 inch	(3) 0.062in, (2) 0.032in

DSCH100 Series Shims

Individual Shim	Thickness
DSCH100-M025	.25 mm
DSCH100-M050	.50 mm
DSCH100-M100	1.00 mm
DSCH100-M200	2.00 mm
DSCH100-E015	.015 inch
DSCH100-E032	.032 inch
DSCH100-E062	.062 inch

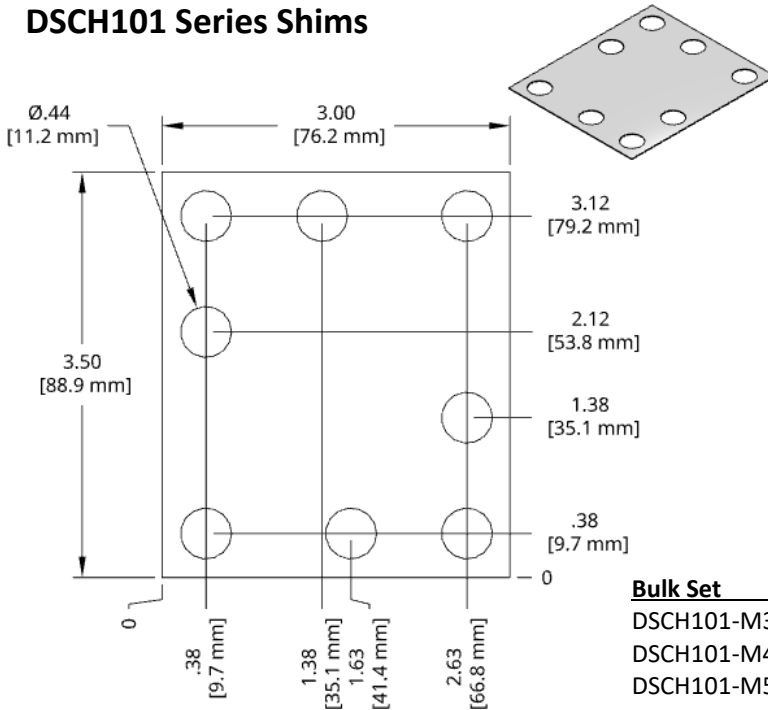


Full Hard 1010 steel shim stock.

Add a **K** to the end of the Bulk Set number for assembled (kitted) sets.

Bulk Set	Thick	Set Includes
DSCH100-M305	3.0mm	(0) 2.00mm, (2) 1.00mm, (1) .50mm, (2) .25mm
DSCH100-M454	4.5mm	(1) 2.00mm, (2) 1.00mm, (1) .50mm, (0) .25mm
DSCH100-M505	5.0mm	(1) 2.00mm, (2) 1.00mm, (2) .50mm, (0) .25mm
DSCH100-M506	5.0mm	(1) 2.00mm, (2) 1.00mm, (1) .50mm, (2) .25mm
DSCH100-M507	5.0mm	(1) 2.00mm, (1) 1.00mm, (3) .50mm, (2) .25mm
DSCH100-M605	6.0mm	(2) 2.00mm, (1) 1.00mm, (2) .50mm, (0) .25mm
DSCH100-M706	7.0mm	(2) 2.00mm, (2) 1.00mm, (2) .50mm, (0) .25mm
DSCH100-E155	.150 inch	(1) .062in, (2) .032in, (2) .015in
DSCH100-E255	.25 inch	(3) 0.062in, (2) 0.032in

DSCH101 Series Shims



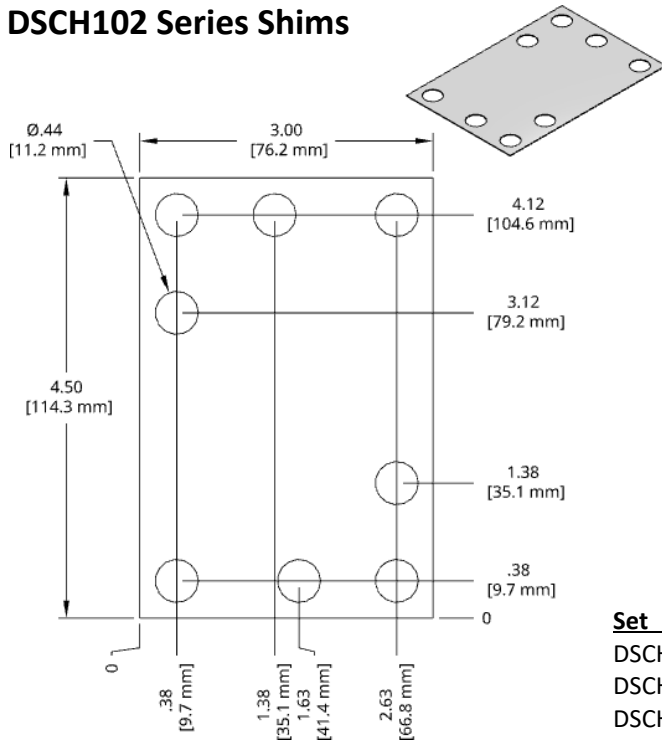
Individual Shim	Thickness
DSCH101-M025	.25 mm
DSCH101-M050	.50 mm
DSCH101-M100	1.00 mm
DSCH101-M200	2.00 mm
DSCH101-E015	.015 inch
DSCH101-E032	.032 inch
DSCH101-E062	.062 inch

Full Hard 1010 steel shim stock.

Add a **K** to the end of the Bulk Set number for assembled (kitted) sets.

Bulk Set	Thick	Set Includes
DSCH101-M305	3.0mm	(0) 2.00mm, (2) 1.00mm, (1) .50mm, (2) .25mm
DSCH101-M454	4.5mm	(1) 2.00mm, (2) 1.00mm, (1) .50mm, (0) .25mm
DSCH101-M505	5.0mm	(1) 2.00mm, (2) 1.00mm, (2) .50mm, (0) .25mm
DSCH101-M506	5.0mm	(1) 2.00mm, (2) 1.00mm, (1) .50mm, (2) .25mm
DSCH101-M507	5.0mm	(1) 2.00mm, (1) 1.00mm, (3) .50mm, (2) .25mm
DSCH101-M605	6.0mm	(2) 2.00mm, (1) 1.00mm, (2) .50mm, (0) .25mm
DSCH101-M706	7.0mm	(2) 2.00mm, (2) 1.00mm, (2) .50mm, (0) .25mm
DSCH101-E155	.150 inch	(1) .062in, (2) .032in, (2) .015in
DSCH101-E255	.25 inch	(3) 0.062in, (2) 0.032in

DSCH102 Series Shims



Individual Shims	Thickness
DSCH102-M025	.25 mm
DSCH102-M050	.50 mm
DSCH102-M100	1.00 mm
DSCH102-M200	2.00 mm
DSCH102-E015	.015 inch
DSCH102-E032	.032 inch
DSCH102-E062	.062 inch

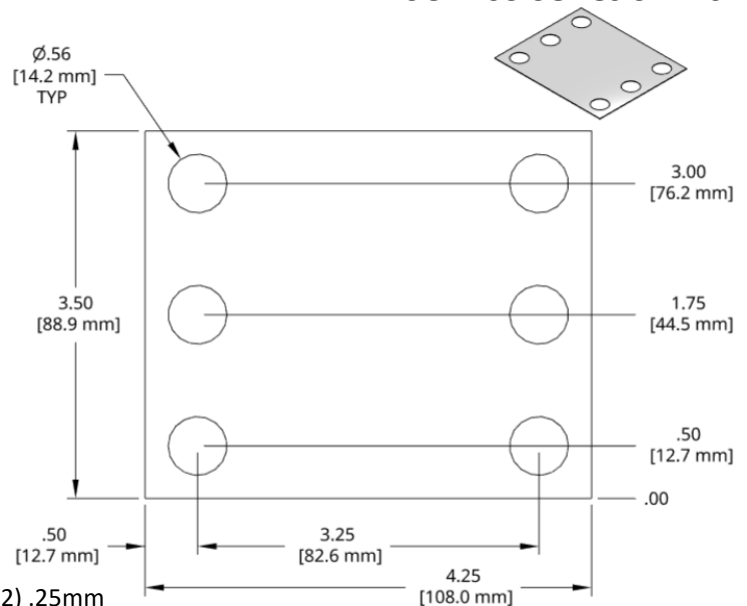
Full Hard 1010 steel shim stock.

Add a **K** to the end of the Bulk Set number for assembled (kitted) sets.

Set	Thick	Set Includes
DSCH102-M305	3.0mm	(0) 2.00mm, (2) 1.00mm, (1) .50mm, (2) .25mm
DSCH102-M454	4.5mm	(1) 2.00mm, (2) 1.00mm, (1) .50mm, (0) .25mm
DSCH102-M505	5.0mm	(1) 2.00mm, (2) 1.00mm, (2) .50mm, (0) .25mm
DSCH102-M506	5.0mm	(1) 2.00mm, (2) 1.00mm, (1) .50mm, (2) .25mm
DSCH102-M507	5.0mm	(1) 2.00mm, (1) 1.00mm, (3) .50mm, (2) .25mm
DSCH102-M605	6.0mm	(2) 2.00mm, (1) 1.00mm, (2) .50mm, (0) .25mm
DSCH102-M706	7.0mm	(2) 2.00mm, (2) 1.00mm, (2) .50mm, (0) .25mm
DSCH102-E155	.150 inch	(1) .062in, (2) .032in, (2) .015in
DSCH102-E255	.25 inch	(3) 0.062in, (2) 0.032in

DSCH103 Series Shims

Individual Shim	Thickness
DSCH103-M025	.25 mm
DSCH103-M050	.50 mm
DSCH103-M100	1.00 mm
DSCH103-M200	2.00 mm
DSCH103-E015	.015 inch
DSCH103-E032	.032 inch
DSCH103-E062	.062 inch



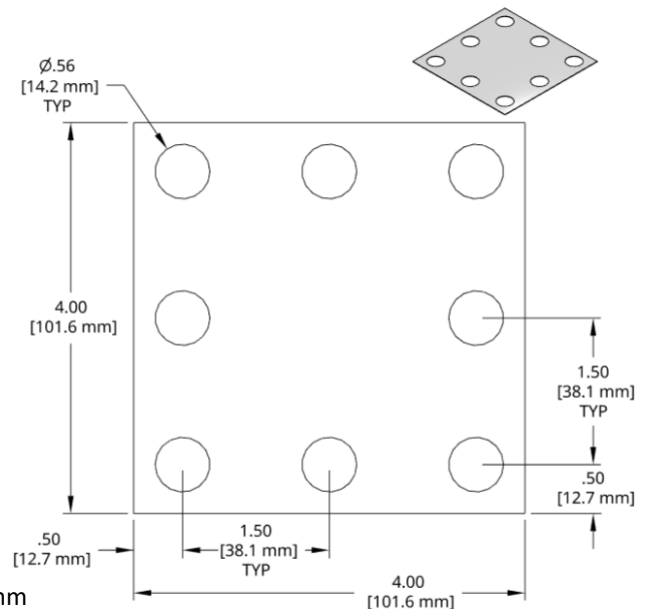
Full Hard 1010 steel shim stock.

Add a **K** to the end of the Bulk Set number for assembled (kitted) sets.

Bulk Set	Thick	Set Includes
DSCH103-M305	3.0mm	(0) 2.00mm, (2) 1.00mm, (1) .50mm, (2) .25mm
DSCH103-M454	4.5mm	(1) 2.00mm, (2) 1.00mm, (1) .50mm, (0) .25mm
DSCH103-M505	5.0mm	(1) 2.00mm, (2) 1.00mm, (2) .50mm, (0) .25mm
DSCH103-M506	5.0mm	(1) 2.00mm, (2) 1.00mm, (1) .50mm, (2) .25mm
DSCH103-M507	5.0mm	(1) 2.00mm, (1) 1.00mm, (3) .50mm, (2) .25mm
DSCH103-M605	6.0mm	(2) 2.00mm, (1) 1.00mm, (2) .50mm, (0) .25mm
DSCH103-M706	7.0mm	(2) 2.00mm, (2) 1.00mm, (2) .50mm, (0) .25mm
DSCH103-E155	.150 inch	(1) .062in, (2) .032in, (2) .015in
DSCH103-E255	.25 inch	(3) 0.062in, (2) 0.032in

DSCH104 Series Shims

Individual Shim	Thickness
DSCH104-M025	.25 mm
DSCH104-M050	.50 mm
DSCH104-M100	1.00 mm
DSCH104-M200	2.00 mm
DSCH104-E015	.015 inch
DSCH104-E032	.032 inch
DSCH104-E062	.062 inch

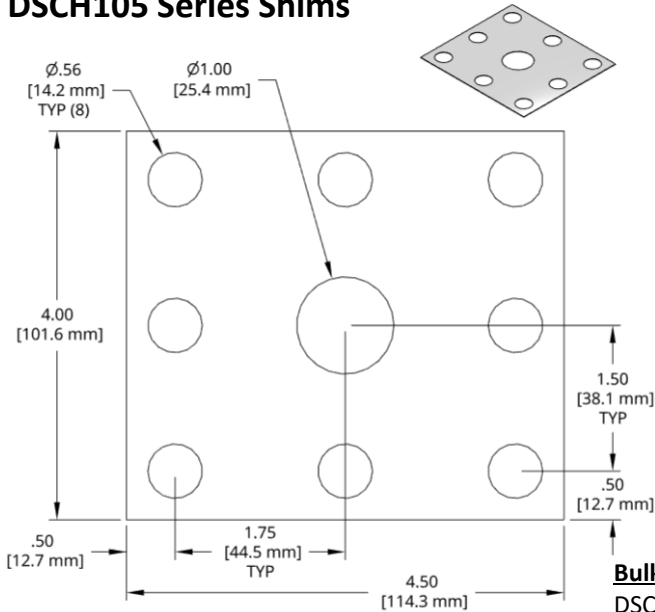


Full Hard 1010 steel shim stock.

Add a **K** to the end of the Bulk Set number for assembled (kitted) sets.

Bulk Set	Thick	Set Includes
DSCH104-M305	3.0mm	(0) 2.00mm, (2) 1.00mm, (1) .50mm, (2) .25mm
DSCH104-M454	4.5mm	(1) 2.00mm, (2) 1.00mm, (1) .50mm, (0) .25mm
DSCH104-M505	5.0mm	(1) 2.00mm, (2) 1.00mm, (2) .50mm, (0) .25mm
DSCH104-M506	5.0mm	(1) 2.00mm, (2) 1.00mm, (1) .50mm, (2) .25mm
DSCH104-M507	5.0mm	(1) 2.00mm, (1) 1.00mm, (3) .50mm, (2) .25mm
DSCH104-M605	6.0mm	(2) 2.00mm, (1) 1.00mm, (2) .50mm, (0) .25mm
DSCH104-M706	7.0mm	(2) 2.00mm, (2) 1.00mm, (2) .50mm, (0) .25mm
DSCH104-E155	.150 inch	(1) .062in, (2) .032in, (2) .015in
DSCH104-E255	.25 inch	(3) 0.062in, (2) 0.032in

DSCH105 Series Shims



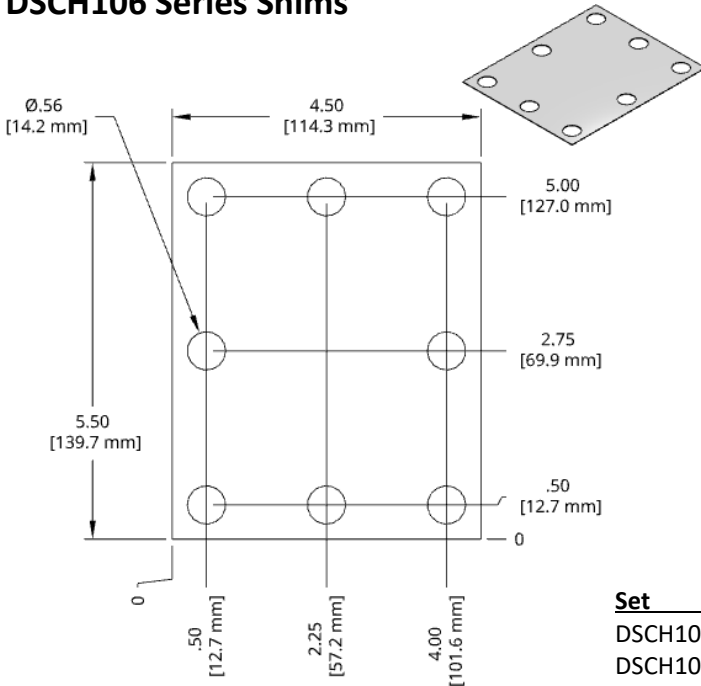
Full Hard 1010 steel shim stock.

Add a **K** to the end of the Bulk Set number for assembled (kitted) sets.

Individual Shim	Thickness
DSCH105-M025	.25 mm
DSCH105-M050	.50 mm
DSCH105-M100	1.00 mm
DSCH105-M200	2.00 mm
DSCH105-E015	.015 inch
DSCH105-E032	.032 inch
DSCH105-E062	.062 inch

Bulk Set	Thick	Set Includes
DSCH105-M305	3.0mm	(0) 2.00mm, (2) 1.00mm, (1) .50mm, (2) .25mm
DSCH105-M454	4.5mm	(1) 2.00mm, (2) 1.00mm, (1) .50mm, (0) .25mm
DSCH105-M505	5.0mm	(1) 2.00mm, (2) 1.00mm, (2) .50mm, (0) .25mm
DSCH105-M506	5.0mm	(1) 2.00mm, (2) 1.00mm, (1) .50mm, (2) .25mm
DSCH105-M507	5.0mm	(1) 2.00mm, (1) 1.00mm, (3) .50mm, (2) .25mm
DSCH105-M605	6.0mm	(2) 2.00mm, (1) 1.00mm, (2) .50mm, (0) .25mm
DSCH105-M706	7.0mm	(2) 2.00mm, (2) 1.00mm, (2) .50mm, (0) .25mm
DSCH105-E155	.150 inch	(1) .062in, (2) .032in, (2) .015in
DSCH105-E255	.25 inch	(3) 0.062in, (2) 0.032in

DSCH106 Series Shims



Individual Shims	Thickness
DSCH106-M025	.25 mm
DSCH106-M050	.50 mm
DSCH106-M100	1.00 mm
DSCH106-M200	2.00 mm
DSCH106-E015	.015 inch
DSCH106-E032	.032 inch
DSCH106-E062	.062 inch

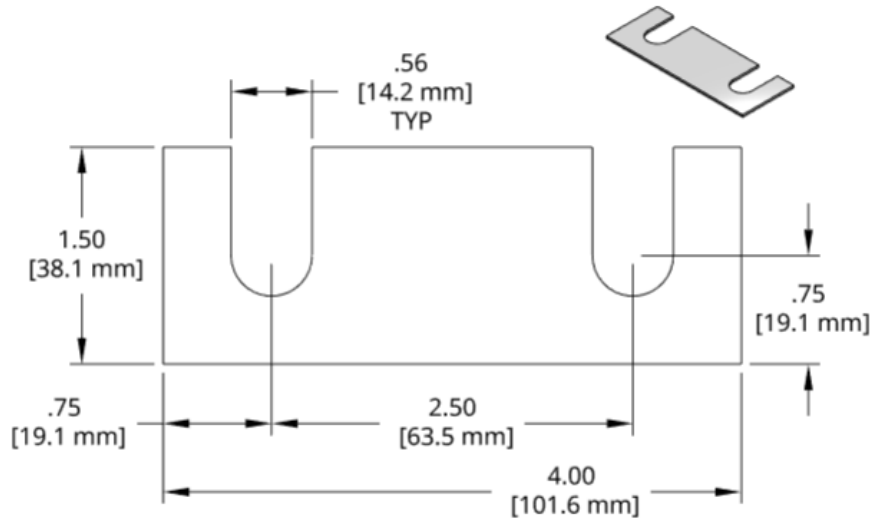
Set	Thick	Set Includes
DSCH106-M305	3.0mm	(0) 2.00mm, (2) 1.00mm, (1) .50mm, (2) .25mm
DSCH106-M454	4.5mm	(1) 2.00mm, (2) 1.00mm, (1) .50mm, (0) .25mm
DSCH106-M505	5.0mm	(1) 2.00mm, (2) 1.00mm, (2) .50mm, (0) .25mm
DSCH106-M506	5.0mm	(1) 2.00mm, (2) 1.00mm, (1) .50mm, (2) .25mm
DSCH106-M507	5.0mm	(1) 2.00mm, (1) 1.00mm, (3) .50mm, (2) .25mm
DSCH106-M605	6.0mm	(2) 2.00mm, (1) 1.00mm, (2) .50mm, (0) .25mm
DSCH106-M706	7.0mm	(2) 2.00mm, (2) 1.00mm, (2) .50mm, (0) .25mm
DSCH106-E155	.150 inch	(1) .062in, (2) .032in, (2) .015in
DSCH106-E255	.25 inch	(3) 0.062in, (2) 0.032in

Full Hard 1010 steel shim stock.

Add a **K** to the end of the Bulk Set number for assembled (kitted) sets.

DSCH107 Series Shims

Individual Shim	Thickness
DSCH107-M025	.25 mm
DSCH107-M050	.50 mm
DSCH107-M100	1.00 mm
DSCH107-M200	2.00 mm
DSCH107-E015	.015 inch
DSCH107-E032	.032 inch
DSCH107-E059	.059 inch
DSCH107-E062	.062 inch



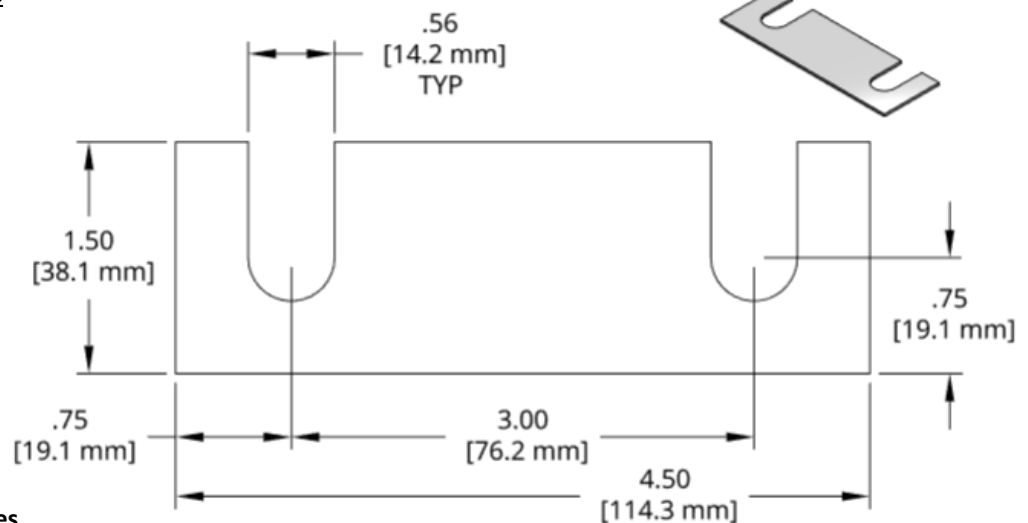
Bulk Set	Thick	Set Includes
DSCH107-M305	3.0mm	(0) 2.00mm, (2) 1.00mm, (1) .50mm, (2) .25mm
DSCH107-M454	4.5mm	(1) 2.00mm, (2) 1.00mm, (1) .50mm, (0) .25mm
DSCH107-M505	5.0mm	(1) 2.00mm, (2) 1.00mm, (2) .50mm, (0) .25mm
DSCH107-M506	5.0mm	(1) 2.00mm, (2) 1.00mm, (1) .50mm, (2) .25mm
DSCH107-M507	5.0mm	(1) 2.00mm, (1) 1.00mm, (3) .50mm, (2) .25mm
DSCH107-M605	6.0mm	(2) 2.00mm, (1) 1.00mm, (2) .50mm, (0) .25mm
DSCH107-M706	7.0mm	(2) 2.00mm, (2) 1.00mm, (2) .50mm, (0) .25mm
DSCH107-E155	.150 inch	(1) .062in, (2) .032in, (2) .015in
DSCH107-E244	.236 inch	(4) .059 in
DSCH107-E255	.25 inch	(3) 0.062in, (2) 0.032in

Full Hard 1010 steel shim stock. Black Oxide finish on -M050, -M100 and -M200 thickness shims.

Add a K to the end of the Bulk Set number for assembled (kitted) sets.

DSCH108 Series Shims

Individual Shim	Thickness
DSCH108-M025	.25 mm
DSCH108-M050	.50 mm
DSCH108-M100	1.00 mm
DSCH108-M200	2.00 mm
DSCH108-E015	.015 inch
DSCH108-E032	.032 inch
DSCH108-E059	.059 inch
DSCH108-E062	.062 inch

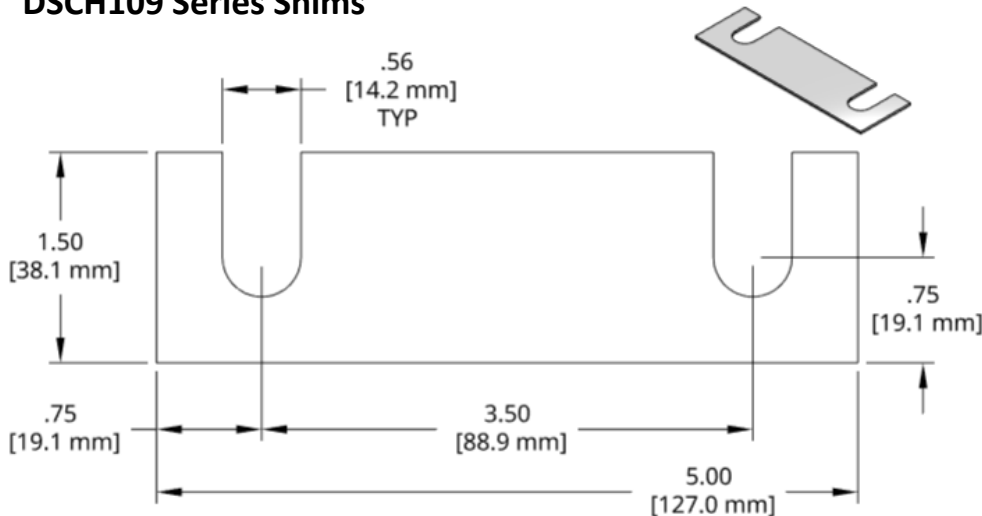


Bulk Set	Thick	Set Includes
DSCH108-M305	3.0mm	(0) 2.00mm, (2) 1.00mm, (1) .50mm, (2) .25mm
DSCH108-M454	4.5mm	(1) 2.00mm, (2) 1.00mm, (1) .50mm, (0) .25mm
DSCH108-M505	5.0mm	(1) 2.00mm, (2) 1.00mm, (2) .50mm, (0) .25mm
DSCH108-M506	5.0mm	(1) 2.00mm, (2) 1.00mm, (1) .50mm, (2) .25mm
DSCH108-M507	5.0mm	(1) 2.00mm, (1) 1.00mm, (3) .50mm, (2) .25mm
DSCH108-M605	6.0mm	(2) 2.00mm, (1) 1.00mm, (2) .50mm, (0) .25mm
DSCH108-M706	7.0mm	(2) 2.00mm, (2) 1.00mm, (2) .50mm, (0) .25mm
DSCH108-E155	.150 inch	(1) .062in, (2) .032in, (2) .015in
DSCH108-E244	.236 inch	(4) .059 in
DSCH108-E255	.25 inch	(3) 0.062in, (2) 0.032in

Full Hard 1010 steel shim stock. Black Oxide finish on -M050, -M100 and -M200 thickness shims.

Add a K to the end of the Bulk Set number for assembled (kitted) sets.

DSCH109 Series Shims



Individual Shim	Thickness
DSCH109-M025	.25 mm
DSCH109-M050	.50 mm
DSCH109-M100	1.00 mm
DSCH109-M200	2.00 mm
DSCH109-E015	.015 inch
DSCH109-E032	.032 inch
DSCH109-E059	.059 inch
DSCH109-E062	.062 inch

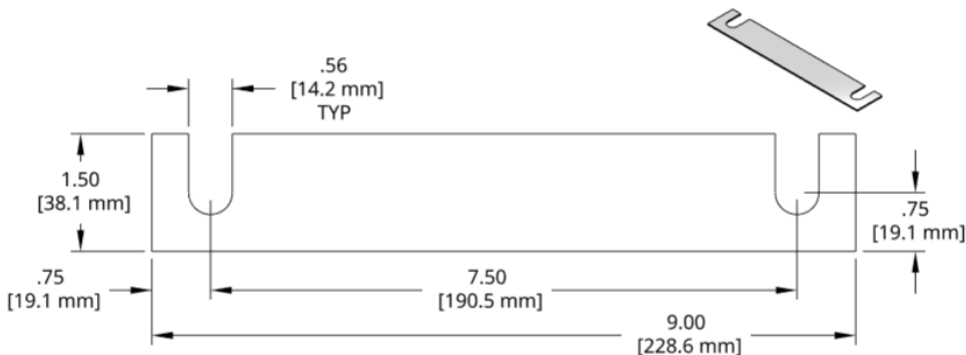
Bulk Set Thick Set Includes

Bulk Set	Thick	Set Includes
DSCH109-M305	3.0mm	(0) 2.00mm, (2) 1.00mm, (1) .50mm, (2) .25mm
DSCH109-M454	4.5mm	(1) 2.00mm, (2) 1.00mm, (1) .50mm, (0) .25mm
DSCH109-M505	5.0mm	(1) 2.00mm, (2) 1.00mm, (2) .50mm, (0) .25mm
DSCH109-M506	5.0mm	(1) 2.00mm, (2) 1.00mm, (1) .50mm, (2) .25mm
DSCH109-M507	5.0mm	(1) 2.00mm, (1) 1.00mm, (3) .50mm, (2) .25mm
DSCH109-M605	6.0mm	(2) 2.00mm, (1) 1.00mm, (2) .50mm, (0) .25mm
DSCH109-M706	7.0mm	(2) 2.00mm, (2) 1.00mm, (2) .50mm, (0) .25mm
DSCH109-E155	.150 inch	(1) .062in, (2) .032in, (2) .015in
DSCH109-E244	.236 inch	(4) .059 in
DSCH109-E255	.25 inch	(3) 0.062in, (2) 0.032in

Full Hard 1010 steel shim stock. Black Oxide finish on -M050, -M100 and -M200 thickness shims.

Add a K to the end of the Bulk Set number for assembled (kitted) sets.

DSCH110 Series Shims



Individual Shims	Thickness
DSCH110-M025	.25 mm
DSCH110-M050	.50 mm
DSCH110-M100	1.00 mm
DSCH110-M200	2.00 mm
DSCH110-E015	.015 inch
DSCH110-E032	.032 inch
DSCH110-E059	.059 inch
DSCH110-E062	.062 inch

Set Thick Set Includes

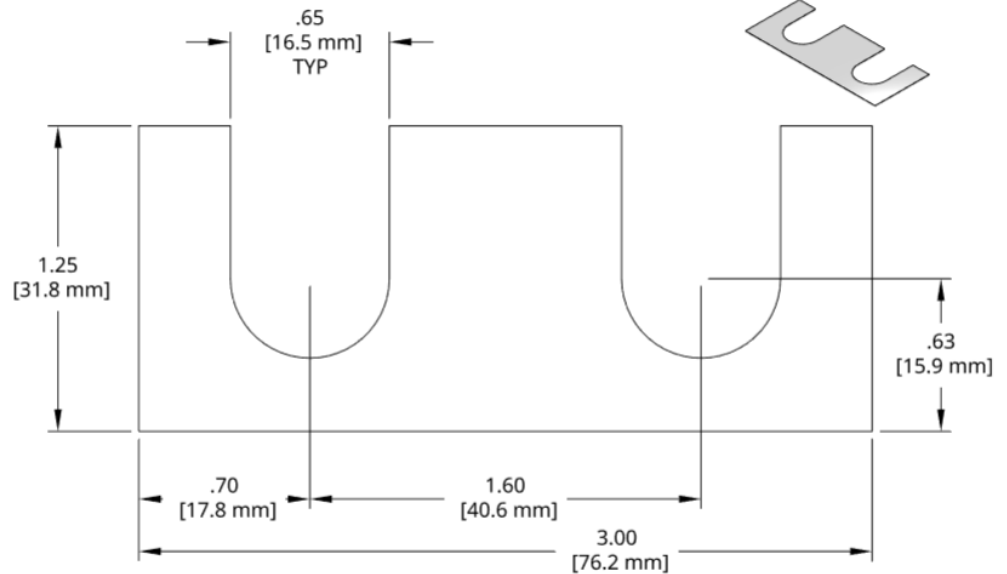
Set	Thick	Set Includes
DSCH110-M305	3.0mm	(0) 2.00mm, (2) 1.00mm, (1) .50mm, (2) .25mm
DSCH110-M454	4.5mm	(1) 2.00mm, (2) 1.00mm, (1) .50mm, (0) .25mm
DSCH110-M505	5.0mm	(1) 2.00mm, (2) 1.00mm, (2) .50mm, (0) .25mm
DSCH110-M506	5.0mm	(1) 2.00mm, (2) 1.00mm, (1) .50mm, (2) .25mm
DSCH110-M507	5.0mm	(1) 2.00mm, (1) 1.00mm, (3) .50mm, (2) .25mm
DSCH110-M605	6.0mm	(2) 2.00mm, (1) 1.00mm, (2) .50mm, (0) .25mm
DSCH110-M706	7.0mm	(2) 2.00mm, (2) 1.00mm, (2) .50mm, (0) .25mm
DSCH110-E155	.150 inch	(1) .062in, (2) .032in, (2) .015in
DSCH110-E244	.236 inch	(4) .059 in
DSCH110-E255	.25 inch	(3) 0.062in, (2) 0.032in

Full Hard 1010 steel shim stock. Black Oxide finish on -M050, -M100 and -M200 thickness shims.

Add a K to the end of the Bulk Set number for assembled (kitted) sets.

DSCH111 Series Shims

Individual Shim	Thickness
DSCH111-M025	.25 mm
DSCH111-M050	.50 mm
DSCH111-M100	1.00 mm
DSCH111-M200	2.00 mm
DSCH111-E005	.005 inch
DSCH111-E010	.010 inch
DSCH111-E015	.015 inch
DSCH111-E030	.032 inch
DSCH111-E060	.062 inch
DSCH111-E125	.125 inch



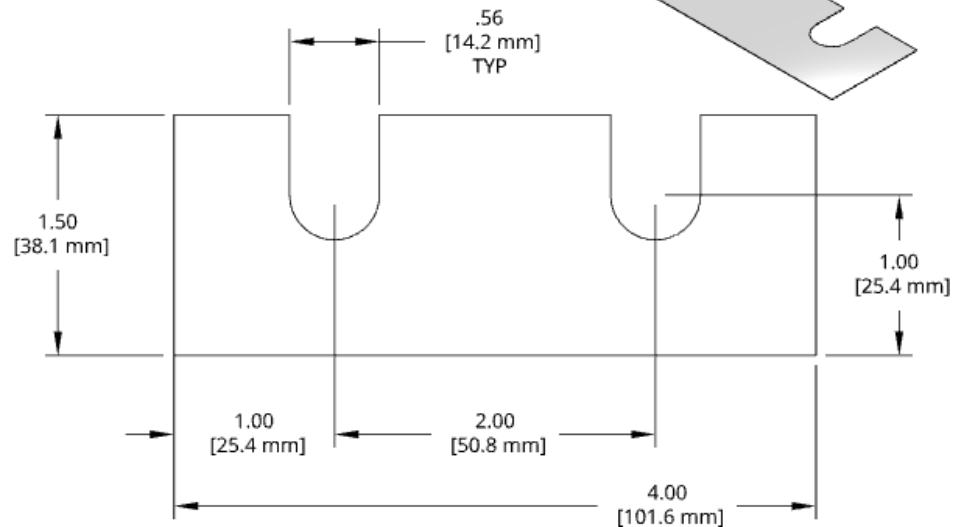
Bulk Set	Thick	Set Includes
DSCH111-M305	3.0mm	(0) 2.00mm, (2) 1.00mm, (1) .50mm, (2) .25mm
DSCH111-M454	4.5mm	(1) 2.00mm, (2) 1.00mm, (1) .50mm, (0) .25mm
DSCH111-M505	5.0mm	(1) 2.00mm, (2) 1.00mm, (2) .50mm, (0) .25mm
DSCH111-M506	5.0mm	(1) 2.00mm, (2) 1.00mm, (1) .50mm, (2) .25mm
DSCH111-M507	5.0mm	(1) 2.00mm, (1) 1.00mm, (3) .50mm, (2) .25mm
DSCH111-M605	6.0mm	(2) 2.00mm, (1) 1.00mm, (2) .50mm, (0) .25mm
DSCH111-M706	7.0mm	(2) 2.00mm, (2) 1.00mm, (2) .50mm, (0) .25mm
DSCH111-E155	.150 inch	(1) .062in, (2) .032in, (2) .015in

Full Hard 1010 steel shim stock. Black Oxide finish on -M050, -M100 and -M200 thickness shims.

Add a K to the end of the Bulk Set number for assembled (kitted) sets.

DSCH112 Series Shims

Individual Shim	Thickness
DSCH112-M025	.25 mm
DSCH112-M050	.50 mm
DSCH112-M100	1.00 mm
DSCH112-M200	2.00 mm
DSCH112-E005	.005 inch
DSCH112-E010	.010 inch
DSCH112-E015	.015 inch
DSCH112-E030	.032 inch
DSCH112-E060	.062 inch
DSCH112-E125	.125 inch

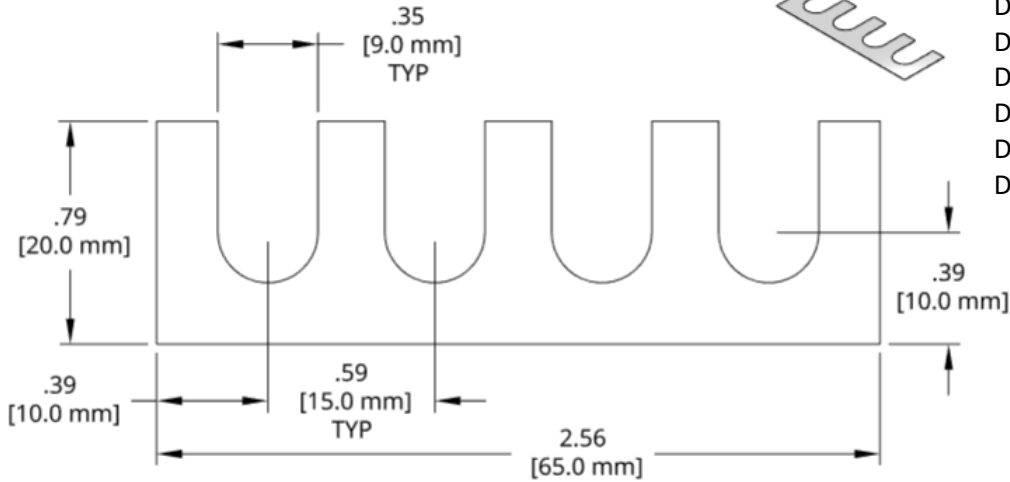


Bulk Set	Thick	Set Includes
DSCH112-M305	3.0mm	(0) 2.00mm, (2) 1.00mm, (1) .50mm, (2) .25mm
DSCH112-M454	4.5mm	(1) 2.00mm, (2) 1.00mm, (1) .50mm, (0) .25mm
DSCH112-M505	5.0mm	(1) 2.00mm, (2) 1.00mm, (2) .50mm, (0) .25mm
DSCH112-M506	5.0mm	(1) 2.00mm, (2) 1.00mm, (1) .50mm, (2) .25mm
DSCH112-M507	5.0mm	(1) 2.00mm, (1) 1.00mm, (3) .50mm, (2) .25mm
DSCH112-M605	6.0mm	(2) 2.00mm, (1) 1.00mm, (2) .50mm, (0) .25mm
DSCH112-M706	7.0mm	(2) 2.00mm, (2) 1.00mm, (2) .50mm, (0) .25mm
DSCH112-E155	.150 inch	(1) .062in, (2) .032in, (2) .015in

Full Hard 1010 steel shim stock. Black Oxide finish on -M050, -M100 and -M200 thickness shims.

Add a K to the end of the Bulk Set number for assembled (kitted) sets.

DSCH113 Series Shims



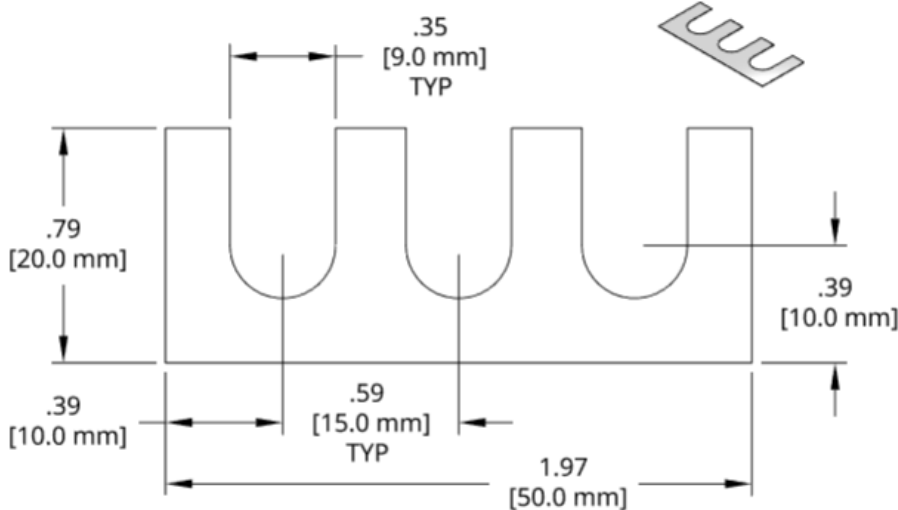
Individual Shim	Thickness
DSCH113-M010	.10 mm
DSCH113-M020	.20 mm
DSCH113-M025	.25 mm
DSCH113-M050	.50 mm
DSCH113-M100	1.00 mm
DSCH113-M200	2.00 mm
DSCH113-M500	5.00 mm

Full Hard 1010 steel shim stock. Black Oxide finish on -M050, -M100 and -M200 thickness shims.

Add a K to the end of the Bulk Set number for assembled (kitted) sets.

Bulk Set	Thick	Set Includes
DSCH113-M305	3.0mm	(0) 2.00mm, (2) 1.00mm, (1) .50mm, (2) .25mm
DSCH113-M454	4.5mm	(1) 2.00mm, (2) 1.00mm, (1) .50mm, (0) .25mm
DSCH113-M505	5.0mm	(1) 2.00mm, (2) 1.00mm, (2) .50mm, (0) .25mm
DSCH113-M506	5.0mm	(1) 2.00mm, (2) 1.00mm, (1) .50mm, (2) .25mm
DSCH113-M507	5.0mm	(1) 2.00mm, (1) 1.00mm, (3) .50mm, (2) .25mm
DSCH113-M605	6.0mm	(2) 2.00mm, (1) 1.00mm, (2) .50mm, (0) .25mm
DSCH113-M706	7.0mm	(2) 2.00mm, (2) 1.00mm, (2) .50mm, (0) .25mm

DSCH114 Series Shims



Individual Shims	Thickness
DSCH114-M010	.10 mm
DSCH114-M020	.20 mm
DSCH114-M025	.25 mm
DSCH114-M050	.50 mm
DSCH114-M100	1.00 mm
DSCH114-M200	2.00 mm
DSCH114-M500	5.00 mm

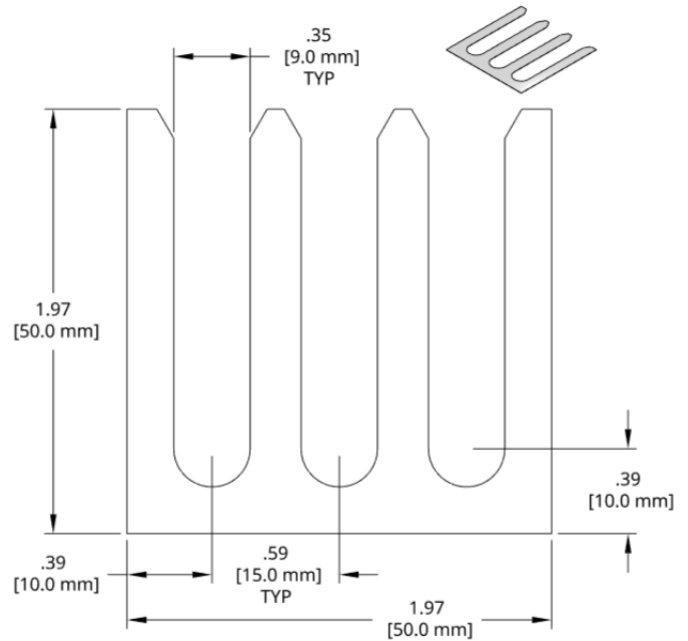
Full Hard 1010 steel shim stock. Black Oxide finish on -M050, -M100 and -M200 thickness shims.

Add a K to the end of the Bulk Set number for assembled (kitted) sets.

Set	Thick	Set Includes
DSCH114-M305	3.0mm	(0) 2.00mm, (2) 1.00mm, (1) .50mm, (2) .25mm
DSCH114-M454	4.5mm	(1) 2.00mm, (2) 1.00mm, (1) .50mm, (0) .25mm
DSCH114-M505	5.0mm	(1) 2.00mm, (2) 1.00mm, (2) .50mm, (0) .25mm
DSCH114-M506	5.0mm	(1) 2.00mm, (2) 1.00mm, (1) .50mm, (2) .25mm
DSCH114-M507	5.0mm	(1) 2.00mm, (1) 1.00mm, (3) .50mm, (2) .25mm
DSCH114-M605	6.0mm	(2) 2.00mm, (1) 1.00mm, (2) .50mm, (0) .25mm
DSCH114-M706	7.0mm	(2) 2.00mm, (2) 1.00mm, (2) .50mm, (0) .25mm

DSCH115 Series Shims

Individual Shim	Thickness
DSCH115-M010	.10 mm
DSCH115-M020	.20 mm
DSCH115-M025	.25 mm
DSCH115-M050	.50 mm
DSCH115-M100	1.00 mm
DSCH115-M200	2.00 mm
DSCH115-M500	5.00 mm



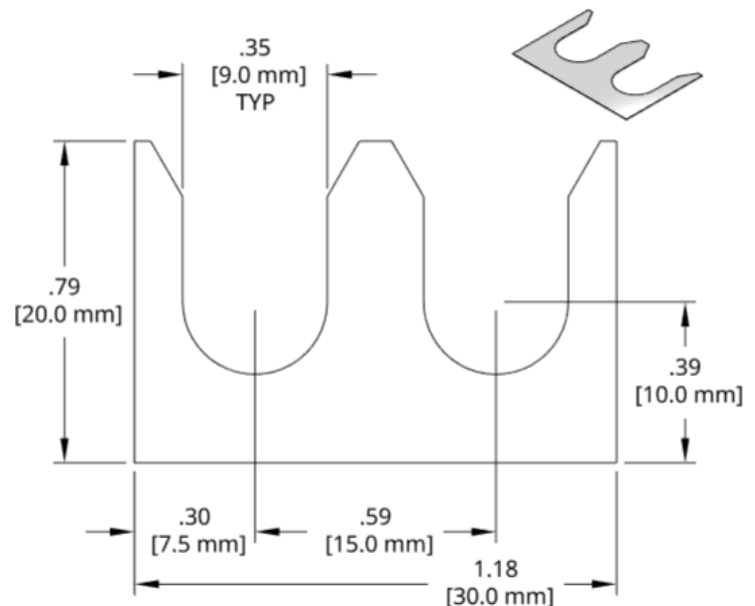
Bulk Set	Thick	Set Includes
DSCH115-M305	3.0mm	(0) 2.00mm, (2) 1.00mm, (1) .50mm, (2) .25mm
DSCH115-M454	4.5mm	(1) 2.00mm, (2) 1.00mm, (1) .50mm, (0) .25mm
DSCH115-M505	5.0mm	(1) 2.00mm, (2) 1.00mm, (2) .50mm, (0) .25mm
DSCH115-M506	5.0mm	(1) 2.00mm, (2) 1.00mm, (1) .50mm, (2) .25mm
DSCH115-M507	5.0mm	(1) 2.00mm, (1) 1.00mm, (3) .50mm, (2) .25mm
DSCH115-M605	6.0mm	(2) 2.00mm, (1) 1.00mm, (2) .50mm, (0) .25mm
DSCH115-M706	7.0mm	(2) 2.00mm, (2) 1.00mm, (2) .50mm, (0) .25mm

Full Hard 1010 steel shim stock.

Add a **K** to the end of the Bulk Set number for assembled (kitted) sets.

DSCH116 Series Shims

Individual Shim	Thickness
DSCH116-M010	.10 mm
DSCH116-M020	.20 mm
DSCH116-M025	.25 mm
DSCH116-M050	.50 mm
DSCH116-M100	1.00 mm
DSCH116-M200	2.00 mm
DSCH116-M500	5.00 mm

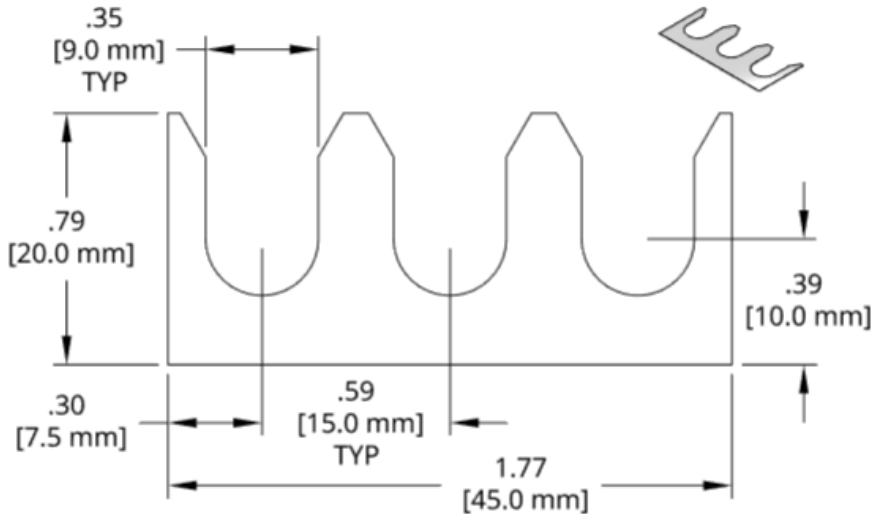


Bulk Set	Thick	Set Includes
DSCH116-M305	3.0mm	(0) 2.00mm, (2) 1.00mm, (1) .50mm, (2) .25mm
DSCH116-M454	4.5mm	(1) 2.00mm, (2) 1.00mm, (1) .50mm, (0) .25mm
DSCH116-M505	5.0mm	(1) 2.00mm, (2) 1.00mm, (2) .50mm, (0) .25mm
DSCH116-M506	5.0mm	(1) 2.00mm, (2) 1.00mm, (1) .50mm, (2) .25mm
DSCH116-M507	5.0mm	(1) 2.00mm, (1) 1.00mm, (3) .50mm, (2) .25mm
DSCH116-M605	6.0mm	(2) 2.00mm, (1) 1.00mm, (2) .50mm, (0) .25mm
DSCH116-M706	7.0mm	(2) 2.00mm, (2) 1.00mm, (2) .50mm, (0) .25mm

Full Hard 1010 steel shim stock.

Add a **K** to the end of the Bulk Set number for assembled (kitted) sets.

DSCH117 Series Shims



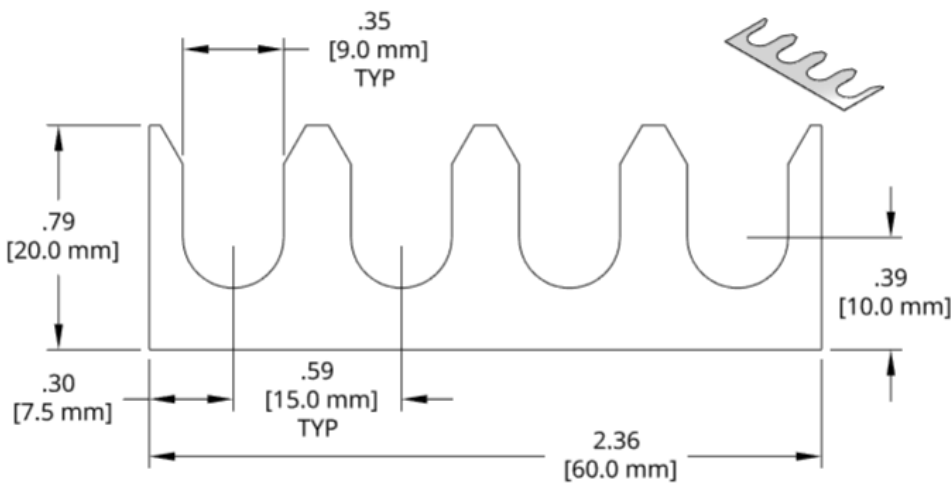
Individual Shim	Thickness
DSCH117-M010	.10 mm
DSCH117-M020	.20 mm
DSCH117-M025	.25 mm
DSCH117-M050	.50 mm
DSCH117-M100	1.00 mm
DSCH117-M200	2.00 mm
DSCH117-M500	5.00 mm

Bulk Set	Thick	Set Includes
DSCH117-M305	3.0mm	(0) 2.00mm, (2) 1.00mm, (1) .50mm, (2) .25mm
DSCH117-M454	4.5mm	(1) 2.00mm, (2) 1.00mm, (1) .50mm, (0) .25mm
DSCH117-M505	5.0mm	(1) 2.00mm, (2) 1.00mm, (2) .50mm, (0) .25mm
DSCH117-M506	5.0mm	(1) 2.00mm, (2) 1.00mm, (1) .50mm, (2) .25mm
DSCH117-M507	5.0mm	(1) 2.00mm, (1) 1.00mm, (3) .50mm, (2) .25mm
DSCH117-M605	6.0mm	(2) 2.00mm, (1) 1.00mm, (2) .50mm, (0) .25mm
DSCH117-M706	7.0mm	(2) 2.00mm, (2) 1.00mm, (2) .50mm, (0) .25mm

Full Hard 1010 steel shim stock.

Add a **K** to the end of the Bulk Set number for assembled (kitted) sets.

DSCH118 Series Shims



Individual Shims	Thickness
DSCH118-M010	.10 mm
DSCH118-M020	.20 mm
DSCH118-M025	.25 mm
DSCH118-M050	.50 mm
DSCH118-M100	1.00 mm
DSCH118-M200	2.00 mm
DSCH118-M500	5.00 mm

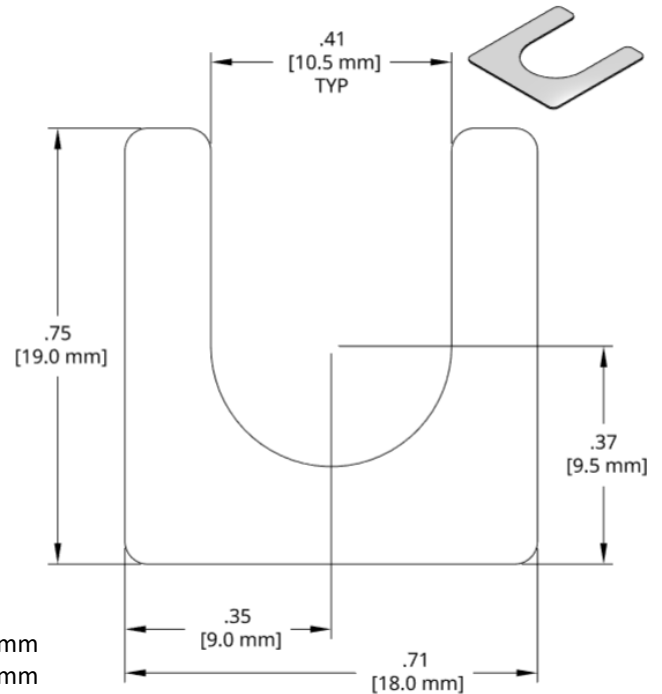
Set	Thick	Set Includes
DSCH118-M305	3.0mm	(0) 2.00mm, (2) 1.00mm, (1) .50mm, (2) .25mm
DSCH118-M454	4.5mm	(1) 2.00mm, (2) 1.00mm, (1) .50mm, (0) .25mm
DSCH118-M505	5.0mm	(1) 2.00mm, (2) 1.00mm, (2) .50mm, (0) .25mm
DSCH118-M506	5.0mm	(1) 2.00mm, (2) 1.00mm, (1) .50mm, (2) .25mm
DSCH118-M507	5.0mm	(1) 2.00mm, (1) 1.00mm, (3) .50mm, (2) .25mm
DSCH118-M605	6.0mm	(2) 2.00mm, (1) 1.00mm, (2) .50mm, (0) .25mm
DSCH118-M706	7.0mm	(2) 2.00mm, (2) 1.00mm, (2) .50mm, (0) .25mm

Full Hard 1010 steel shim stock.

Add a **K** to the end of the Bulk Set number for assembled (kitted) sets.

DSCH119 Series Shims

Individual Shim	Thickness
DSCH119-M010	.10 mm
DSCH119-M020	.20 mm
DSCH119-M025	.25 mm
DSCH119-M050	.50 mm
DSCH119-M100	1.00 mm
DSCH119-M200	2.00 mm
DSCH119-M500	5.00 mm



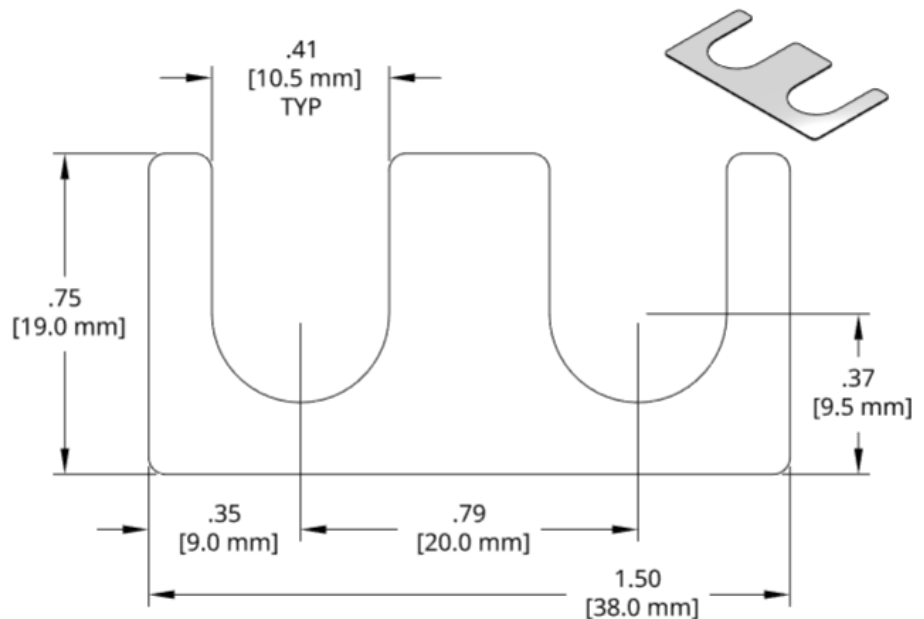
Full Hard 1010 steel shim stock.

Add a **K** to the end of the Bulk Set number for assembled (kitted) sets.

Bulk Set	Thick	Set Includes
DSCH119-M305	3.0mm	(0) 2.00mm, (2) 1.00mm, (1) .50mm, (2) .25mm
DSCH119-M454	4.5mm	(1) 2.00mm, (2) 1.00mm, (1) .50mm, (0) .25mm
DSCH119-M505	5.0mm	(1) 2.00mm, (2) 1.00mm, (2) .50mm, (0) .25mm
DSCH119-M506	5.0mm	(1) 2.00mm, (2) 1.00mm, (1) .50mm, (2) .25mm
DSCH119-M507	5.0mm	(1) 2.00mm, (1) 1.00mm, (3) .50mm, (2) .25mm
DSCH119-M605	6.0mm	(2) 2.00mm, (1) 1.00mm, (2) .50mm, (0) .25mm
DSCH119-M706	7.0mm	(2) 2.00mm, (2) 1.00mm, (2) .50mm, (0) .25mm

DSCH120 Series Shims

Individual Shim	Thickness
DSCH120-M010	.10 mm
DSCH120-M020	.20 mm
DSCH120-M025	.25 mm
DSCH120-M050	.50 mm
DSCH120-M100	1.00 mm
DSCH120-M200	2.00 mm
DSCH120-M500	5.00 mm

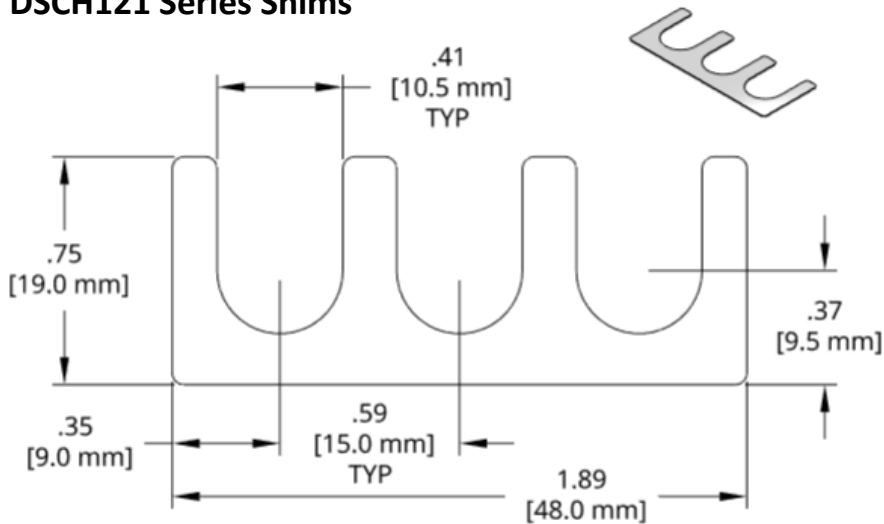


Full Hard 1010 steel shim stock.

Add a **K** to the end of the Bulk Set number for assembled (kitted) sets.

Bulk Set	Thick	Set Includes
DSCH120-M305	3.0mm	(0) 2.00mm, (2) 1.00mm, (1) .50mm, (2) .25mm
DSCH120-M454	4.5mm	(1) 2.00mm, (2) 1.00mm, (1) .50mm, (0) .25mm
DSCH120-M505	5.0mm	(1) 2.00mm, (2) 1.00mm, (2) .50mm, (0) .25mm
DSCH120-M506	5.0mm	(1) 2.00mm, (2) 1.00mm, (1) .50mm, (2) .25mm
DSCH120-M507	5.0mm	(1) 2.00mm, (1) 1.00mm, (3) .50mm, (2) .25mm
DSCH120-M605	6.0mm	(2) 2.00mm, (1) 1.00mm, (2) .50mm, (0) .25mm
DSCH120-M706	7.0mm	(2) 2.00mm, (2) 1.00mm, (2) .50mm, (0) .25mm

DSCH121 Series Shims



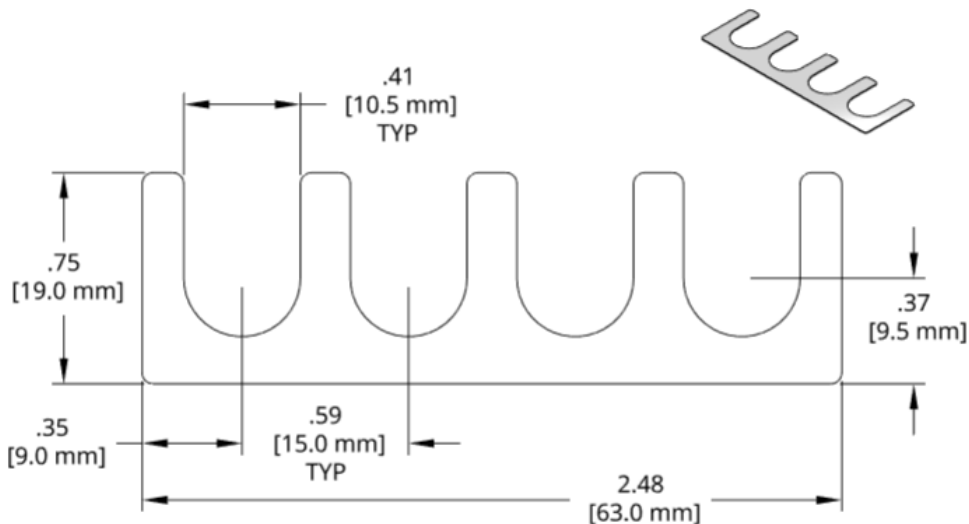
Individual Shim	Thickness
DSCH121-M010	.10 mm
DSCH121-M020	.20 mm
DSCH121-M025	.25 mm
DSCH121-M050	.50 mm
DSCH121-M100	1.00 mm
DSCH121-M200	2.00 mm
DSCH121-M500	5.00 mm

Bulk Set	Thick	Set Includes
DSCH121-M305	3.0mm	(0) 2.00mm, (2) 1.00mm, (1) .50mm, (2) .25mm
DSCH121-M454	4.5mm	(1) 2.00mm, (2) 1.00mm, (1) .50mm, (0) .25mm
DSCH121-M505	5.0mm	(1) 2.00mm, (2) 1.00mm, (2) .50mm, (0) .25mm
DSCH121-M506	5.0mm	(1) 2.00mm, (2) 1.00mm, (1) .50mm, (2) .25mm
DSCH121-M507	5.0mm	(1) 2.00mm, (1) 1.00mm, (3) .50mm, (2) .25mm
DSCH121-M605	6.0mm	(2) 2.00mm, (1) 1.00mm, (2) .50mm, (0) .25mm
DSCH121-M706	7.0mm	(2) 2.00mm, (2) 1.00mm, (2) .50mm, (0) .25mm

Full Hard 1010 steel shim stock.

Add a **K** to the end of the Bulk Set number for assembled (kitted) sets.

DSCH122 Series Shims



Individual Shims	Thickness
DSCH122-M010	.10 mm
DSCH122-M020	.20 mm
DSCH122-M025	.25 mm
DSCH122-M050	.50 mm
DSCH122-M100	1.00 mm
DSCH122-M200	2.00 mm
DSCH122-M500	5.00 mm

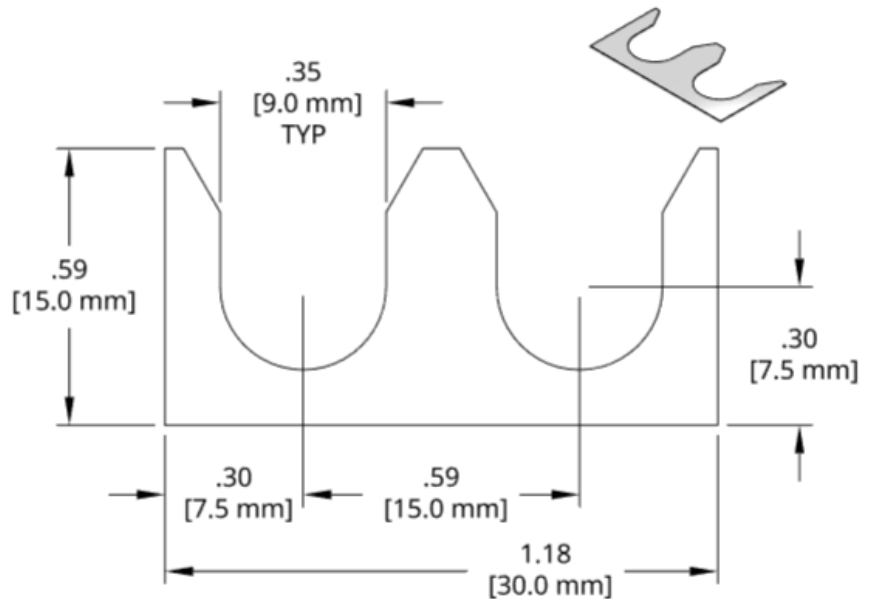
Set	Thick	Set Includes
DSCH122-M305	3.0mm	(0) 2.00mm, (2) 1.00mm, (1) .50mm, (2) .25mm
DSCH122-M454	4.5mm	(1) 2.00mm, (2) 1.00mm, (1) .50mm, (0) .25mm
DSCH122-M505	5.0mm	(1) 2.00mm, (2) 1.00mm, (2) .50mm, (0) .25mm
DSCH122-M506	5.0mm	(1) 2.00mm, (2) 1.00mm, (1) .50mm, (2) .25mm
DSCH122-M507	5.0mm	(1) 2.00mm, (1) 1.00mm, (3) .50mm, (2) .25mm
DSCH122-M605	6.0mm	(2) 2.00mm, (1) 1.00mm, (2) .50mm, (0) .25mm
DSCH122-M706	7.0mm	(2) 2.00mm, (2) 1.00mm, (2) .50mm, (0) .25mm

Full Hard 1010 steel shim stock.

Add a **K** to the end of the Bulk Set number for assembled (kitted) sets.

DSCH123 Series Shims

Individual Shim	Thickness
DSCH123-M010	.10 mm
DSCH123-M020	.20 mm
DSCH123-M025	.25 mm
DSCH123-M050	.50 mm
DSCH123-M100	1.00 mm
DSCH123-M200	2.00 mm
DSCH123-M500	5.00 mm



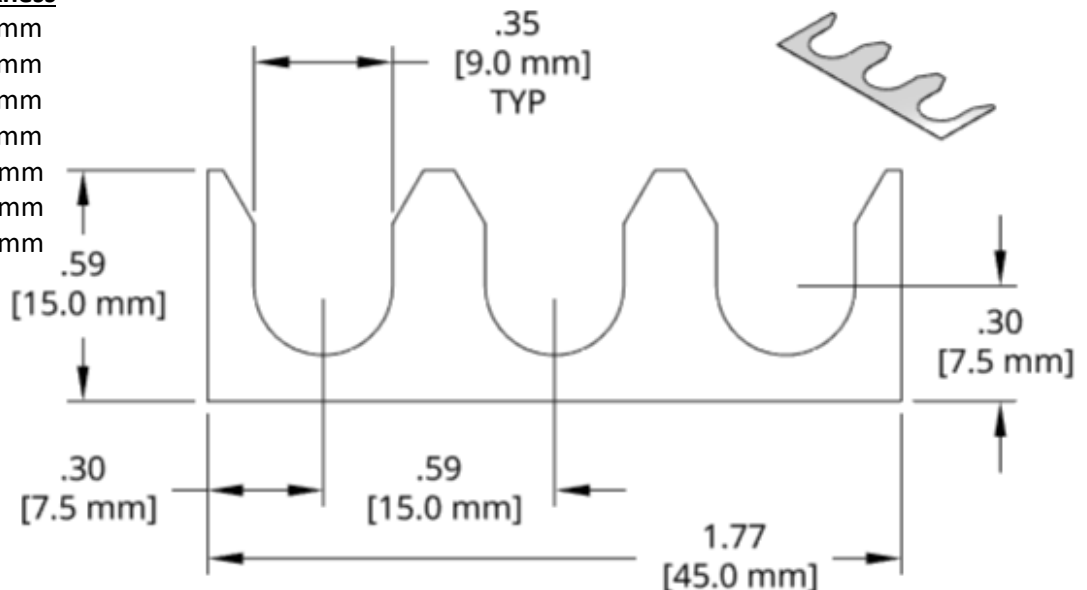
Bulk Set	Thick	Set Includes
DSCH123-M305	3.0mm	(0) 2.00mm, (2) 1.00mm, (1) .50mm, (2) .25mm
DSCH123-M454	4.5mm	(1) 2.00mm, (2) 1.00mm, (1) .50mm, (0) .25mm
DSCH123-M505	5.0mm	(1) 2.00mm, (2) 1.00mm, (2) .50mm, (0) .25mm
DSCH123-M506	5.0mm	(1) 2.00mm, (2) 1.00mm, (1) .50mm, (2) .25mm
DSCH123-M507	5.0mm	(1) 2.00mm, (1) 1.00mm, (3) .50mm, (2) .25mm
DSCH123-M605	6.0mm	(2) 2.00mm, (1) 1.00mm, (2) .50mm, (0) .25mm
DSCH123-M706	7.0mm	(2) 2.00mm, (2) 1.00mm, (2) .50mm, (0) .25mm

Full Hard 1010 steel shim stock.

Add a **K** to the end of the Bulk Set number for assembled (kitted) sets.

DSCH124 Series Shims

Individual Shim	Thickness
DSCH124-M010	.10 mm
DSCH124-M020	.20 mm
DSCH124-M025	.25 mm
DSCH124-M050	.50 mm
DSCH124-M100	1.00 mm
DSCH124-M200	2.00 mm
DSCH124-M500	5.00 mm

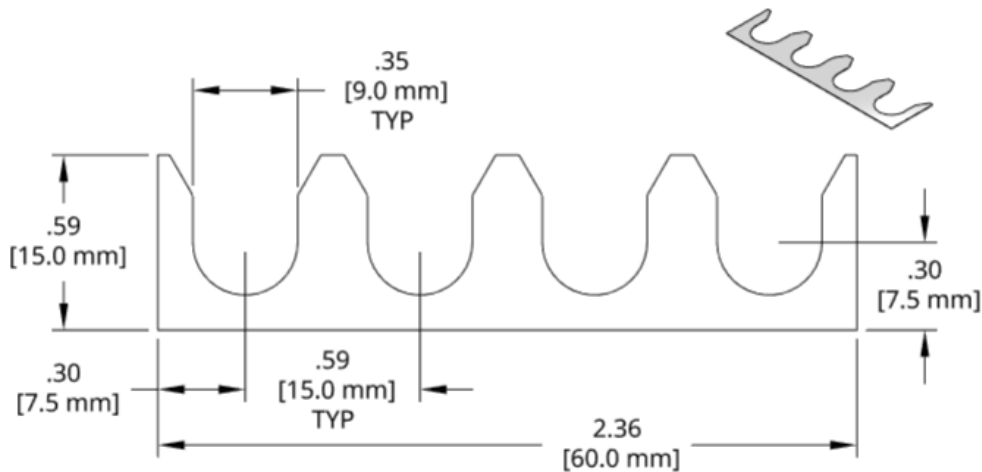


Bulk Set	Thick	Set Includes
DSCH124-M305	3.0mm	(0) 2.00mm, (2) 1.00mm, (1) .50mm, (2) .25mm
DSCH124-M454	4.5mm	(1) 2.00mm, (2) 1.00mm, (1) .50mm, (0) .25mm
DSCH124-M505	5.0mm	(1) 2.00mm, (2) 1.00mm, (2) .50mm, (0) .25mm
DSCH124-M506	5.0mm	(1) 2.00mm, (2) 1.00mm, (1) .50mm, (2) .25mm
DSCH124-M507	5.0mm	(1) 2.00mm, (1) 1.00mm, (3) .50mm, (2) .25mm
DSCH124-M605	6.0mm	(2) 2.00mm, (1) 1.00mm, (2) .50mm, (0) .25mm
DSCH124-M706	7.0mm	(2) 2.00mm, (2) 1.00mm, (2) .50mm, (0) .25mm

Full Hard 1010 steel shim stock.

Add a **K** to the end of the Bulk Set number for assembled (kitted) sets.

DSCH125 Series Shims



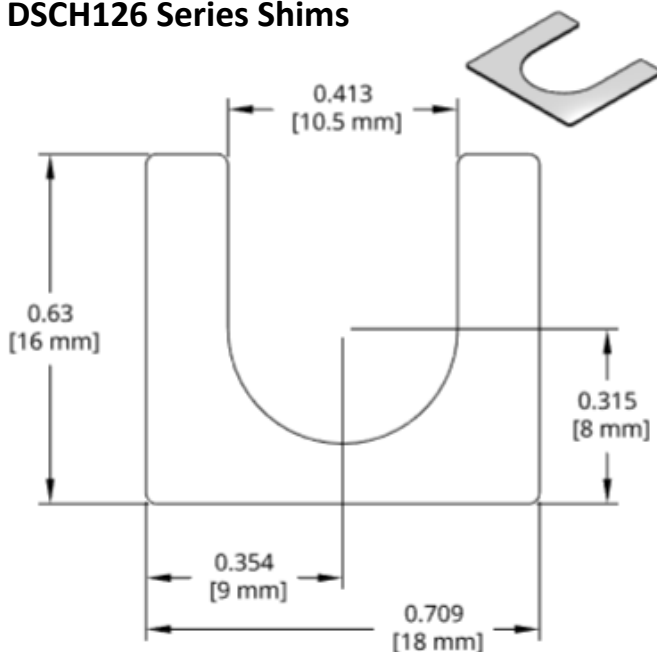
Individual Shim	Thickness
DSCH125-M010	.10 mm
DSCH125-M020	.20 mm
DSCH125-M025	.25 mm
DSCH125-M050	.50 mm
DSCH125-M100	1.00 mm
DSCH125-M200	2.00 mm
DSCH125-M500	5.00 mm

Bulk Set	Thick	Set Includes
DSCH125-M305	3.0mm	(0) 2.00mm, (2) 1.00mm, (1) .50mm, (2) .25mm
DSCH125-M454	4.5mm	(1) 2.00mm, (2) 1.00mm, (1) .50mm, (0) .25mm
DSCH125-M505	5.0mm	(1) 2.00mm, (2) 1.00mm, (2) .50mm, (0) .25mm
DSCH125-M506	5.0mm	(1) 2.00mm, (2) 1.00mm, (1) .50mm, (2) .25mm
DSCH125-M507	5.0mm	(1) 2.00mm, (1) 1.00mm, (3) .50mm, (2) .25mm
DSCH125-M605	6.0mm	(2) 2.00mm, (1) 1.00mm, (2) .50mm, (0) .25mm
DSCH125-M706	7.0mm	(2) 2.00mm, (2) 1.00mm, (2) .50mm, (0) .25mm

Full Hard 1010 steel shim stock.

Add a **K** to the end of the Bulk Set number for assembled (kitted) sets.

DSCH126 Series Shims



Individual Shims	Thickness
DSCH126-M010	.10 mm
DSCH126-M020	.20 mm
DSCH126-M025	.25 mm
DSCH126-M050	.50 mm
DSCH126-M100	1.00 mm
DSCH126-M200	2.00 mm
DSCH126-M500	5.00 mm

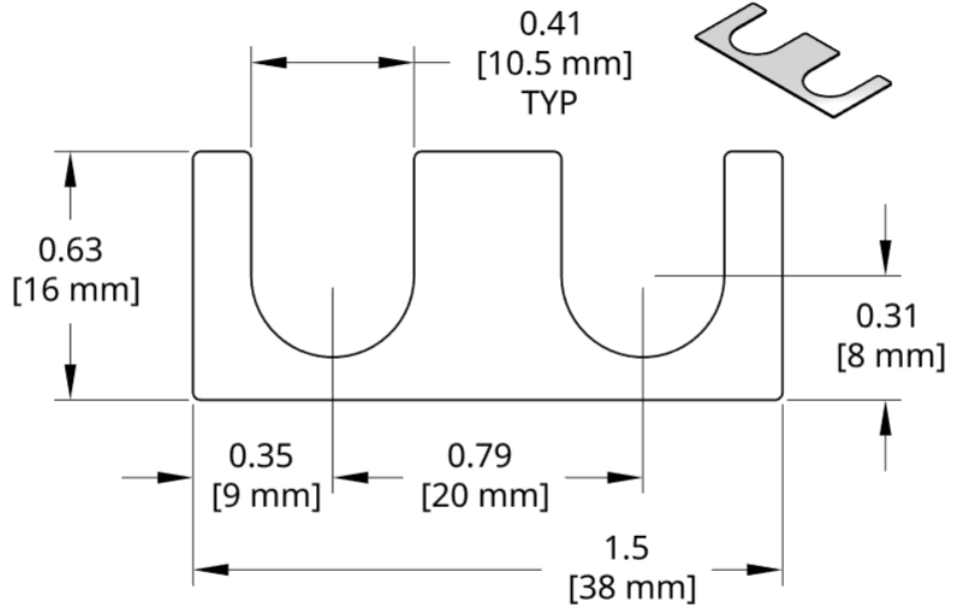
Set	Thick	Set Includes
DSCH126-M305	3.0mm	(0) 2.00mm, (2) 1.00mm, (1) .50mm, (2) .25mm
DSCH126-M454	4.5mm	(1) 2.00mm, (2) 1.00mm, (1) .50mm, (0) .25mm
DSCH126-M505	5.0mm	(1) 2.00mm, (2) 1.00mm, (2) .50mm, (0) .25mm
DSCH126-M506	5.0mm	(1) 2.00mm, (2) 1.00mm, (1) .50mm, (2) .25mm
DSCH126-M507	5.0mm	(1) 2.00mm, (1) 1.00mm, (3) .50mm, (2) .25mm
DSCH126-M605	6.0mm	(2) 2.00mm, (1) 1.00mm, (2) .50mm, (0) .25mm
DSCH126-M706	7.0mm	(2) 2.00mm, (2) 1.00mm, (2) .50mm, (0) .25mm

Full Hard 1010 steel shim stock.

Add a **K** to the end of the Bulk Set number for assembled (kitted) sets.

DSCH127 Series Shims

Individual Shim	Thickness
DSCH127-M010	.10 mm
DSCH127-M020	.20 mm
DSCH127-M025	.25 mm
DSCH127-M050	.50 mm
DSCH127-M100	1.00 mm
DSCH127-M200	2.00 mm
DSCH127-M500	5.00 mm

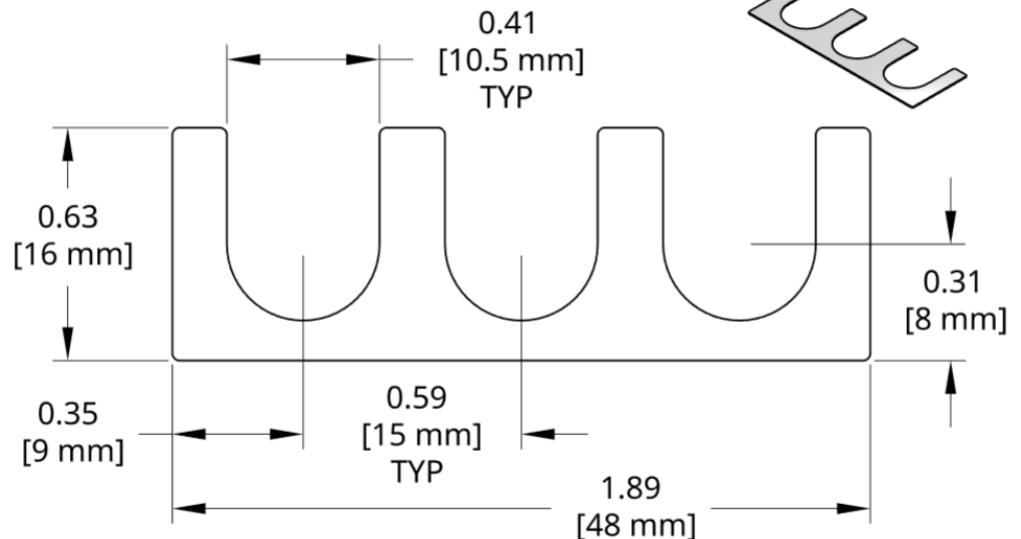


Bulk Set	Thick	Set Includes
DSCH127-M305	3.0mm	(0) 2.00mm, (2) 1.00mm, (1) .50mm, (2) .25mm
DSCH127-M454	4.5mm	(1) 2.00mm, (2) 1.00mm, (1) .50mm, (0) .25mm
DSCH127-M505	5.0mm	(1) 2.00mm, (2) 1.00mm, (2) .50mm, (0) .25mm
DSCH127-M506	5.0mm	(1) 2.00mm, (2) 1.00mm, (1) .50mm, (2) .25mm
DSCH127-M507	5.0mm	(1) 2.00mm, (1) 1.00mm, (3) .50mm, (2) .25mm
DSCH127-M605	6.0mm	(2) 2.00mm, (1) 1.00mm, (2) .50mm, (0) .25mm
DSCH127-M706	7.0mm	(2) 2.00mm, (2) 1.00mm, (2) .50mm, (0) .25mm

Full Hard 1010 steel shim stock.

Add a **K** to the end of the Bulk Set number for assembled (kitted) sets.**DSCH128 Series Shims**

Individual Shim	Thickness
DSCH128-M010	.10 mm
DSCH128-M020	.20 mm
DSCH128-M025	.25 mm
DSCH128-M050	.50 mm
DSCH128-M100	1.00 mm
DSCH128-M200	2.00 mm
DSCH128-M500	5.00 mm

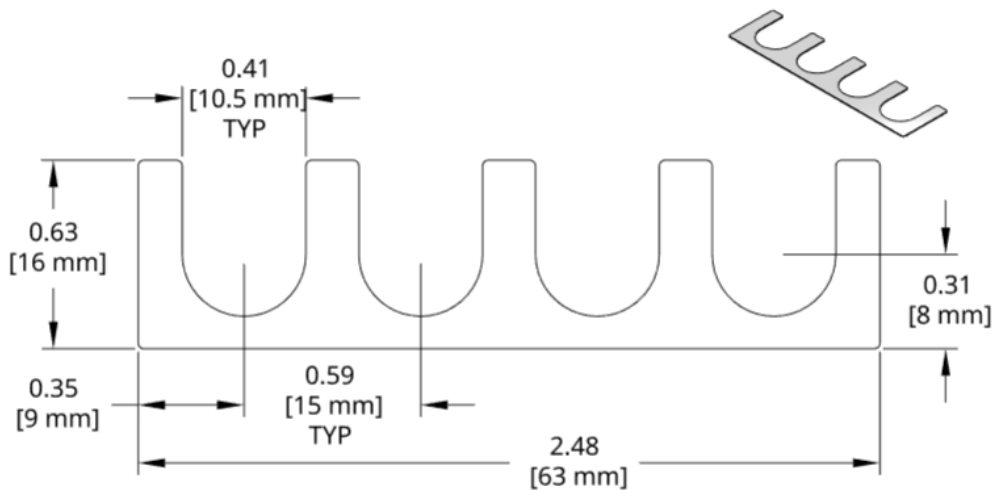


Bulk Set	Thick	Set Includes
DSCH128-M305	3.0mm	(0) 2.00mm, (2) 1.00mm, (1) .50mm, (2) .25mm
DSCH128-M454	4.5mm	(1) 2.00mm, (2) 1.00mm, (1) .50mm, (0) .25mm
DSCH128-M505	5.0mm	(1) 2.00mm, (2) 1.00mm, (2) .50mm, (0) .25mm
DSCH128-M506	5.0mm	(1) 2.00mm, (2) 1.00mm, (1) .50mm, (2) .25mm
DSCH128-M507	5.0mm	(1) 2.00mm, (1) 1.00mm, (3) .50mm, (2) .25mm
DSCH128-M605	6.0mm	(2) 2.00mm, (1) 1.00mm, (2) .50mm, (0) .25mm
DSCH128-M706	7.0mm	(2) 2.00mm, (2) 1.00mm, (2) .50mm, (0) .25mm

Full Hard 1010 steel shim stock.

Add a **K** to the end of the Bulk Set number for assembled (kitted) sets.

DSCH129 Series Shims



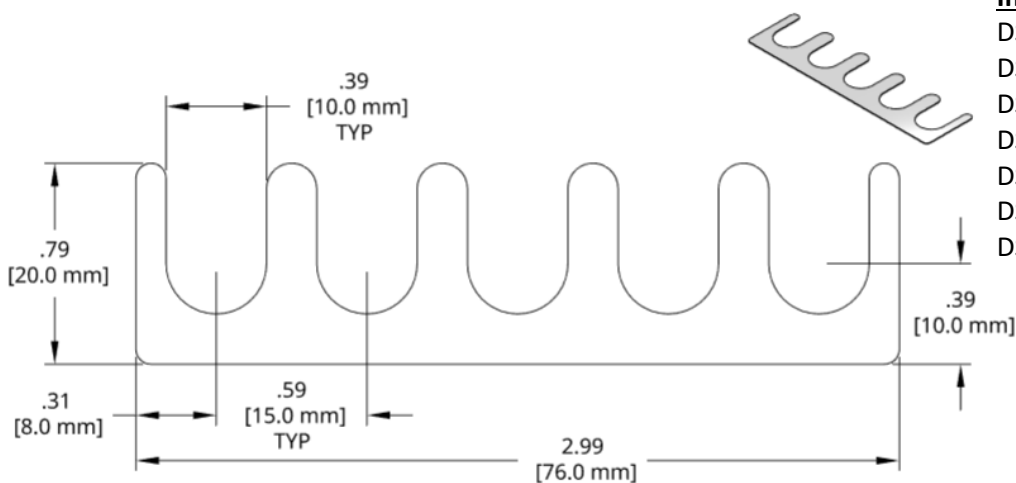
Individual Shim	Thickness
DSCH129-M010	.10 mm
DSCH129-M020	.20 mm
DSCH129-M025	.25 mm
DSCH129-M050	.50 mm
DSCH129-M100	1.00 mm
DSCH129-M200	2.00 mm
DSCH129-M500	5.00 mm

Bulk Set	Thick	Set Includes
DSCH129-M305	3.0mm	(0) 2.00mm, (2) 1.00mm, (1) .50mm, (2) .25mm
DSCH129-M454	4.5mm	(1) 2.00mm, (2) 1.00mm, (1) .50mm, (0) .25mm
DSCH129-M505	5.0mm	(1) 2.00mm, (2) 1.00mm, (2) .50mm, (0) .25mm
DSCH129-M506	5.0mm	(1) 2.00mm, (2) 1.00mm, (1) .50mm, (2) .25mm
DSCH129-M507	5.0mm	(1) 2.00mm, (1) 1.00mm, (3) .50mm, (2) .25mm
DSCH129-M605	6.0mm	(2) 2.00mm, (1) 1.00mm, (2) .50mm, (0) .25mm
DSCH129-M706	7.0mm	(2) 2.00mm, (2) 1.00mm, (2) .50mm, (0) .25mm

Full Hard 1010 steel shim stock.

Add a **K** to the end of the Bulk Set number for assembled (kitted) sets.

DSCH130 Series Shims



Individual Shims	Thickness
DSCH130-M010	.10 mm
DSCH130-M020	.20 mm
DSCH130-M025	.25 mm
DSCH130-M050	.50 mm
DSCH130-M100	1.00 mm
DSCH130-M200	2.00 mm
DSCH130-M500	5.00 mm

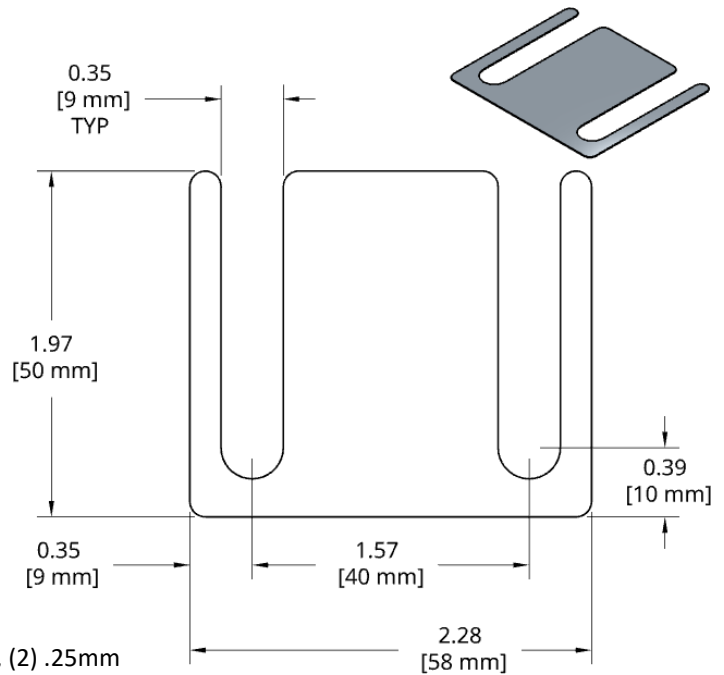
Set	Thick	Set Includes
DSCH130-M305	3.0mm	(0) 2.00mm, (2) 1.00mm, (1) .50mm, (2) .25mm
DSCH130-M454	4.5mm	(1) 2.00mm, (2) 1.00mm, (1) .50mm, (0) .25mm
DSCH130-M505	5.0mm	(1) 2.00mm, (2) 1.00mm, (2) .50mm, (0) .25mm
DSCH130-M506	5.0mm	(1) 2.00mm, (2) 1.00mm, (1) .50mm, (2) .25mm
DSCH130-M507	5.0mm	(1) 2.00mm, (1) 1.00mm, (3) .50mm, (2) .25mm
DSCH130-M605	6.0mm	(2) 2.00mm, (1) 1.00mm, (2) .50mm, (0) .25mm
DSCH130-M706	7.0mm	(2) 2.00mm, (2) 1.00mm, (2) .50mm, (0) .25mm

Full Hard 1010 steel shim stock.

Add a **K** to the end of the Bulk Set number for assembled (kitted) sets.

DSCH131 Series Shims

Individual Shim	Thickness
DSCH131-M010	.10 mm
DSCH131-M020	.20 mm
DSCH131-M025	.25 mm
DSCH131-M050	.50 mm
DSCH131-M100	1.00 mm
DSCH131-M200	2.00 mm
DSCH131-M500	5.00 mm



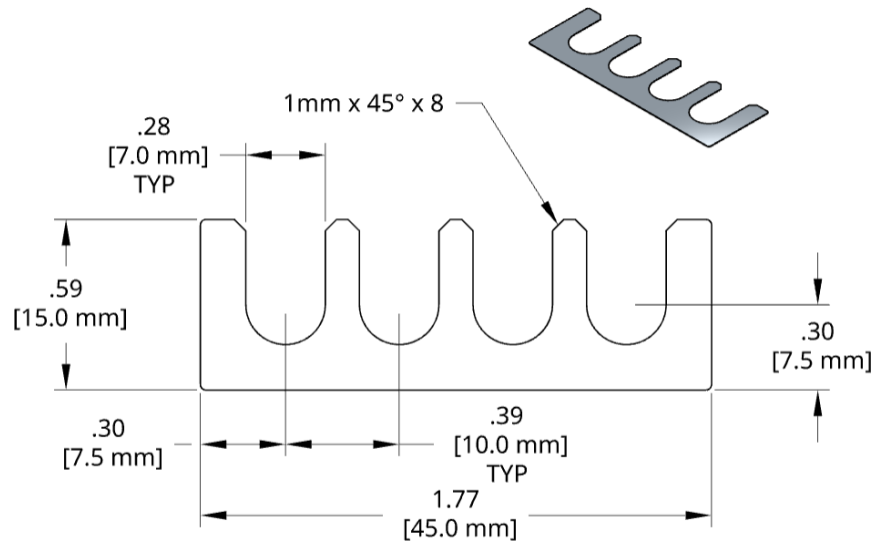
Full Hard 1010 steel shim stock.

Add a **K** to the end of the Bulk Set number for assembled (kitted) sets.

Bulk Set	Thick	Set Includes
DSCH131-M305	3.0mm	(0) 2.00mm, (2) 1.00mm, (1) .50mm, (2) .25mm
DSCH131-M454	4.5mm	(1) 2.00mm, (2) 1.00mm, (1) .50mm, (0) .25mm
DSCH131-M505	5.0mm	(1) 2.00mm, (2) 1.00mm, (2) .50mm, (0) .25mm
DSCH131-M506	5.0mm	(1) 2.00mm, (2) 1.00mm, (1) .50mm, (2) .25mm
DSCH131-M507	5.0mm	(1) 2.00mm, (1) 1.00mm, (3) .50mm, (2) .25mm
DSCH131-M605	6.0mm	(2) 2.00mm, (1) 1.00mm, (2) .50mm, (0) .25mm
DSCH131-M706	7.0mm	(2) 2.00mm, (2) 1.00mm, (2) .50mm, (0) .25mm

DSCH132 Series Shims

Individual Shim	Thickness
DSCH132-M010	.10 mm
DSCH132-M020	.20 mm
DSCH132-M025	.25 mm
DSCH132-M050	.50 mm
DSCH132-M100	1.00 mm
DSCH132-M200	2.00 mm
DSCH132-M500	5.00 mm

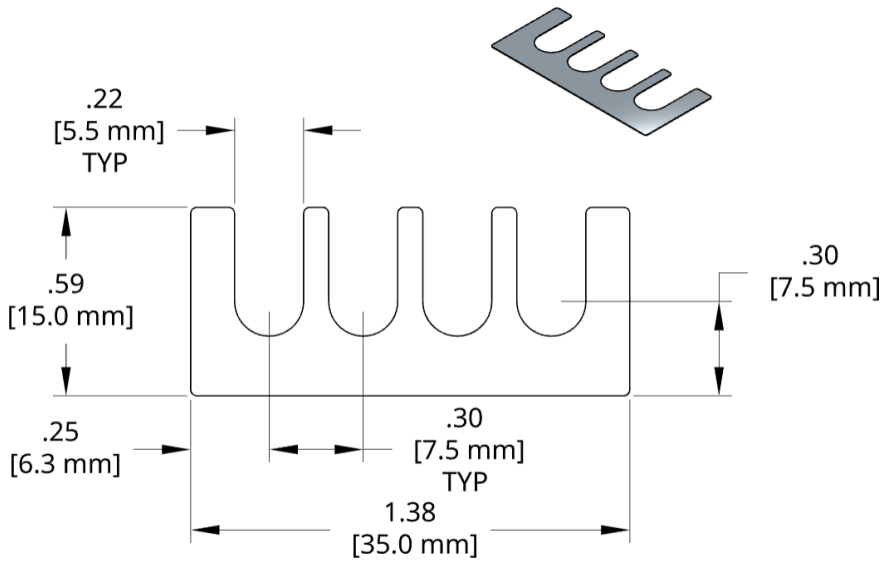


Full Hard 1010 steel shim stock.

Add a **K** to the end of the Bulk Set number for assembled (kitted) sets.

Bulk Set	Thick	Set Includes
DSCH132-M305	3.0mm	(0) 2.00mm, (2) 1.00mm, (1) .50mm, (2) .25mm
DSCH132-M454	4.5mm	(1) 2.00mm, (2) 1.00mm, (1) .50mm, (0) .25mm
DSCH132-M505	5.0mm	(1) 2.00mm, (2) 1.00mm, (2) .50mm, (0) .25mm
DSCH132-M506	5.0mm	(1) 2.00mm, (2) 1.00mm, (1) .50mm, (2) .25mm
DSCH132-M507	5.0mm	(1) 2.00mm, (1) 1.00mm, (3) .50mm, (2) .25mm
DSCH132-M605	6.0mm	(2) 2.00mm, (1) 1.00mm, (2) .50mm, (0) .25mm
DSCH132-M706	7.0mm	(2) 2.00mm, (2) 1.00mm, (2) .50mm, (0) .25mm

DSCH133 Series Shims



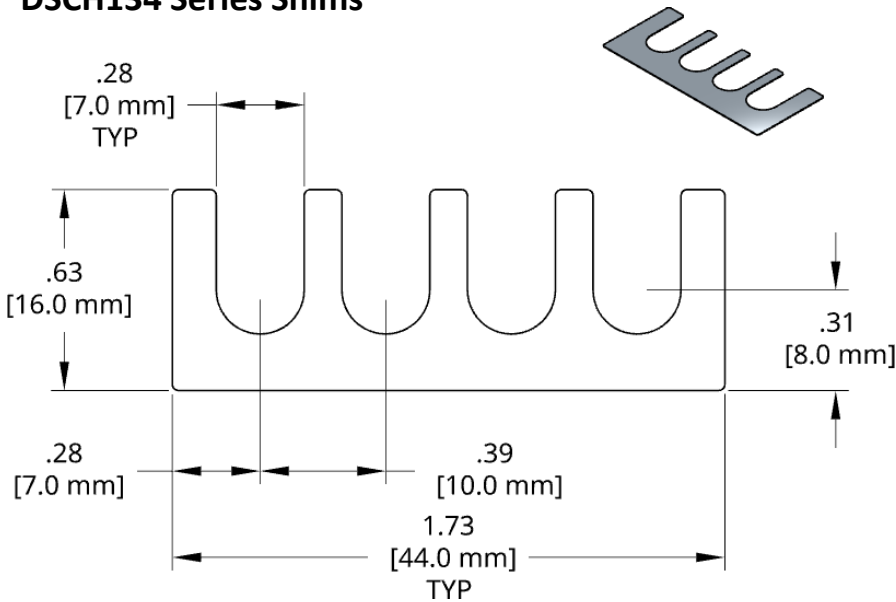
Individual Shim	Thickness
DSCH133-M010	.10 mm
DSCH133-M020	.20 mm
DSCH133-M025	.25 mm
DSCH133-M050	.50 mm
DSCH133-M100	1.00 mm
DSCH133-M200	2.00 mm
DSCH133-M500	5.00 mm

Bulk Set	Thick	Set Includes
DSCH133-M305	3.0mm	(0) 2.00mm, (2) 1.00mm, (1) .50mm, (2) .25mm
DSCH133-M454	4.5mm	(1) 2.00mm, (2) 1.00mm, (1) .50mm, (0) .25mm
DSCH133-M505	5.0mm	(1) 2.00mm, (2) 1.00mm, (2) .50mm, (0) .25mm
DSCH133-M506	5.0mm	(1) 2.00mm, (2) 1.00mm, (1) .50mm, (2) .25mm
DSCH133-M507	5.0mm	(1) 2.00mm, (1) 1.00mm, (3) .50mm, (2) .25mm
DSCH133-M605	6.0mm	(2) 2.00mm, (1) 1.00mm, (2) .50mm, (0) .25mm
DSCH133-M706	7.0mm	(2) 2.00mm, (2) 1.00mm, (2) .50mm, (0) .25mm

Full Hard 1010 steel shim stock.

Add a **K** to the end of the Bulk Set number for assembled (kitted) sets.

DSCH134 Series Shims



Individual Shims	Thickness
DSCH134-M010	.10 mm
DSCH134-M020	.20 mm
DSCH134-M025	.25 mm
DSCH134-M050	.50 mm
DSCH134-M100	1.00 mm
DSCH134-M200	2.00 mm
DSCH134-M500	5.00 mm

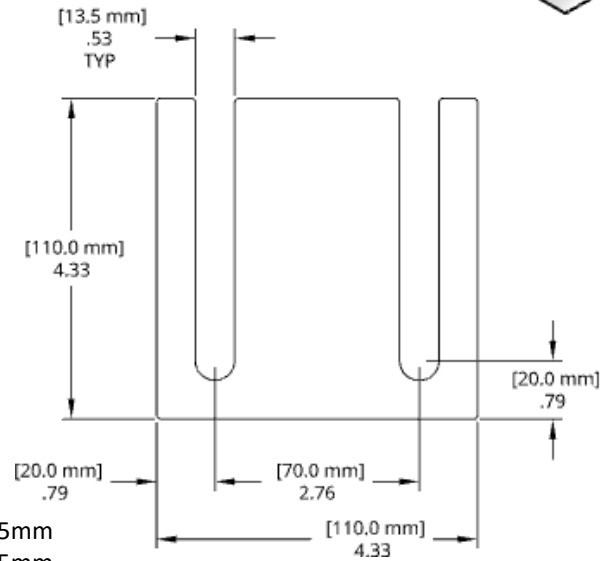
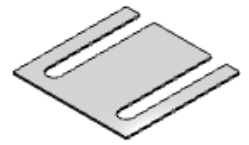
Set	Thick	Set Includes
DSCH134-M305	3.0mm	(0) 2.00mm, (2) 1.00mm, (1) .50mm, (2) .25mm
DSCH134-M454	4.5mm	(1) 2.00mm, (2) 1.00mm, (1) .50mm, (0) .25mm
DSCH134-M505	5.0mm	(1) 2.00mm, (2) 1.00mm, (2) .50mm, (0) .25mm
DSCH134-M506	5.0mm	(1) 2.00mm, (2) 1.00mm, (1) .50mm, (2) .25mm
DSCH134-M507	5.0mm	(1) 2.00mm, (1) 1.00mm, (3) .50mm, (2) .25mm
DSCH134-M605	6.0mm	(2) 2.00mm, (1) 1.00mm, (2) .50mm, (0) .25mm
DSCH134-M706	7.0mm	(2) 2.00mm, (2) 1.00mm, (2) .50mm, (0) .25mm

Full Hard 1010 steel shim stock.

Add a **K** to the end of the Bulk Set number for assembled (kitted) sets.

DSCH135 Series Shims

Individual Shim	Thickness
DSCH135-M010	.10 mm
DSCH135-M020	.20 mm
DSCH135-M025	.25 mm
DSCH135-M050	.50 mm
DSCH135-M100	1.00 mm
DSCH135-M200	2.00 mm
DSCH135-M500	5.00 mm



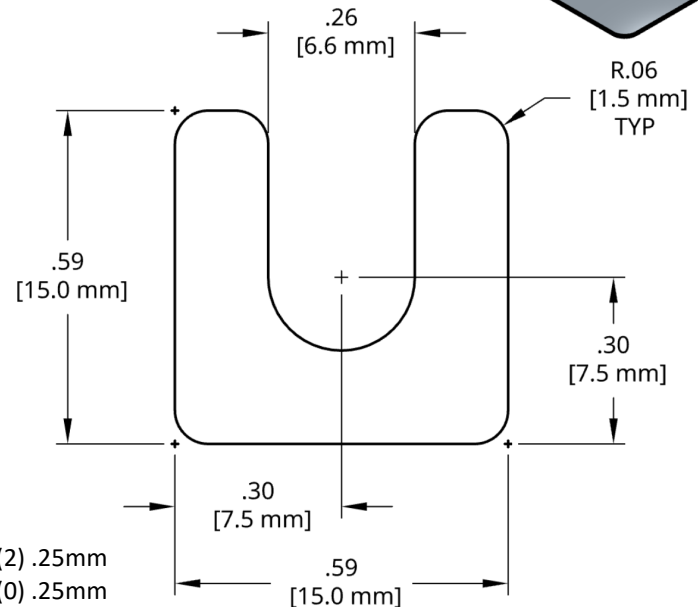
Full Hard 1010 steel shim stock.

Add a **K** to the end of the Bulk Set number for assembled (kitted) sets.

Bulk Set	Thick	Set Includes
DSCH135-M305	3.0mm	(0) 2.00mm, (2) 1.00mm, (1) .50mm, (2) .25mm
DSCH135-M454	4.5mm	(1) 2.00mm, (2) 1.00mm, (1) .50mm, (0) .25mm
DSCH135-M505	5.0mm	(1) 2.00mm, (2) 1.00mm, (2) .50mm, (0) .25mm
DSCH135-M506	5.0mm	(1) 2.00mm, (2) 1.00mm, (1) .50mm, (2) .25mm
DSCH135-M507	5.0mm	(1) 2.00mm, (1) 1.00mm, (3) .50mm, (2) .25mm
DSCH135-M605	6.0mm	(2) 2.00mm, (1) 1.00mm, (2) .50mm, (0) .25mm
DSCH135-M706	7.0mm	(2) 2.00mm, (2) 1.00mm, (2) .50mm, (0) .25mm

DSCH136 Series Shims

Individual Shim	Thickness
DSCH136-M010	.10 mm
DSCH136-M020	.20 mm
DSCH136-M025	.25 mm
DSCH136-M050	.50 mm
DSCH136-M100	1.00 mm
DSCH136-M200	2.00 mm
DSCH136-M500	5.00 mm

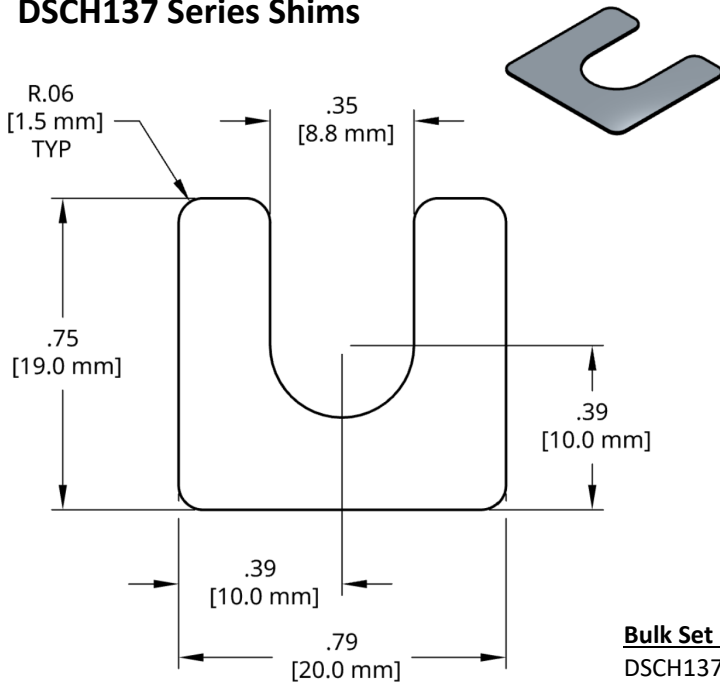


Full Hard 1010 steel shim stock.

Add a **K** to the end of the Bulk Set number for assembled (kitted) sets.

Bulk Set	Thick	Set Includes
DSCH136-M305	3.0mm	(0) 2.00mm, (2) 1.00mm, (1) .50mm, (2) .25mm
DSCH136-M454	4.5mm	(1) 2.00mm, (2) 1.00mm, (1) .50mm, (0) .25mm
DSCH136-M505	5.0mm	(1) 2.00mm, (2) 1.00mm, (2) .50mm, (0) .25mm
DSCH136-M506	5.0mm	(1) 2.00mm, (2) 1.00mm, (1) .50mm, (2) .25mm
DSCH136-M507	5.0mm	(1) 2.00mm, (1) 1.00mm, (3) .50mm, (2) .25mm
DSCH136-M605	6.0mm	(2) 2.00mm, (1) 1.00mm, (2) .50mm, (0) .25mm
DSCH136-M706	7.0mm	(2) 2.00mm, (2) 1.00mm, (2) .50mm, (0) .25mm

DSCH137 Series Shims



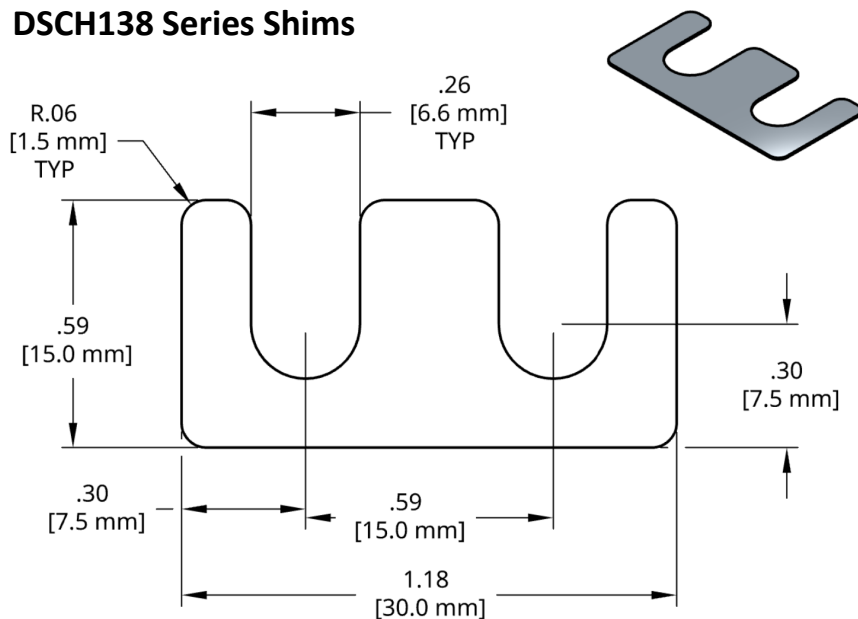
Individual Shim	Thickness
DSCH137-M010	.10 mm
DSCH137-M020	.20 mm
DSCH137-M025	.25 mm
DSCH137-M050	.50 mm
DSCH137-M100	1.00 mm
DSCH137-M200	2.00 mm
DSCH137-M500	5.00 mm

Full Hard 1010 steel shim stock.

Add a **K** to the end of the Bulk Set number for assembled (kitted) sets.

Bulk Set	Thick	Set Includes
DSCH137-M305	3.0mm	(0) 2.00mm, (2) 1.00mm, (1) .50mm, (2) .25mm
DSCH137-M454	4.5mm	(1) 2.00mm, (2) 1.00mm, (1) .50mm, (0) .25mm
DSCH137-M505	5.0mm	(1) 2.00mm, (2) 1.00mm, (2) .50mm, (0) .25mm
DSCH137-M506	5.0mm	(1) 2.00mm, (2) 1.00mm, (1) .50mm, (2) .25mm
DSCH137-M507	5.0mm	(1) 2.00mm, (1) 1.00mm, (3) .50mm, (2) .25mm
DSCH137-M605	6.0mm	(2) 2.00mm, (1) 1.00mm, (2) .50mm, (0) .25mm
DSCH137-M706	7.0mm	(2) 2.00mm, (2) 1.00mm, (2) .50mm, (0) .25mm

DSCH138 Series Shims



Individual Shims	Thickness
DSCH138-M010	.10 mm
DSCH138-M020	.20 mm
DSCH138-M025	.25 mm
DSCH138-M050	.50 mm
DSCH138-M100	1.00 mm
DSCH138-M200	2.00 mm
DSCH138-M500	5.00 mm

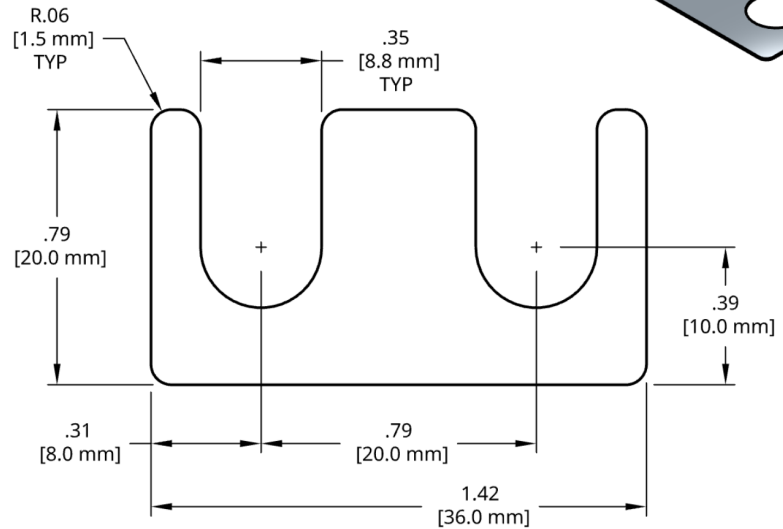
Full Hard 1010 steel shim stock.

Add a **K** to the end of the Bulk Set number for assembled (kitted) sets.

Set	Thick	Set Includes
DSCH138-M305	3.0mm	(0) 2.00mm, (2) 1.00mm, (1) .50mm, (2) .25mm
DSCH138-M454	4.5mm	(1) 2.00mm, (2) 1.00mm, (1) .50mm, (0) .25mm
DSCH138-M505	5.0mm	(1) 2.00mm, (2) 1.00mm, (2) .50mm, (0) .25mm
DSCH138-M506	5.0mm	(1) 2.00mm, (2) 1.00mm, (1) .50mm, (2) .25mm
DSCH138-M507	5.0mm	(1) 2.00mm, (1) 1.00mm, (3) .50mm, (2) .25mm
DSCH138-M605	6.0mm	(2) 2.00mm, (1) 1.00mm, (2) .50mm, (0) .25mm
DSCH138-M706	7.0mm	(2) 2.00mm, (2) 1.00mm, (2) .50mm, (0) .25mm

DSCH139 Series Shims

Individual Shim	Thickness
DSCH139-M010	.10 mm
DSCH139-M020	.20 mm
DSCH139-M025	.25 mm
DSCH139-M050	.50 mm
DSCH139-M100	1.00 mm
DSCH139-M200	2.00 mm
DSCH139-M500	5.00 mm



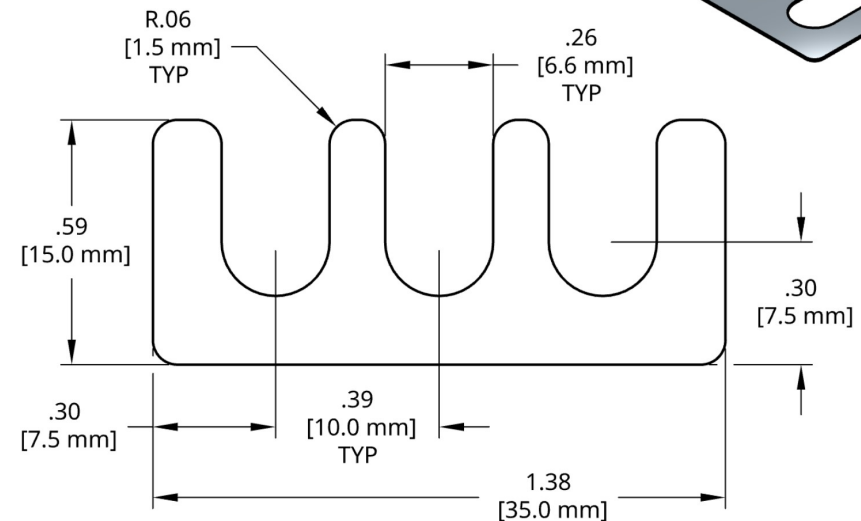
Bulk Set	Thick	Set Includes
DSCH139-M305	3.0mm	(0) 2.00mm, (2) 1.00mm, (1) .50mm, (2) .25mm
DSCH139-M454	4.5mm	(1) 2.00mm, (2) 1.00mm, (1) .50mm, (0) .25mm
DSCH139-M505	5.0mm	(1) 2.00mm, (2) 1.00mm, (2) .50mm, (0) .25mm
DSCH139-M506	5.0mm	(1) 2.00mm, (2) 1.00mm, (1) .50mm, (2) .25mm
DSCH139-M507	5.0mm	(1) 2.00mm, (1) 1.00mm, (3) .50mm, (2) .25mm
DSCH139-M605	6.0mm	(2) 2.00mm, (1) 1.00mm, (2) .50mm, (0) .25mm
DSCH139-M706	7.0mm	(2) 2.00mm, (2) 1.00mm, (2) .50mm, (0) .25mm

Full Hard 1010 steel shim stock.

Add a **K** to the end of the Bulk Set number for assembled (kitted) sets.

DSCH140 Series Shims

Individual Shim	Thickness
DSCH140-M010	.10 mm
DSCH140-M020	.20 mm
DSCH140-M025	.25 mm
DSCH140-M050	.50 mm
DSCH140-M100	1.00 mm
DSCH140-M200	2.00 mm
DSCH140-M500	5.00 mm

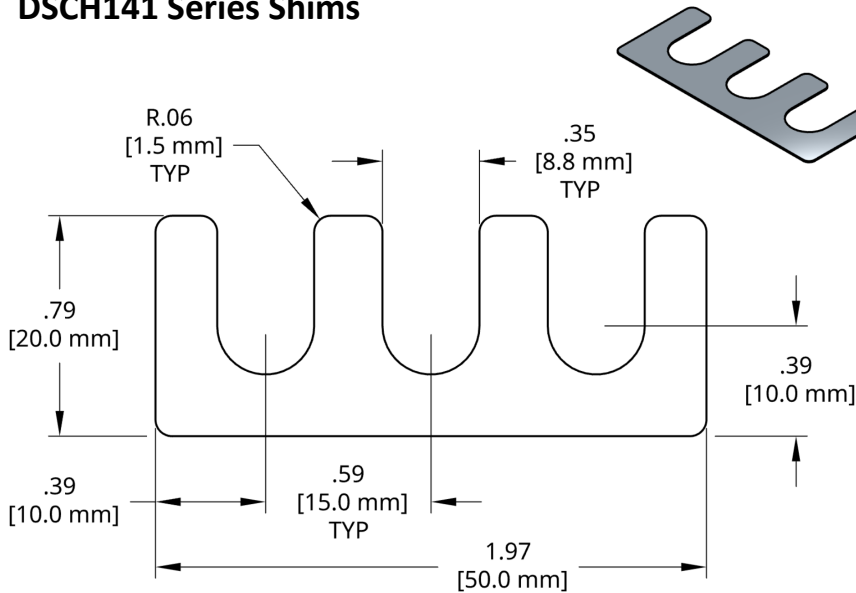


Bulk Set	Thick	Set Includes
DSCH140-M305	3.0mm	(0) 2.00mm, (2) 1.00mm, (1) .50mm, (2) .25mm
DSCH140-M454	4.5mm	(1) 2.00mm, (2) 1.00mm, (1) .50mm, (0) .25mm
DSCH140-M505	5.0mm	(1) 2.00mm, (2) 1.00mm, (2) .50mm, (0) .25mm
DSCH140-M506	5.0mm	(1) 2.00mm, (2) 1.00mm, (1) .50mm, (2) .25mm
DSCH140-M507	5.0mm	(1) 2.00mm, (1) 1.00mm, (3) .50mm, (2) .25mm
DSCH140-M605	6.0mm	(2) 2.00mm, (1) 1.00mm, (2) .50mm, (0) .25mm
DSCH140-M706	7.0mm	(2) 2.00mm, (2) 1.00mm, (2) .50mm, (0) .25mm

Full Hard 1010 steel shim stock.

Add a **K** to the end of the Bulk Set number for assembled (kitted) sets.

DSCH141 Series Shims



Individual Shim	Thickness
DSCH141-M010	.10 mm
DSCH141-M020	.20 mm
DSCH141-M025	.25 mm
DSCH141-M050	.50 mm
DSCH141-M100	1.00 mm
DSCH141-M200	2.00 mm
DSCH141-M500	5.00 mm

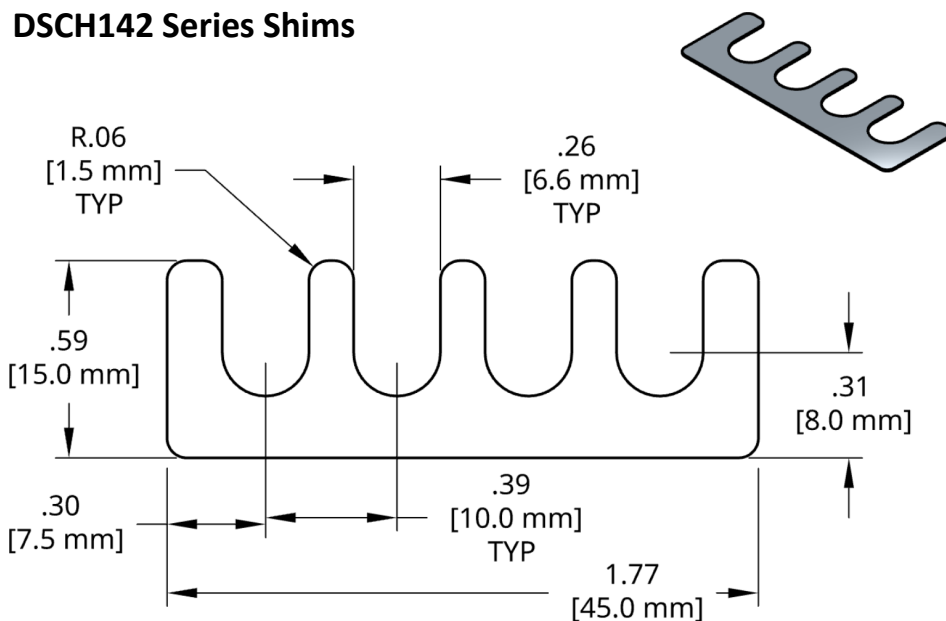
Bulk Set Thick Set Includes

Bulk Set	Thick	Set Includes
DSCH141-M305	3.0mm	(0) 2.00mm, (2) 1.00mm, (1) .50mm, (2) .25mm
DSCH141-M454	4.5mm	(1) 2.00mm, (2) 1.00mm, (1) .50mm, (0) .25mm
DSCH141-M505	5.0mm	(1) 2.00mm, (2) 1.00mm, (2) .50mm, (0) .25mm
DSCH141-M506	5.0mm	(1) 2.00mm, (2) 1.00mm, (1) .50mm, (2) .25mm
DSCH141-M507	5.0mm	(1) 2.00mm, (1) 1.00mm, (3) .50mm, (2) .25mm
DSCH141-M605	6.0mm	(2) 2.00mm, (1) 1.00mm, (2) .50mm, (0) .25mm
DSCH141-M706	7.0mm	(2) 2.00mm, (2) 1.00mm, (2) .50mm, (0) .25mm

Full Hard 1010 steel shim stock.

Add a **K** to the end of the Bulk Set number for assembled (kitted) sets.

DSCH142 Series Shims



Individual Shims	Thickness
DSCH142-M010	.10 mm
DSCH142-M020	.20 mm
DSCH142-M025	.25 mm
DSCH142-M050	.50 mm
DSCH142-M100	1.00 mm
DSCH142-M200	2.00 mm
DSCH142-M500	5.00 mm

Set Thick Set Includes

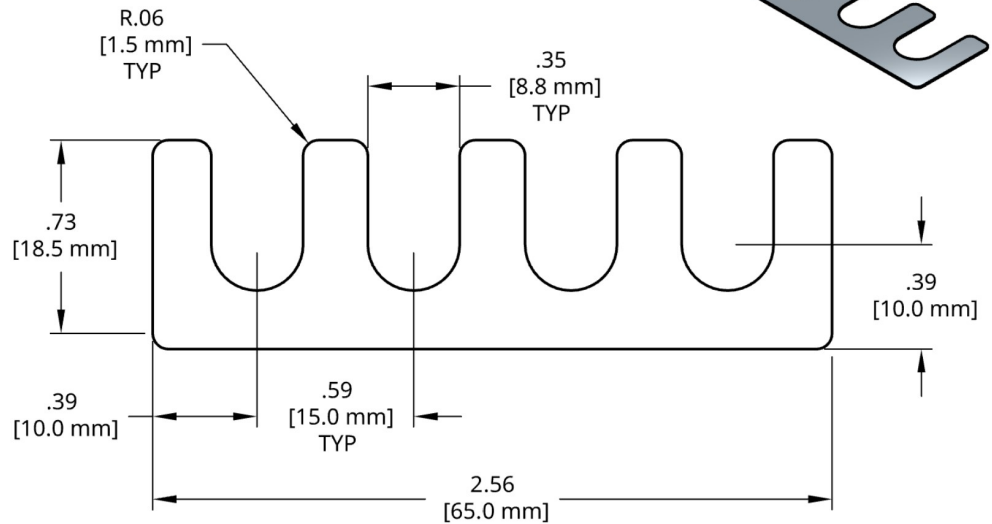
Set	Thick	Set Includes
DSCH142-M305	3.0mm	(0) 2.00mm, (2) 1.00mm, (1) .50mm, (2) .25mm
DSCH142-M454	4.5mm	(1) 2.00mm, (2) 1.00mm, (1) .50mm, (0) .25mm
DSCH142-M505	5.0mm	(1) 2.00mm, (2) 1.00mm, (2) .50mm, (0) .25mm
DSCH142-M506	5.0mm	(1) 2.00mm, (2) 1.00mm, (1) .50mm, (2) .25mm
DSCH142-M507	5.0mm	(1) 2.00mm, (1) 1.00mm, (3) .50mm, (2) .25mm
DSCH142-M605	6.0mm	(2) 2.00mm, (1) 1.00mm, (2) .50mm, (0) .25mm
DSCH142-M706	7.0mm	(2) 2.00mm, (2) 1.00mm, (2) .50mm, (0) .25mm

Full Hard 1010 steel shim stock.

Add a **K** to the end of the Bulk Set number for assembled (kitted) sets.

DSCH143 Series Shims

Individual Shim	Thickness
DSCH143-M010	.10 mm
DSCH143-M020	.20 mm
DSCH143-M025	.25 mm
DSCH143-M050	.50 mm
DSCH143-M100	1.00 mm
DSCH143-M200	2.00 mm
DSCH143-M500	5.00 mm



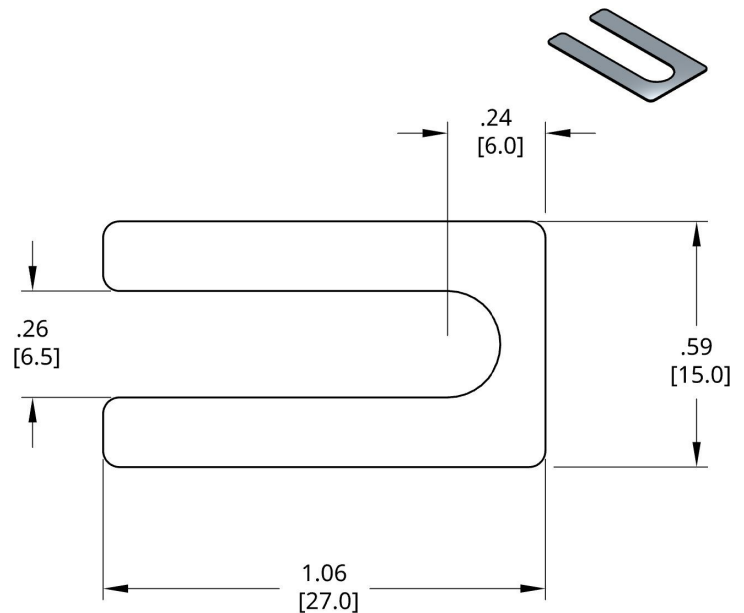
Bulk Set	Thick	Set Includes
DSCH143-M305	3.0mm	(0) 2.00mm, (2) 1.00mm, (1) .50mm, (2) .25mm
DSCH143-M454	4.5mm	(1) 2.00mm, (2) 1.00mm, (1) .50mm, (0) .25mm
DSCH143-M505	5.0mm	(1) 2.00mm, (2) 1.00mm, (2) .50mm, (0) .25mm
DSCH143-M506	5.0mm	(1) 2.00mm, (2) 1.00mm, (1) .50mm, (2) .25mm
DSCH143-M507	5.0mm	(1) 2.00mm, (1) 1.00mm, (3) .50mm, (2) .25mm
DSCH143-M605	6.0mm	(2) 2.00mm, (1) 1.00mm, (2) .50mm, (0) .25mm
DSCH143-M706	7.0mm	(2) 2.00mm, (2) 1.00mm, (2) .50mm, (0) .25mm

Full Hard 1010 steel shim stock.

Add a **K** to the end of the Bulk Set number for assembled (kitted) sets.

Individual Shim	Thickness
DSCH144-M010	.10 mm
DSCH144-M020	.20 mm
DSCH144-M025	.25 mm
DSCH144-M050	.50 mm
DSCH144-M100	1.00 mm
DSCH144-M200	2.00 mm
DSCH144-M500	5.00 mm

DSCH144 Series Shims



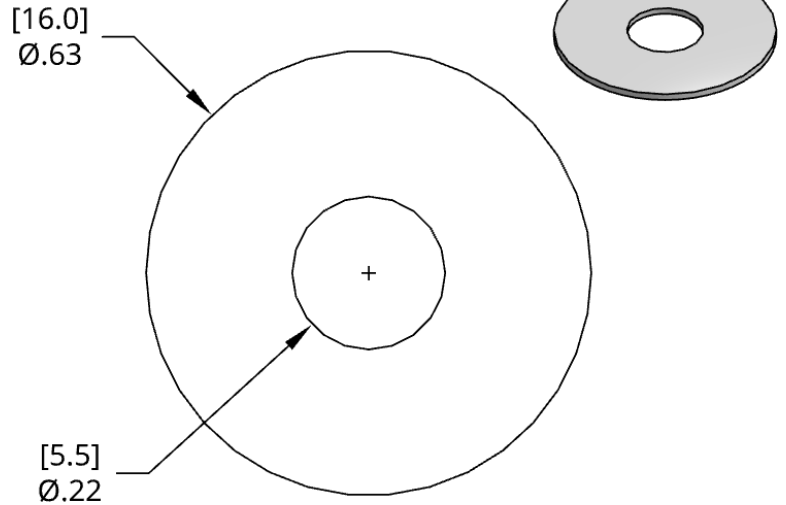
Bulk Set	Thick	Set Includes
DSCH144-M305	3.0mm	(0) 2.00mm, (2) 1.00mm, (1) .50mm, (2) .25mm
DSCH144-M454	4.5mm	(1) 2.00mm, (2) 1.00mm, (1) .50mm, (0) .25mm
DSCH144-M505	5.0mm	(1) 2.00mm, (2) 1.00mm, (2) .50mm, (0) .25mm
DSCH144-M506	5.0mm	(1) 2.00mm, (2) 1.00mm, (1) .50mm, (2) .25mm
DSCH144-M507	5.0mm	(1) 2.00mm, (1) 1.00mm, (3) .50mm, (2) .25mm
DSCH144-M605	6.0mm	(2) 2.00mm, (1) 1.00mm, (2) .50mm, (0) .25mm
DSCH144-M706	7.0mm	(2) 2.00mm, (2) 1.00mm, (2) .50mm, (0) .25mm

Full Hard 1010 steel shim stock.

Add a **K** to the end of the Bulk Set number for assembled (kitted) sets.

DSCH145 Series Shims

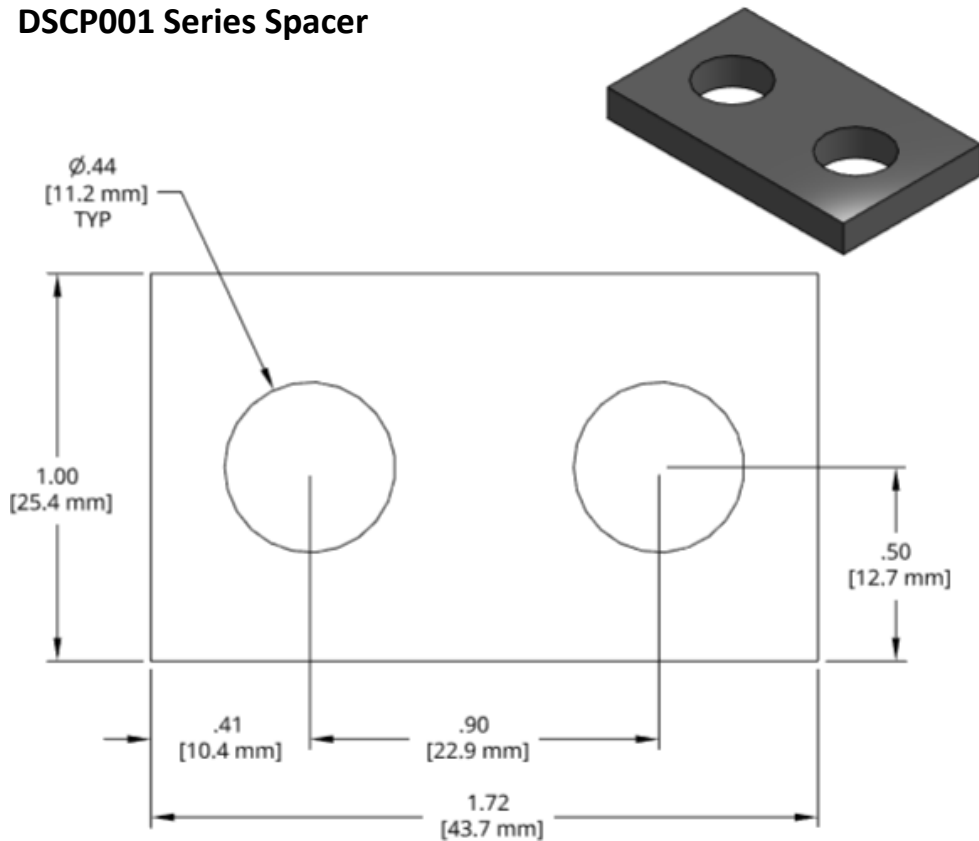
Individual Shim	Thickness
DSCH145-M010	.10 mm
DSCH145-M020	.20 mm
DSCH145-M025	.25 mm
DSCH145-M050	.50 mm
DSCH145-M100	1.00 mm
DSCH145-M200	2.00 mm
DSCH145-M500	5.00 mm



Bulk Set	Thick	Set Includes
DSCH145-M305	3.0mm	(0) 2.00mm, (2) 1.00mm, (1) .50mm, (2) .25mm
DSCH145-M454	4.5mm	(1) 2.00mm, (2) 1.00mm, (1) .50mm, (0) .25mm
DSCH145-M505	5.0mm	(1) 2.00mm, (2) 1.00mm, (2) .50mm, (0) .25mm
DSCH145-M506	5.0mm	(1) 2.00mm, (2) 1.00mm, (1) .50mm, (2) .25mm
DSCH145-M507	5.0mm	(1) 2.00mm, (1) 1.00mm, (3) .50mm, (2) .25mm
DSCH145-M605	6.0mm	(2) 2.00mm, (1) 1.00mm, (2) .50mm, (0) .25mm
DSCH145-M706	7.0mm	(2) 2.00mm, (2) 1.00mm, (2) .50mm, (0) .25mm

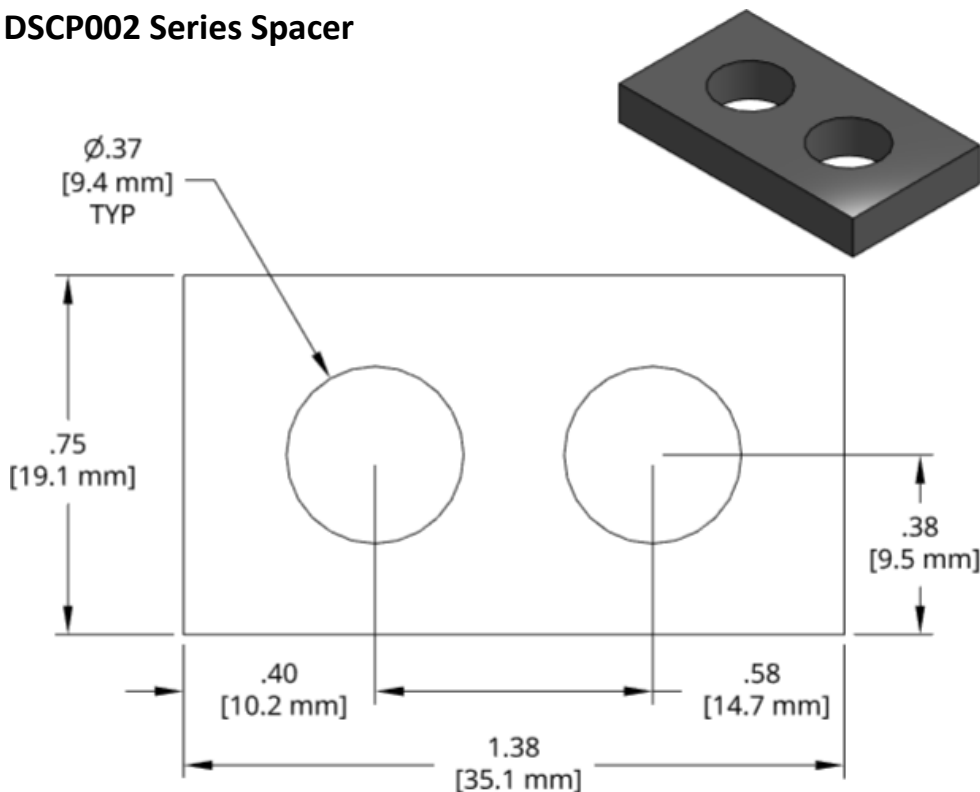
Full Hard 1010 steel shim stock.

Add a **K** to the end of the Bulk Set number for assembled (kitted) sets.

DSCP001 Series Spacer

Individual Spacer	Thickness
DSCP001-M200	2.00mm
DSCP001-M225	2.25mm
DSCP001-M250	2.50mm
DSCP001-M275	2.75mm
DSCP001-M300	3.00mm
DSCP001-M325	3.25mm
DSCP001-M350	3.50mm
DSCP001-M375	3.75mm
DSCP001-M400	4.00mm
DSCP001-M425	4.25mm
DSCP001-M450	4.50mm
DSCP001-M475	4.75mm
DSCP001-M500	5.00mm
DSCP001-M525	5.25mm
DSCP001-M550	5.50mm
DSCP001-M575	5.75mm
DSCP001-M600	6.00mm

1018 Steel, Black Oxide finish except -M200
Other thicknesses available by request.

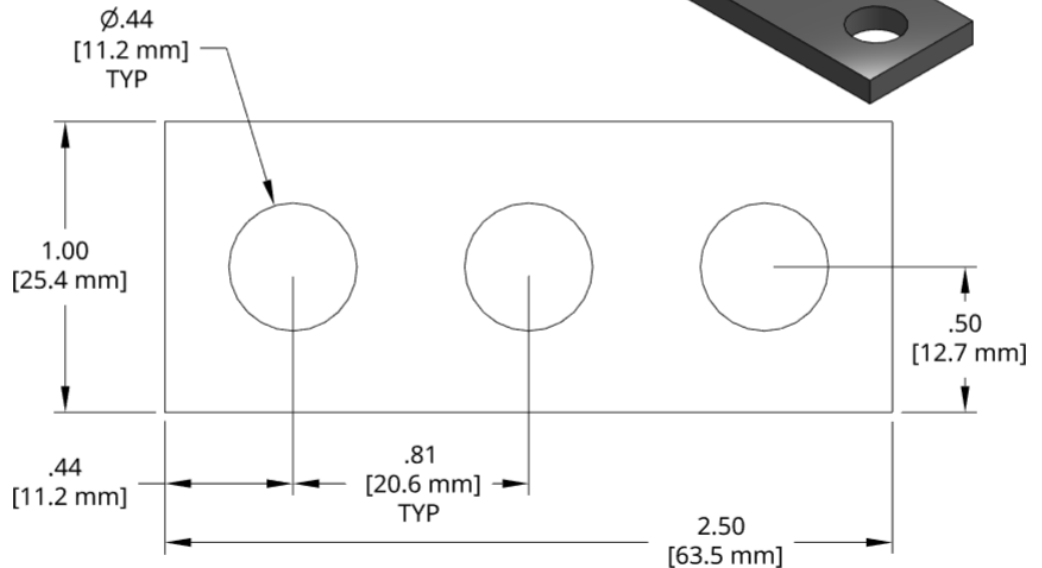
DSCP002 Series Spacer

Individual Spacer	Thickness
DSCP002-M200	2.00mm
DSCP002-M225	2.25mm
DSCP002-M250	2.50mm
DSCP002-M275	2.75mm
DSCP002-M300	3.00mm
DSCP002-M325	3.25mm
DSCP002-M350	3.50mm
DSCP002-M375	3.75mm
DSCP002-M400	4.00mm
DSCP002-M425	4.25mm
DSCP002-M450	4.50mm
DSCP002-M475	4.75mm
DSCP002-M500	5.00mm
DSCP002-M525	5.25mm
DSCP002-M550	5.50mm
DSCP002-M575	5.75mm
DSCP002-M600	6.00mm

1018 Steel, Black Oxide finish except -mM200
Other thicknesses available by request.

DSCP003 Series Spacer

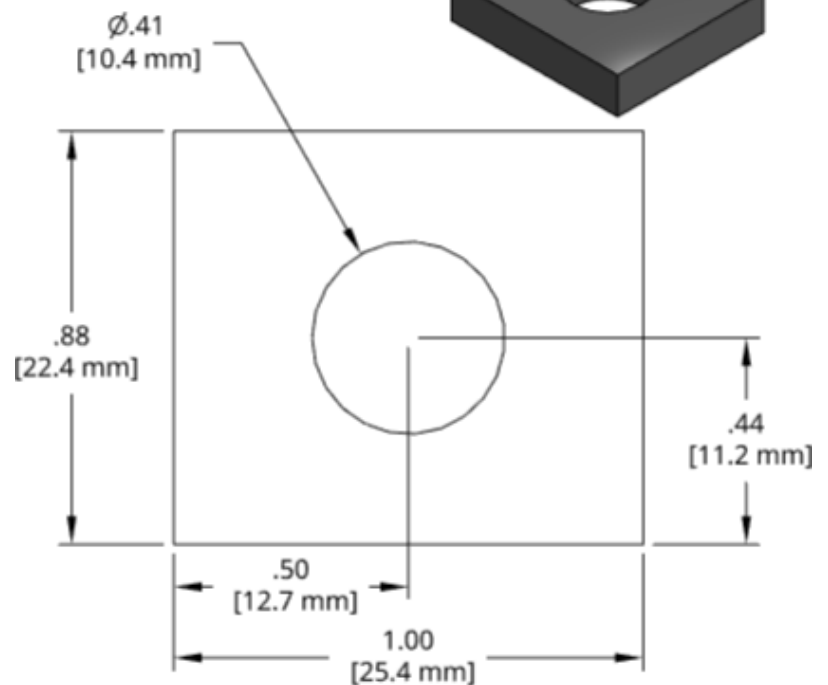
Individual Spacer	Thickness
DSCP003-M200	2.00mm
DSCP003-M225	2.25mm
DSCP003-M250	2.50mm
DSCP003-M275	2.75mm
DSCP003-M300	3.00mm
DSCP003-M325	3.25mm
DSCP003-M350	3.50mm
DSCP003-M375	3.75mm
DSCP003-M400	4.00mm
DSCP003-M425	4.25mm
DSCP003-M450	4.50mm
DSCP003-M475	4.75mm
DSCP003-M500	5.00mm
DSCP003-M525	5.25mm
DSCP003-M550	5.50mm
DSCP003-M575	5.75mm
DSCP003-M600	6.00mm



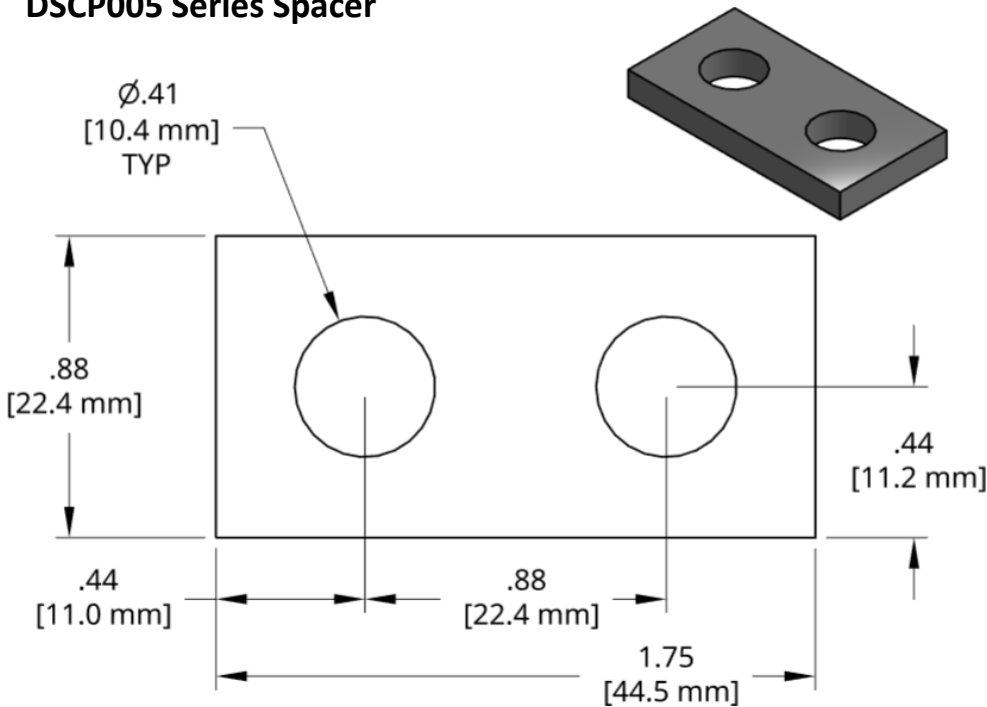
1018 Steel, Black Oxide finish except -M200
Other thicknesses available by request.

DSCP004 Series Spacer

Individual Spacer	Thickness
DSCP004-M200	2.00mm
DSCP004-M225	2.25mm
DSCP004-M250	2.50mm
DSCP004-M275	2.75mm
DSCP004-M300	3.00mm
DSCP004-M325	3.25mm
DSCP004-M350	3.50mm
DSCP004-M375	3.75mm
DSCP004-M400	4.00mm
DSCP004-M425	4.25mm
DSCP004-M450	4.50mm
DSCP004-M475	4.75mm
DSCP004-M500	5.00mm
DSCP004-M525	5.25mm
DSCP004-M550	5.50mm
DSCP004-M575	5.75mm
DSCP004-M600	6.00mm

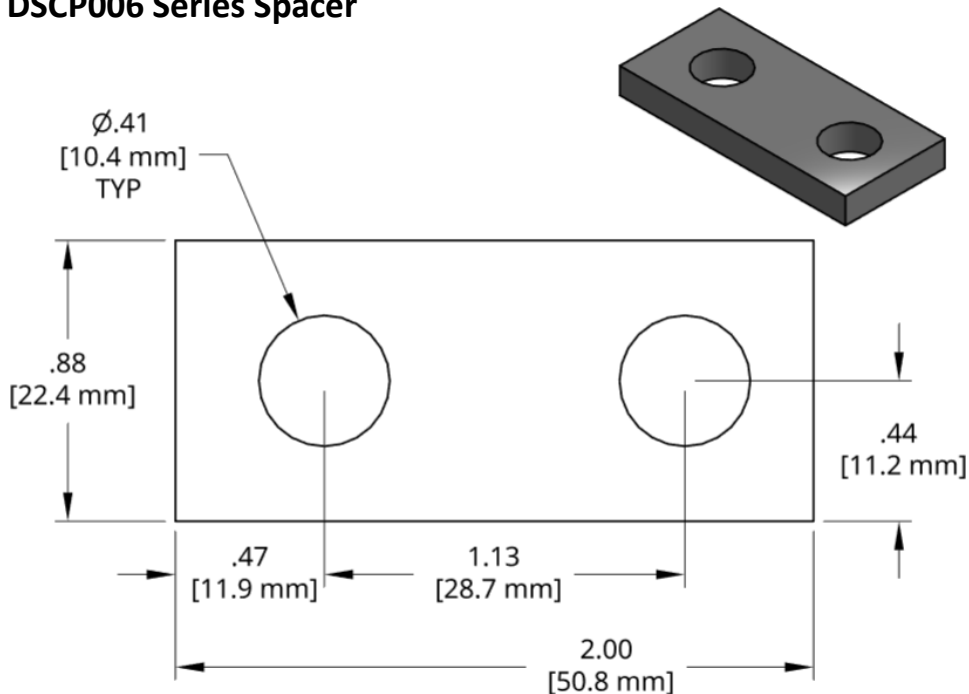


1018 Steel, Black Oxide finish except -M200
Other thicknesses available by request.

DSCP005 Series Spacer

<u>Individual Spacer</u>	<u>Thickness</u>
DSCP005-M200	2.00mm
DSCP005-M225	2.25mm
DSCP005-M250	2.50mm
DSCP005-M275	2.75mm
DSCP005-M300	3.00mm
DSCP005-M325	3.25mm
DSCP005-M350	3.50mm
DSCP005-M375	3.75mm
DSCP005-M400	4.00mm
DSCP005-M425	4.25mm
DSCP005-M450	4.50mm
DSCP005-M475	4.75mm
DSCP005-M500	5.00mm
DSCP005-M525	5.25mm
DSCP005-M550	5.50mm
DSCP005-M575	5.75mm
DSCP005-M600	6.00mm

1018 Steel, Black Oxide finish except -M200
Other thicknesses available by request.

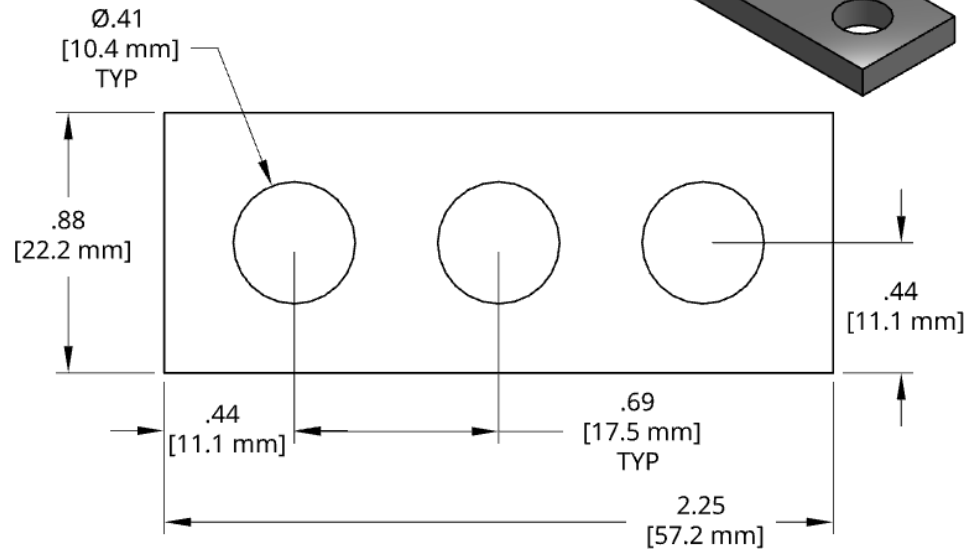
DSCP006 Series Spacer

<u>Individual Spacer</u>	<u>Thickness</u>
DSCP006-M200	2.00mm
DSCP006-M225	2.25mm
DSCP006-M250	2.50mm
DSCP006-M275	2.75mm
DSCP006-M300	3.00mm
DSCP006-M325	3.25mm
DSCP006-M350	3.50mm
DSCP006-M375	3.75mm
DSCP006-M400	4.00mm
DSCP006-M425	4.25mm
DSCP006-M450	4.50mm
DSCP006-M475	4.75mm
DSCP006-M500	5.00mm
DSCP006-M525	5.25mm
DSCP006-M550	5.50mm
DSCP006-M575	5.75mm
DSCP006-M600	6.00mm

1018 Steel, Black Oxide finish except -M200
Other thicknesses available by request.

DSCP007 Series Spacer

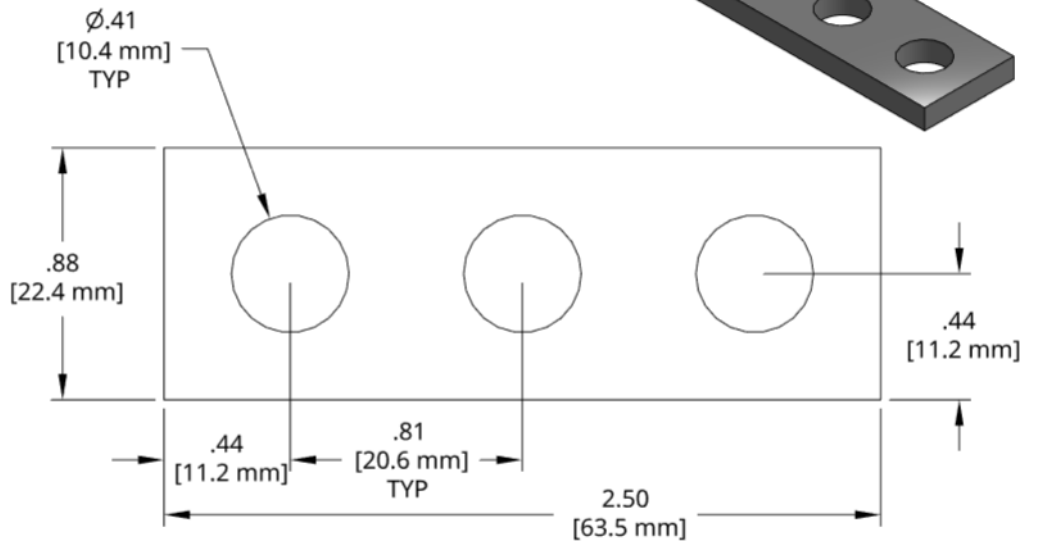
Individual Spacer	Thickness
DSCP007-M200	2.00mm
DSCP007-M225	2.25mm
DSCP007-M250	2.50mm
DSCP007-M275	2.75mm
DSCP007-M300	3.00mm
DSCP007-M325	3.25mm
DSCP007-M350	3.50mm
DSCP007-M375	3.75mm
DSCP007-M400	4.00mm
DSCP007-M425	4.25mm
DSCP007-M450	4.50mm
DSCP007-M475	4.75mm
DSCP007-M500	5.00mm
DSCP007-M525	5.25mm
DSCP007-M550	5.50mm
DSCP007-M575	5.75mm
DSCP007-M600	6.00mm



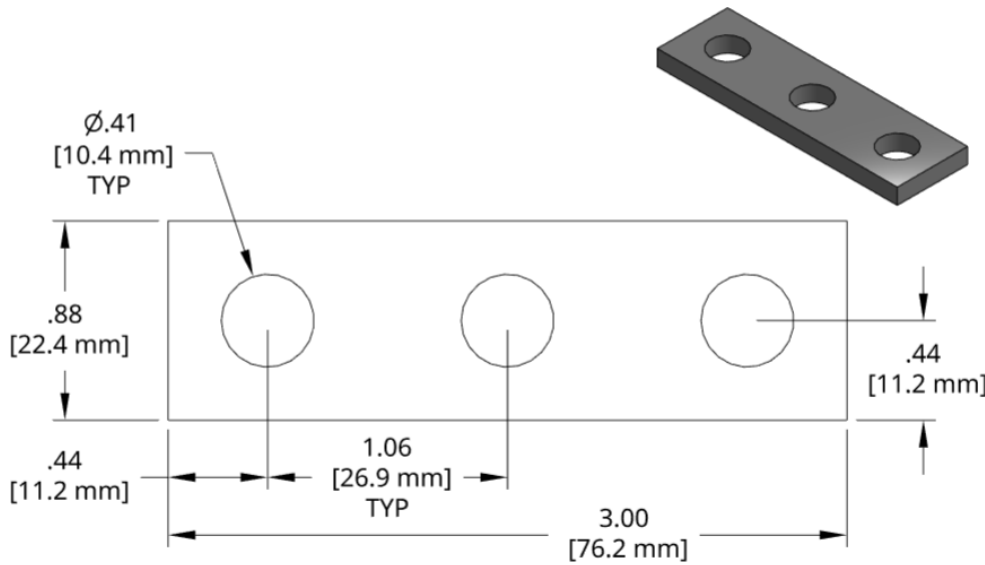
1018 Steel, Black Oxide finish except -M200
Other thicknesses available by request.

DSCP008 Series Spacer

Individual Spacer	Thickness
DSCP008-M200	2.00mm
DSCP008-M225	2.25mm
DSCP008-M250	2.50mm
DSCP008-M275	2.75mm
DSCP008-M300	3.00mm
DSCP008-M325	3.25mm
DSCP008-M350	3.50mm
DSCP008-M375	3.75mm
DSCP008-M400	4.00mm
DSCP008-M425	4.25mm
DSCP008-M450	4.50mm
DSCP008-M475	4.75mm
DSCP008-M500	5.00mm
DSCP008-M525	5.25mm
DSCP008-M550	5.50mm
DSCP008-M575	5.75mm
DSCP008-M600	6.00mm

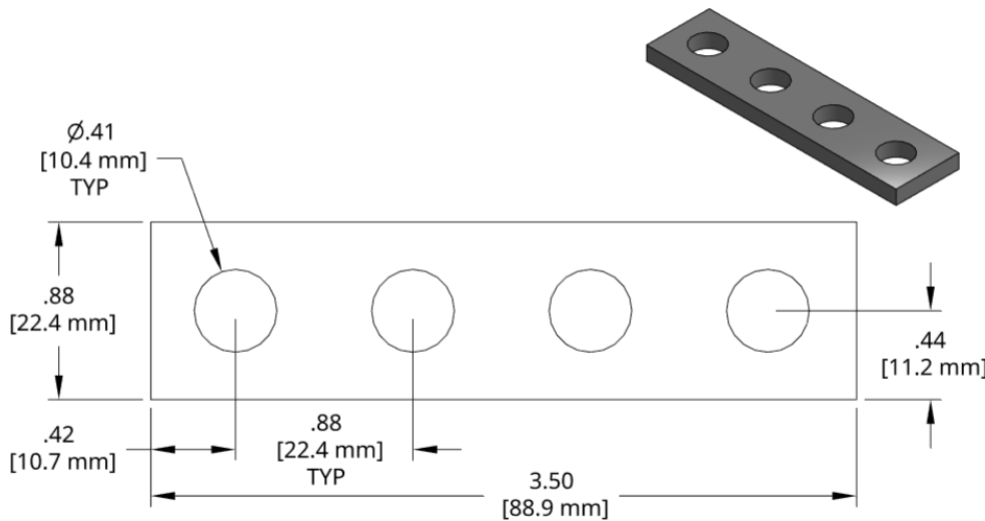


1018 Steel, Black Oxide finish except -M200
Other thicknesses available by request.

DSCP009 Series Spacer

Individual Spacer	Thickness
DSCP009-M200	2.00mm
DSCP009-M225	2.25mm
DSCP009-M250	2.50mm
DSCP009-M275	2.75mm
DSCP009-M300	3.00mm
DSCP009-M325	3.25mm
DSCP009-M350	3.50mm
DSCP009-M375	3.75mm
DSCP009-M400	4.00mm
DSCP009-M425	4.25mm
DSCP009-M450	4.50mm
DSCP009-M475	4.75mm
DSCP009-M500	5.00mm
DSCP009-M525	5.25mm
DSCP009-M550	5.50mm
DSCP009-M575	5.75mm
DSCP009-M600	6.00mm

1018 Steel, Black Oxide finish except -M200
Other thicknesses available by request.

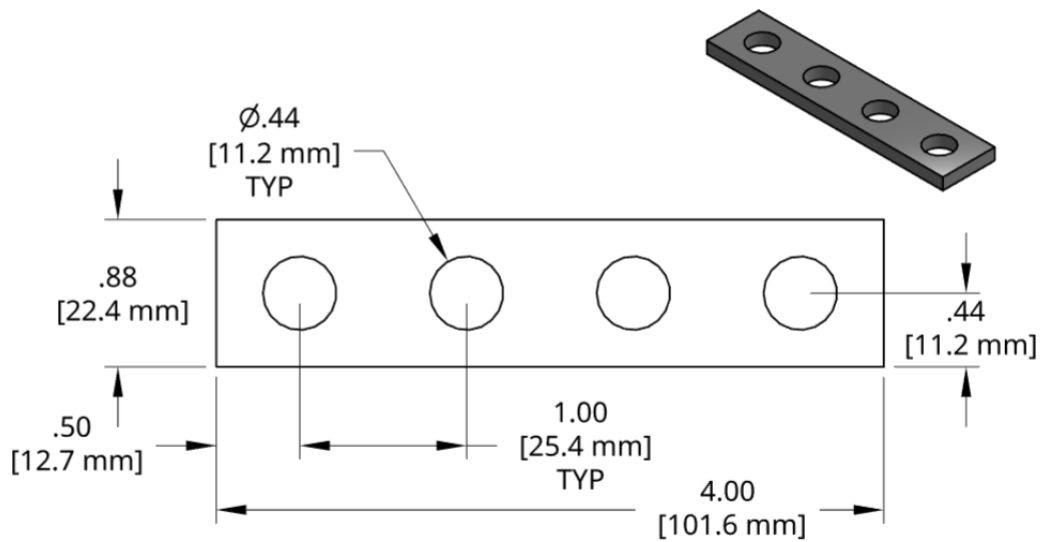
DSCP010 Series Spacer

Individual Spacer	Thickness
DSCP010-M200	2.00mm
DSCP010-M225	2.25mm
DSCP010-M250	2.50mm
DSCP010-M275	2.75mm
DSCP010-M300	3.00mm
DSCP010-M325	3.25mm
DSCP010-M350	3.50mm
DSCP010-M375	3.75mm
DSCP010-M400	4.00mm
DSCP010-M425	4.25mm
DSCP010-M450	4.50mm
DSCP010-M475	4.75mm
DSCP010-M500	5.00mm
DSCP010-M525	5.25mm
DSCP010-M550	5.50mm
DSCP010-M575	5.75mm
DSCP010-M600	6.00mm

1018 Steel, Black Oxide finish except -M200
Other thicknesses available by request.

DSCP011 Series Spacer

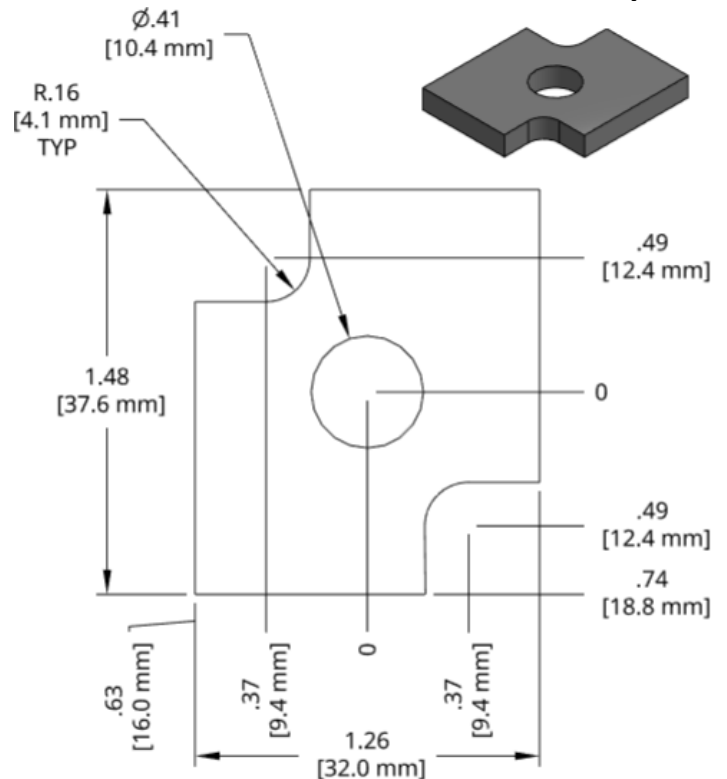
Individual Spacer	Thickness
DSCP011-M200	2.00mm
DSCP011-M225	2.25mm
DSCP011-M250	2.50mm
DSCP011-M275	2.75mm
DSCP011-M300	3.00mm
DSCP011-M325	3.25mm
DSCP011-M350	3.50mm
DSCP011-M375	3.75mm
DSCP011-M400	4.00mm
DSCP011-M425	4.25mm
DSCP011-M450	4.50mm
DSCP011-M475	4.75mm
DSCP011-M500	5.00mm
DSCP011-M525	5.25mm
DSCP011-M550	5.50mm
DSCP011-M575	5.75mm
DSCP011-M600	6.00mm



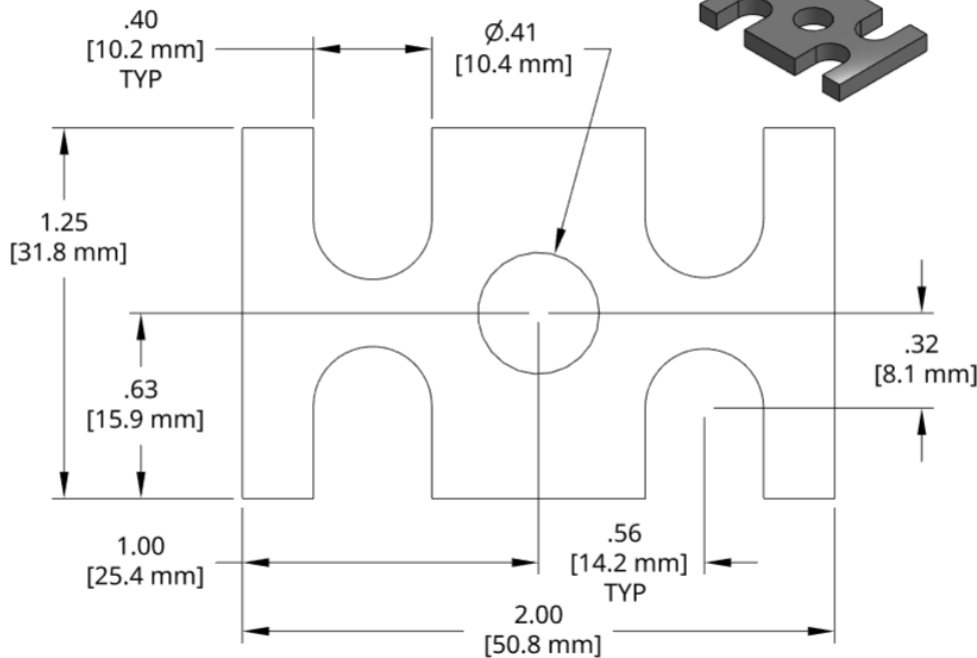
1018 Steel, Black Oxide finish except -M200
Other thicknesses available by request.

DSCP012 Series Spacer

Individual Spacer	Thickness
DSCP012-M200	2.00mm
DSCP012-M225	2.25mm
DSCP012-M250	2.50mm
DSCP012-M275	2.75mm
DSCP012-M300	3.00mm
DSCP012-M325	3.25mm
DSCP012-M350	3.50mm
DSCP012-M375	3.75mm
DSCP012-M400	4.00mm
DSCP012-M425	4.25mm
DSCP012-M450	4.50mm
DSCP012-M475	4.75mm
DSCP012-M500	5.00mm
DSCP012-M525	5.25mm
DSCP012-M550	5.50mm
DSCP012-M575	5.75mm
DSCP012-M600	6.00mm

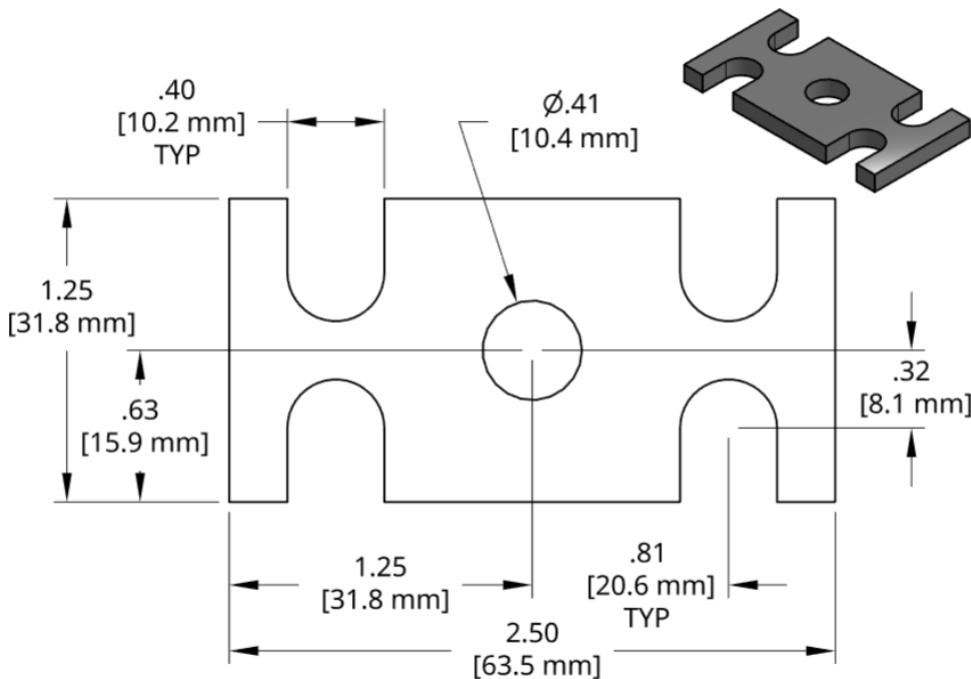


1018 Steel, Black Oxide finish except -M200
Other thicknesses available by request.

DSCP013 Series Spacer

Individual Spacer	Thickness
DSCP013-M200	2.00mm
DSCP013-M225	2.25mm
DSCP013-M250	2.50mm
DSCP013-M275	2.75mm
DSCP013-M300	3.00mm
DSCP013-M325	3.25mm
DSCP013-M350	3.50mm
DSCP013-M375	3.75mm
DSCP013-M400	4.00mm
DSCP013-M425	4.25mm
DSCP013-M450	4.50mm
DSCP013-M475	4.75mm
DSCP013-M500	5.00mm
DSCP013-M525	5.25mm
DSCP013-M550	5.50mm
DSCP013-M575	5.75mm
DSCP013-M600	6.00mm

1018 Steel, Black Oxide finish except -M200
Other thicknesses available by request.

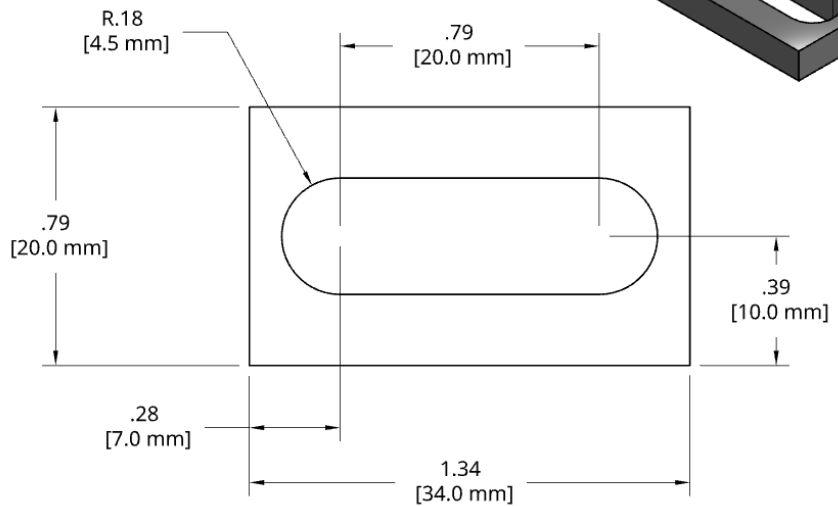
DSCP014 Series Spacer

Individual Spacer	Thickness
DSCP014-M200	2.00mm
DSCP014-M225	2.25mm
DSCP014-M250	2.50mm
DSCP014-M275	2.75mm
DSCP014-M300	3.00mm
DSCP014-M325	3.25mm
DSCP014-M350	3.50mm
DSCP014-M375	3.75mm
DSCP014-M400	4.00mm
DSCP014-M425	4.25mm
DSCP014-M450	4.50mm
DSCP014-M475	4.75mm
DSCP014-M500	5.00mm
DSCP014-M525	5.25mm
DSCP014-M550	5.50mm
DSCP014-M575	5.75mm
DSCP014-M600	6.00mm

1018 Steel, Black Oxide finish except -M200
Other thicknesses available by request.

DSCP015 Series Spacer

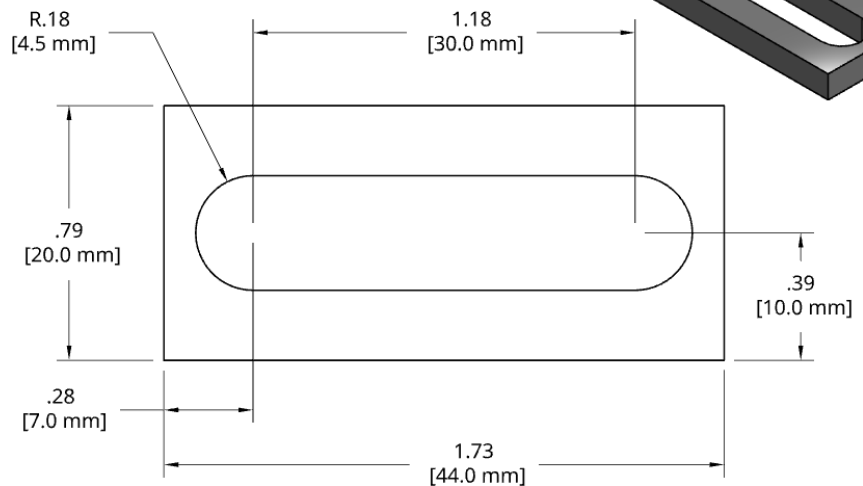
Individual Spacer	Thickness
DSCP015-M300	3.00mm
DSCP015-M320	3.20mm
DSCP015-M340	3.40mm
DSCP015-M360	3.60mm
DSCP015-M380	3.80mm
DSCP015-M400	4.00mm
DSCP015-M420	4.20mm
DSCP015-M440	4.40mm
DSCP015-M460	4.60mm
DSCP015-M480	4.80mm
DSCP015-M500	5.00mm
DSCP015-M520	5.20mm
DSCP015-M540	5.40mm
DSCP015-M560	5.60mm
DSCP015-M580	5.80mm
DSCP015-M600	6.00mm
DSCP015-M620	6.20mm
DSCP015-M640	6.40mm
DSCP015-M660	6.60mm
DSCP015-M680	6.80mm
DSCP015-M700	7.00mm



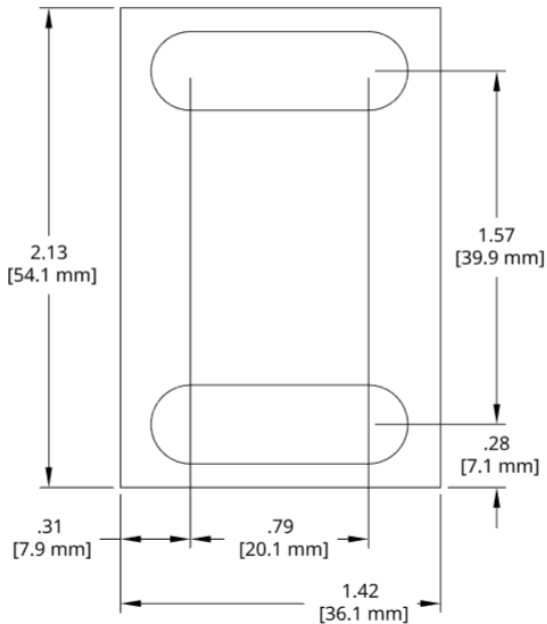
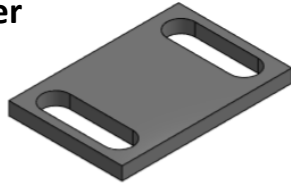
1018 Steel, Black Oxide finish
Other thicknesses available by request.

DSCP016 Series Spacer

Individual Spacer	Thickness
DSCP016-M300	3.00mm
DSCP016-M320	3.20mm
DSCP016-M340	3.40mm
DSCP016-M360	3.60mm
DSCP016-M380	3.80mm
DSCP016-M400	4.00mm
DSCP016-M420	4.20mm
DSCP016-M440	4.40mm
DSCP016-M460	4.60mm
DSCP016-M480	4.80mm
DSCP016-M500	5.00mm
DSCP016-M520	5.20mm
DSCP016-M540	5.40mm
DSCP016-M560	5.60mm
DSCP016-M580	5.80mm
DSCP016-M600	6.00mm
DSCP016-M620	6.20mm
DSCP016-M640	6.40mm
DSCP016-M660	6.60mm
DSCP016-M680	6.80mm
DSCP016-M700	7.00mm

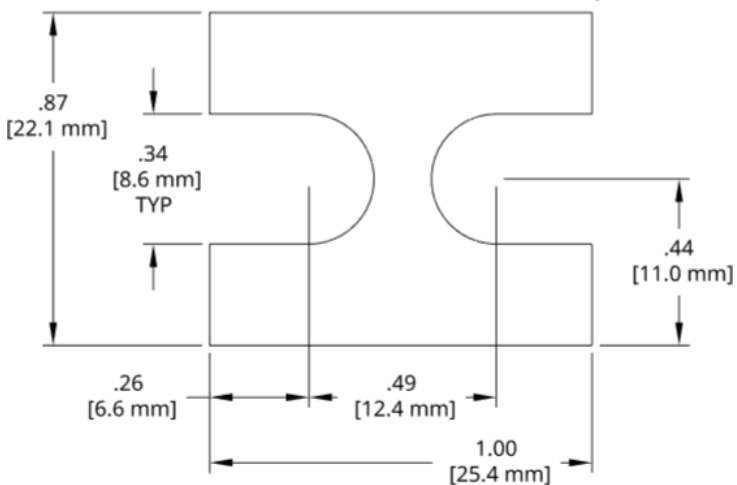


1018 Steel, Black Oxide finish
Other thicknesses available by request.

DSCP017 Series Spacer

1018 Steel, Black Oxide finish
Other thicknesses available by request.

Individual Spacer	Thickness
DSCP017-M300	3.00mm
DSCP017-M320	3.20mm
DSCP017-M340	3.40mm
DSCP017-M360	3.60mm
DSCP017-M380	3.80mm
DSCP017-M400	4.00mm
DSCP017-M420	4.20mm
DSCP017-M440	4.40mm
DSCP017-M460	4.60mm
DSCP017-M480	4.80mm
DSCP017-M500	5.00mm
DSCP017-M520	5.20mm
DSCP017-M540	5.40mm
DSCP017-M560	5.60mm
DSCP017-M580	5.80mm
DSCP017-M600	6.00mm
DSCP017-M620	6.20mm
DSCP017-M640	6.40mm
DSCP017-M660	6.60mm
DSCP017-M680	6.80mm
DSCP017-M700	7.00mm

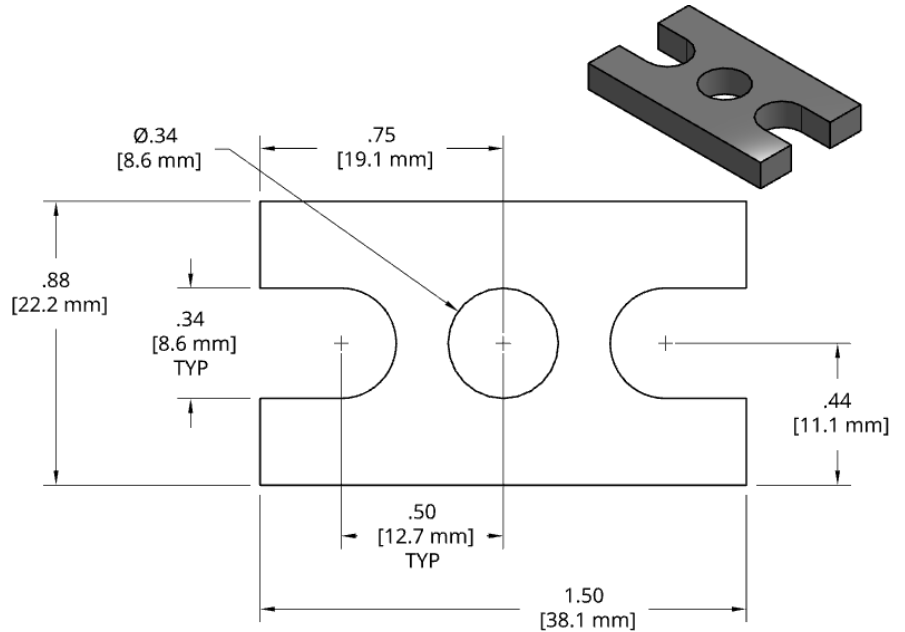
DSCP018 Series Spacer

1018 Steel, Black Oxide finish except -M050, -M100 and -M200
Other thicknesses available by request.

Individual Spacer	Thickness
DSCP018-M050	0.50mm
DSCP018-M100	1.00mm
DSCP018-M200	2.00mm
DSCP018-M225	2.25mm
DSCP018-M250	2.50mm
DSCP018-M275	2.75mm
DSCP018-M300	3.00mm
DSCP018-M325	3.25mm
DSCP018-M350	3.50mm
DSCP018-M375	3.75mm
DSCP018-M400	4.00mm
DSCP018-M425	4.25mm
DSCP018-M450	4.50mm
DSCP018-M475	4.75mm
DSCP018-M500	5.00mm
DSCP018-M525	5.25mm
DSCP018-M550	5.50mm
DSCP018-M575	5.75mm
DSCP018-M600	6.00mm

DSCP019 Series Spacer

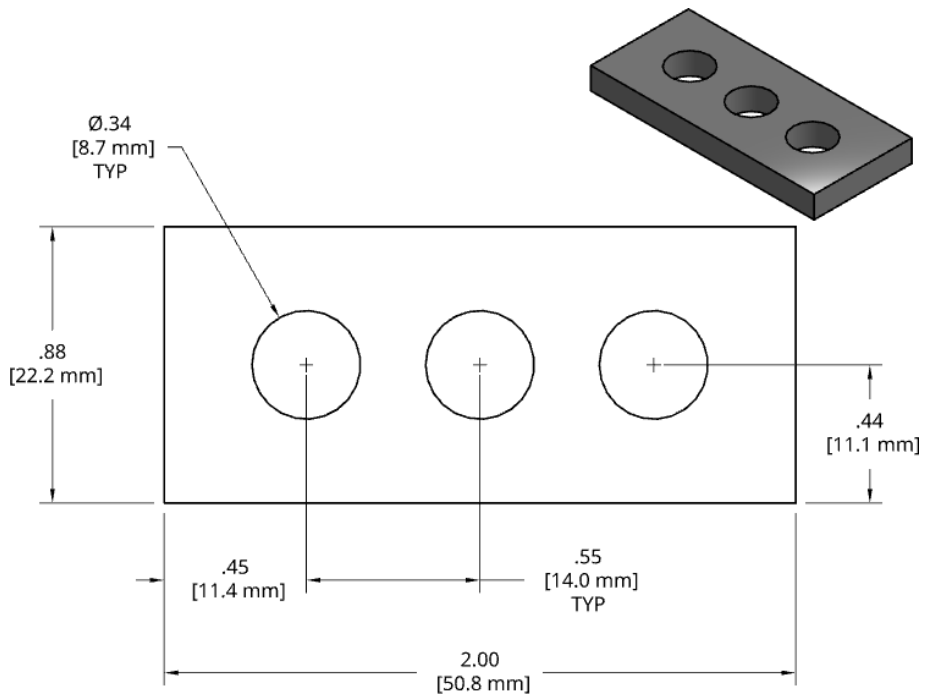
<u>Individual Spacer</u>	<u>Thickness</u>
DSCP019-M050	0.50mm
DSCP019-M100	1.00mm
DSCP019-M200	2.00mm
DSCP019-M225	2.25mm
DSCP019-M250	2.50mm
DSCP019-M275	2.75mm
DSCP019-M300	3.00mm
DSCP019-M325	3.25mm
DSCP019-M350	3.50mm
DSCP019-M375	3.75mm
DSCP019-M400	4.00mm
DSCP019-M425	4.25mm
DSCP019-M450	4.50mm
DSCP019-M475	4.75mm
DSCP019-M500	5.00mm
DSCP019-M525	5.25mm
DSCP019-M550	5.50mm
DSCP019-M575	5.75mm
DSCP019-M600	6.00mm



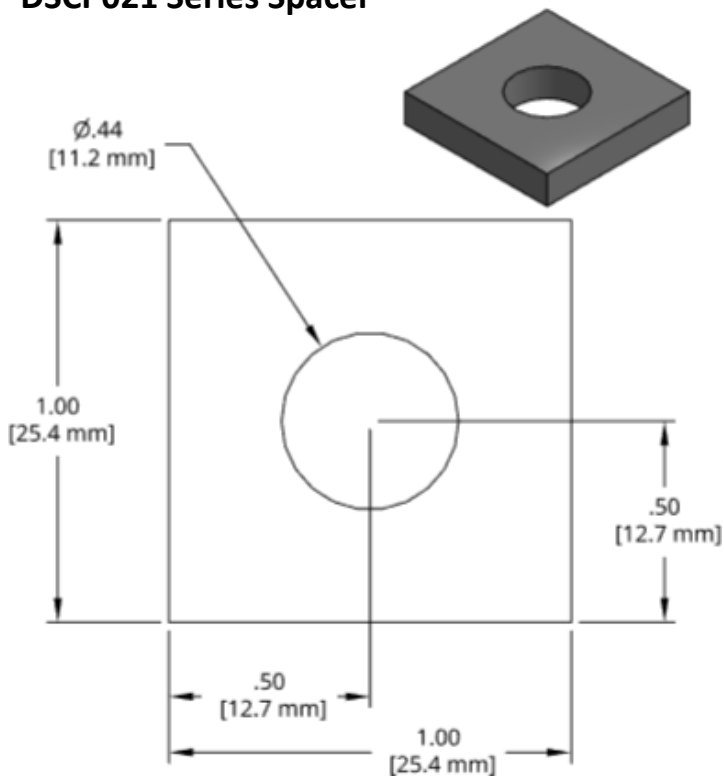
1018 Steel, Black Oxide finish except -M050, -M100 and -M200
Other thicknesses available by request.

DSCP020 Series Spacer

<u>Individual Spacer</u>	<u>Thickness</u>
DSCP020-M050	0.50mm
DSCP020-M100	1.00mm
DSCP020-M200	2.00mm
DSCP020-M225	2.25mm
DSCP020-M250	2.50mm
DSCP020-M275	2.75mm
DSCP020-M300	3.00mm
DSCP020-M325	3.25mm
DSCP020-M350	3.50mm
DSCP020-M375	3.75mm
DSCP020-M400	4.00mm
DSCP020-M425	4.25mm
DSCP020-M450	4.50mm
DSCP020-M475	4.75mm
DSCP020-M500	5.00mm
DSCP020-M525	5.25mm
DSCP020-M550	5.50mm
DSCP020-M575	5.75mm
DSCP020-M600	6.00mm

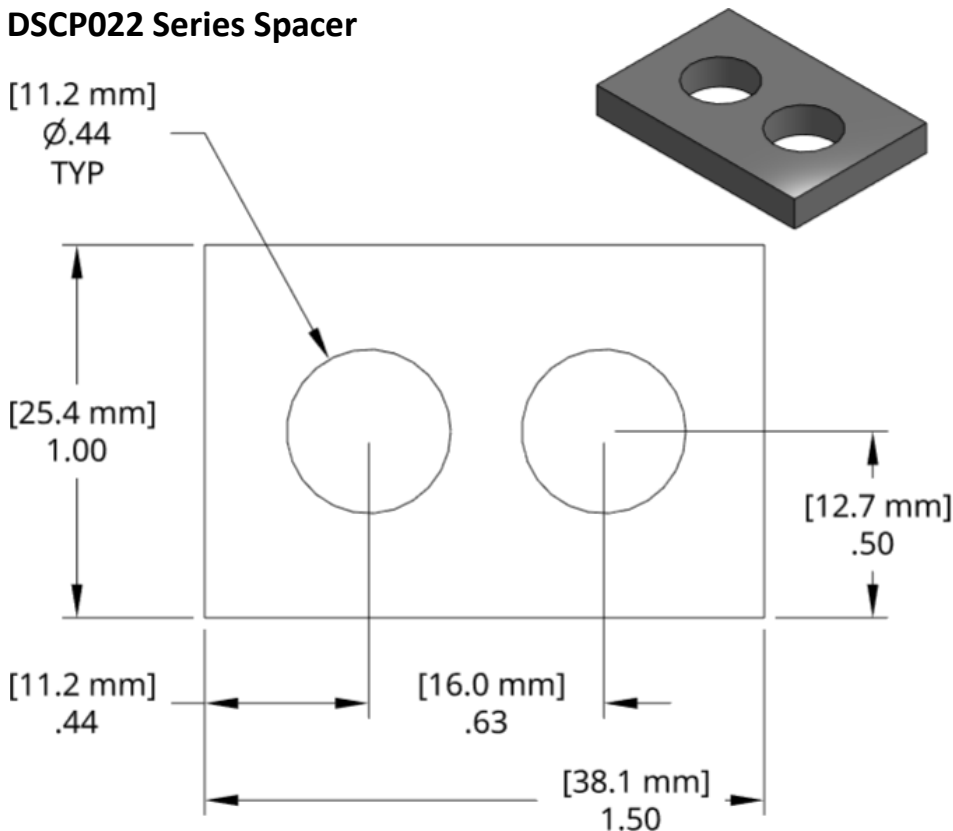


1018 Steel, Black Oxide finish except -M050, -M100 and -M200
Other thicknesses available by request.

DSCP021 Series Spacer

<u>Individual Spacer</u>	<u>Thickness</u>
DSCP021-M200	2.00mm
DSCP021-M225	2.25mm
DSCP021-M250	2.50mm
DSCP021-M275	2.75mm
DSCP021-M300	3.00mm
DSCP021-M325	3.25mm
DSCP021-M350	3.50mm
DSCP021-M375	3.75mm
DSCP021-M400	4.00mm
DSCP021-M425	4.25mm
DSCP021-M450	4.50mm
DSCP021-M475	4.75mm
DSCP021-M500	5.00mm
DSCP021-M525	5.25mm
DSCP021-M550	5.50mm
DSCP021-M575	5.75mm
DSCP021-M600	6.00mm

1018 Steel, Black Oxide finish except -M200
Other thicknesses available by request.

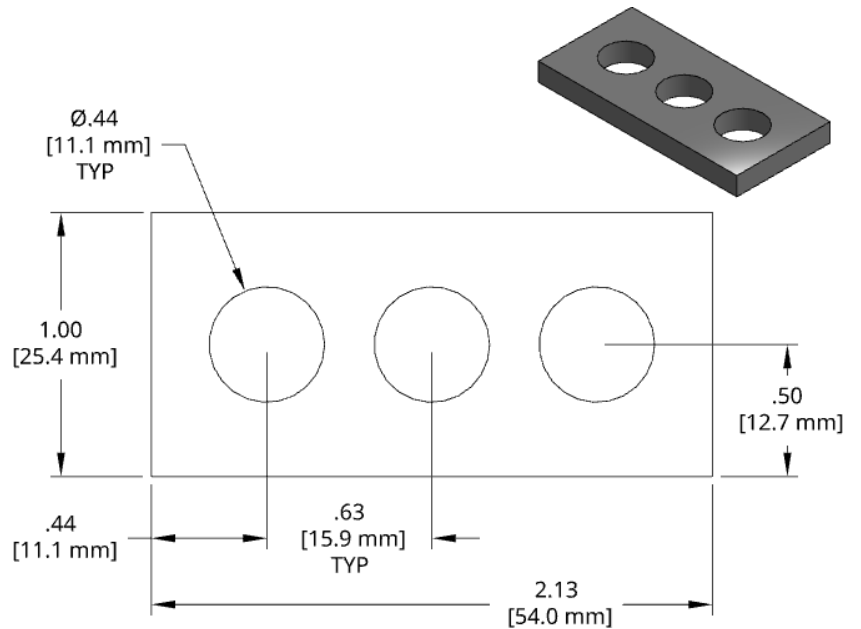
DSCP022 Series Spacer

<u>Individual Spacer</u>	<u>Thickness</u>
DSCP022-M200	2.00mm
DSCP022-M225	2.25mm
DSCP022-M250	2.50mm
DSCP022-M275	2.75mm
DSCP022-M300	3.00mm
DSCP022-M325	3.25mm
DSCP022-M350	3.50mm
DSCP022-M375	3.75mm
DSCP022-M400	4.00mm
DSCP022-M425	4.25mm
DSCP022-M450	4.50mm
DSCP022-M475	4.75mm
DSCP022-M500	5.00mm
DSCP022-M525	5.25mm
DSCP022-M550	5.50mm
DSCP022-M575	5.75mm
DSCP022-M600	6.00mm

1018 Steel, Black Oxide finish except -M200
Other thicknesses available by request.

DSCP023 Series Spacer

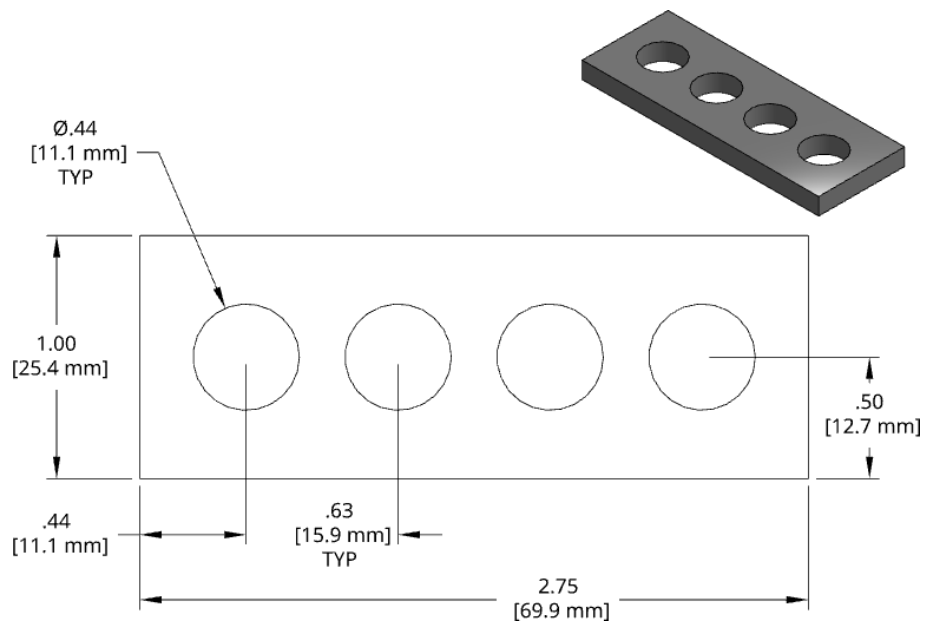
Individual Spacer	Thickness
DSCP023-M200	2.00mm
DSCP023-M225	2.25mm
DSCP023-M250	2.50mm
DSCP023-M275	2.75mm
DSCP023-M300	3.00mm
DSCP023-M325	3.25mm
DSCP023-M350	3.50mm
DSCP023-M375	3.75mm
DSCP023-M400	4.00mm
DSCP023-M425	4.25mm
DSCP023-M450	4.50mm
DSCP023-M475	4.75mm
DSCP023-M500	5.00mm
DSCP023-M525	5.25mm
DSCP023-M550	5.50mm
DSCP023-M575	5.75mm
DSCP023-M600	6.00mm



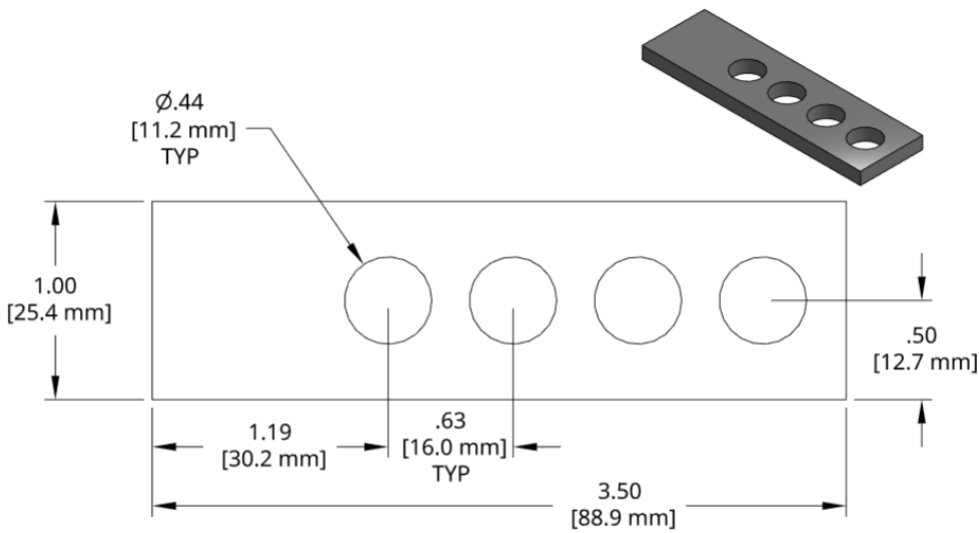
1018 Steel, Black Oxide finish except –M200
Other thicknesses available by request.

DSCP024 Series Spacer

Individual Spacer	Thickness
DSCP024-M200	2.00mm
DSCP024-M225	2.25mm
DSCP024-M250	2.50mm
DSCP024-M275	2.75mm
DSCP024-M300	3.00mm
DSCP024-M325	3.25mm
DSCP024-M350	3.50mm
DSCP024-M375	3.75mm
DSCP024-M400	4.00mm
DSCP024-M425	4.25mm
DSCP024-M450	4.50mm
DSCP024-M475	4.75mm
DSCP024-M500	5.00mm
DSCP024-M525	5.25mm
DSCP024-M550	5.50mm
DSCP024-M575	5.75mm
DSCP024-M600	6.00mm

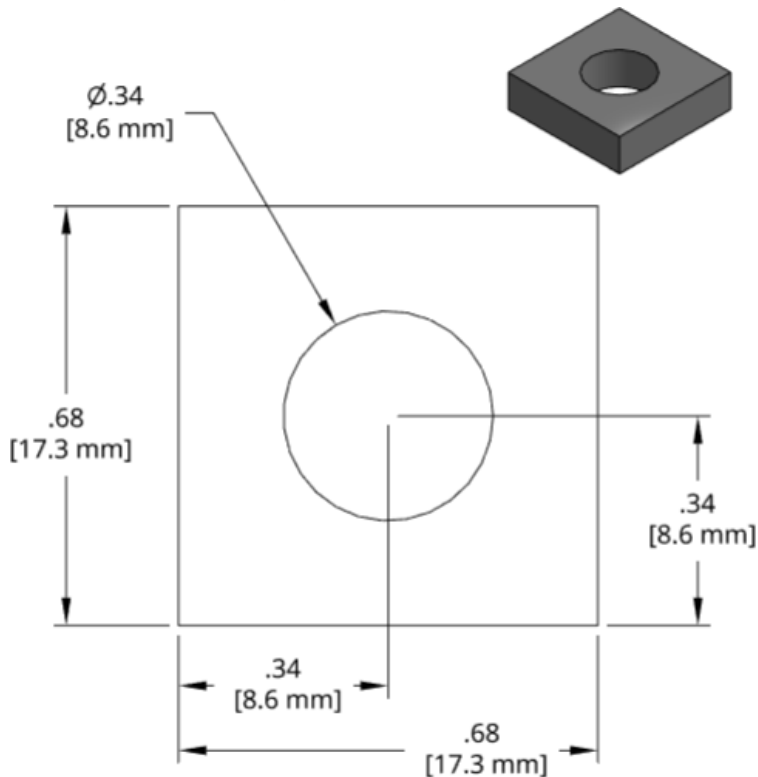


1018 Steel, Black Oxide finish except –M200
Other thicknesses available by request.

DSCP025 Series Spacer

Individual Spacer	Thickness
DSCP025-M200	2.00mm
DSCP025-M225	2.25mm
DSCP025-M250	2.50mm
DSCP025-M275	2.75mm
DSCP025-M300	3.00mm
DSCP025-M325	3.25mm
DSCP025-M350	3.50mm
DSCP025-M375	3.75mm
DSCP025-M400	4.00mm
DSCP025-M425	4.25mm
DSCP025-M450	4.50mm
DSCP025-M475	4.75mm
DSCP025-M500	5.00mm
DSCP025-M525	5.25mm
DSCP025-M550	5.50mm
DSCP025-M575	5.75mm
DSCP025-M600	6.00mm

1018 Steel, Black Oxide finish except -M200
Other thicknesses available by request.

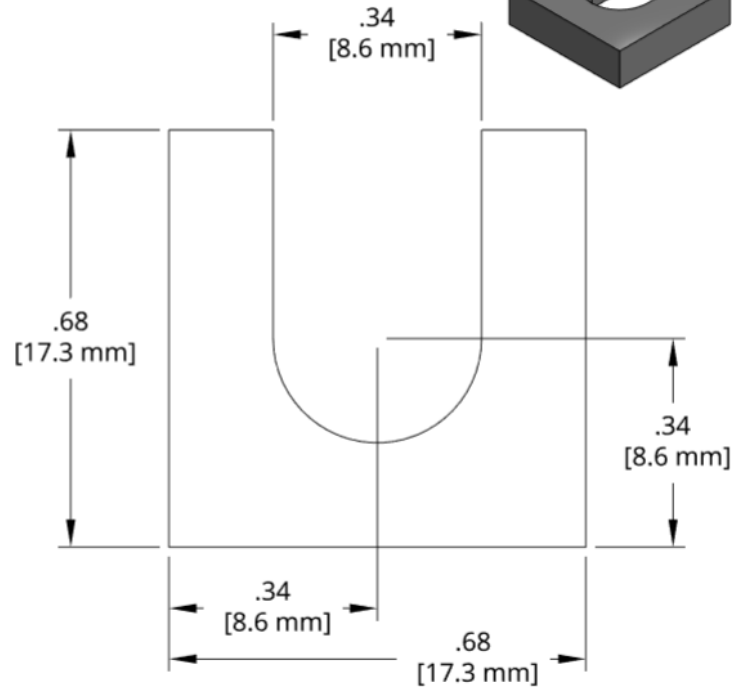
DSCP026 Series Spacer

Individual Spacer	Thickness
DSCP026-M025	0.25mm
DSCP026-M050	0.50mm
DSCP026-M100	1.00mm
DSCP026-M200	2.00mm
DSCP026-M300	3.00mm
DSCP026-M400	4.00mm
DSCP026-M500	5.00mm

1018 Steel, Black Oxide finish except -M200
Other thicknesses available by request.

DSCP027 Series Spacer

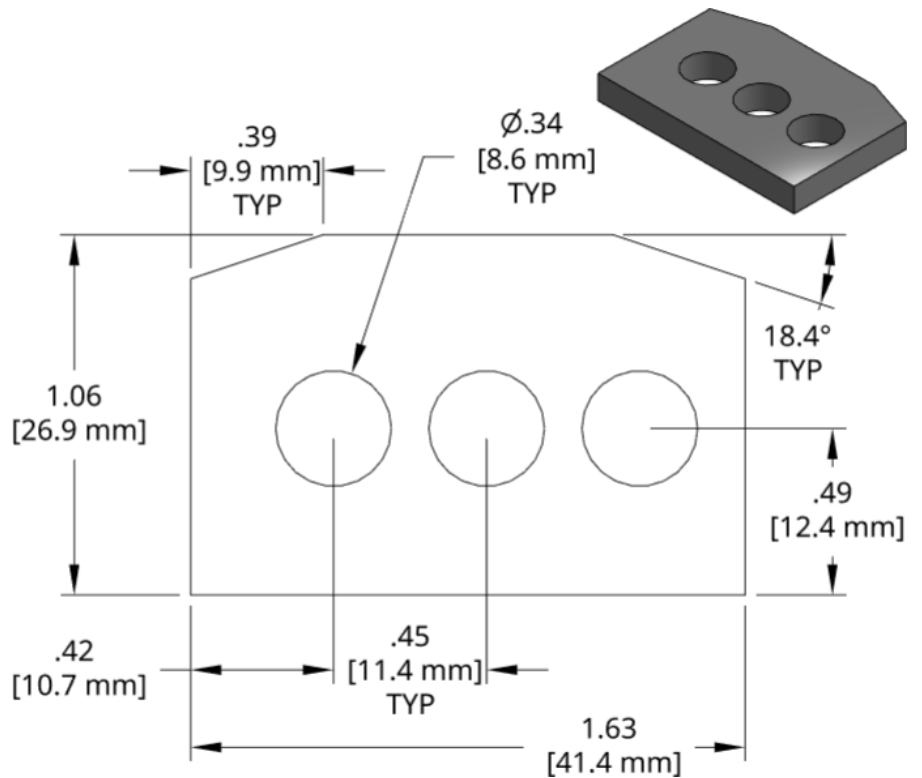
<u>Individual Spacer</u>	<u>Thickness</u>
DSCP027-M025	0.25mm
DSCP027-M050	0.50mm
DSCP027-M100	1.00mm
DSCP027-M200	2.00mm
DSCP027-M300	3.00mm
DSCP027-M400	4.00mm
DSCP027-M500	5.00mm



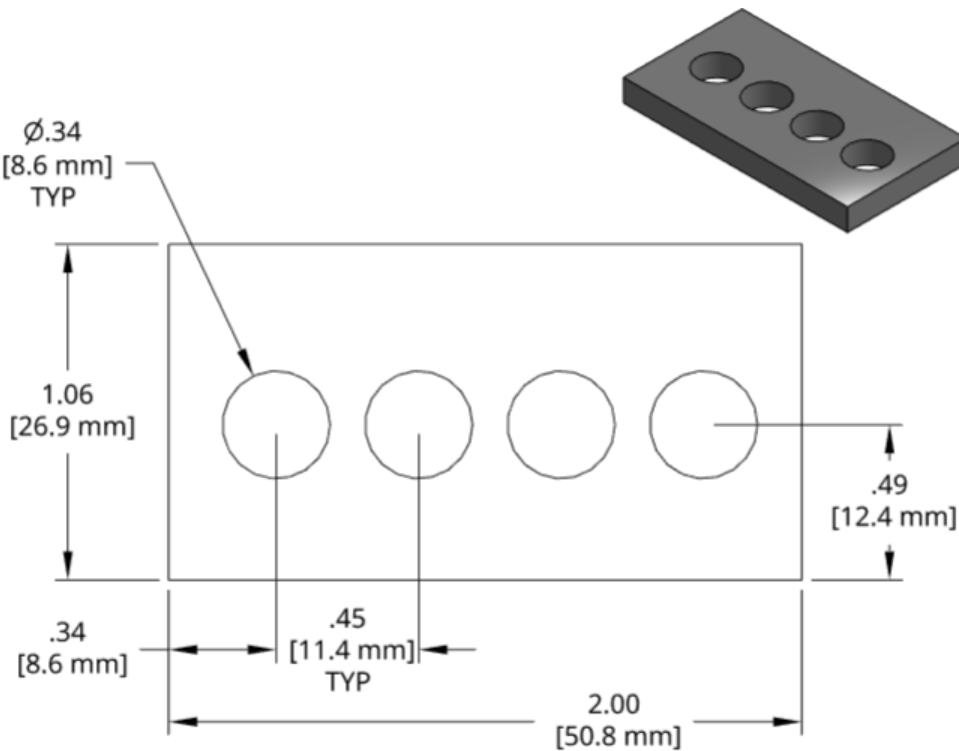
1018 Steel, Black Oxide finish –M300 and up
Other thicknesses available by request.

DSCP028 Series Spacer

<u>Individual Spacer</u>	<u>Thickness</u>
DSCP028-M050	0.50mm
DSCP028-M100	1.00mm
DSCP028-M150	1.50mm
DSCP028-M200	2.00mm
DSCP028-M250	2.50mm
DSCP028-M300	3.00mm
DSCP028-M350	3.50mm
DSCP028-M400	4.00mm
DSCP028-M450	4.50mm
DSCP028-M500	5.00mm
DSCP028-M550	5.50mm
DSCP028-M600	6.00mm
DSCP028-M650	6.50mm
DSCP028-M700	7.00mm
DSCP028-M750	7.50mm
DSCP028-M800	8.00mm

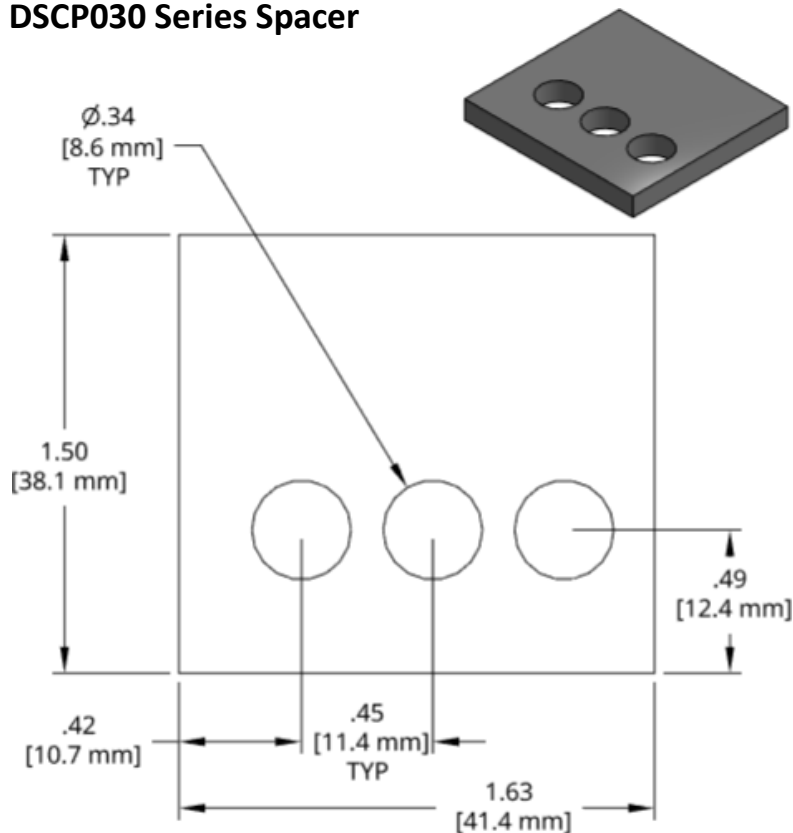


1018 Steel, Black Oxide finish –M300 and up
Other thicknesses available by request.

DSCP029 Series Spacer

Individual Spacer	Thickness
DSCP029-M050	0.50mm
DSCP029-M100	1.00mm
DSCP029-M150	1.50mm
DSCP029-M200	2.00mm
DSCP029-M250	2.50mm
DSCP029-M300	3.00mm
DSCP029-M350	3.50mm
DSCP029-M400	4.00mm
DSCP029-M450	4.50mm
DSCP029-M500	5.00mm
DSCP029-M550	5.50mm
DSCP029-M600	6.00mm
DSCP029-M650	6.50mm
DSCP029-M700	7.00mm
DSCP029-M750	7.50mm
DSCP029-M800	8.00mm

1018 Steel, Black Oxide finish –M300 and up
Other thicknesses available by request.

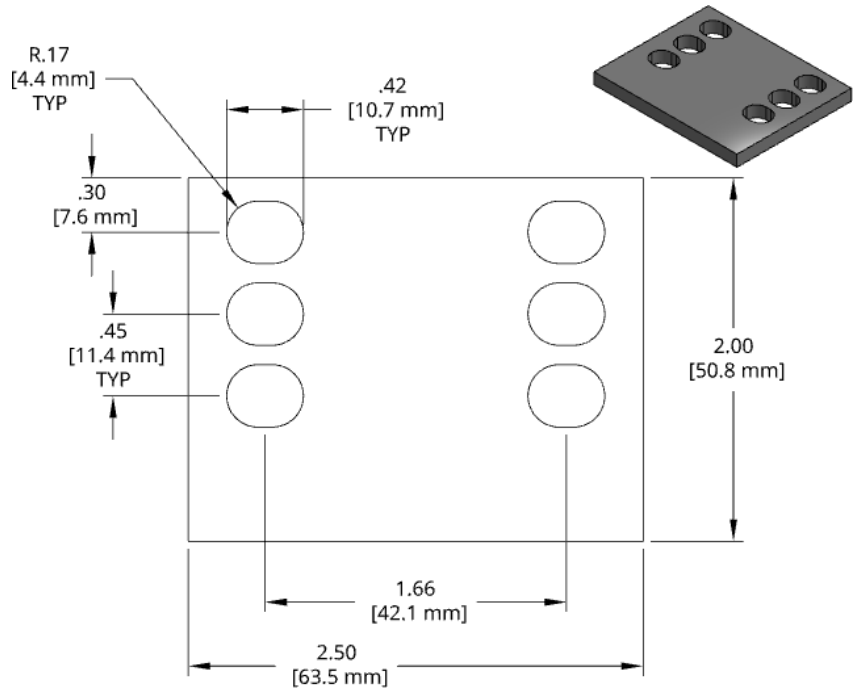
DSCP030 Series Spacer

Individual Spacer	Thickness
DSCP030-M050	0.50mm
DSCP030-M100	1.00mm
DSCP030-M150	1.50mm
DSCP030-M200	2.00mm
DSCP030-M250	2.50mm
DSCP030-M300	3.00mm
DSCP030-M350	3.50mm
DSCP030-M400	4.00mm
DSCP030-M450	4.50mm
DSCP030-M500	5.00mm
DSCP030-M550	5.50mm
DSCP030-M600	6.00mm
DSCP030-M650	6.50mm
DSCP030-M700	7.00mm
DSCP030-M750	7.50mm
DSCP030-M800	8.00mm

1018 Steel, Black Oxide finish –M300 and up
Other thicknesses available by request.

DSCP031 Series Spacer

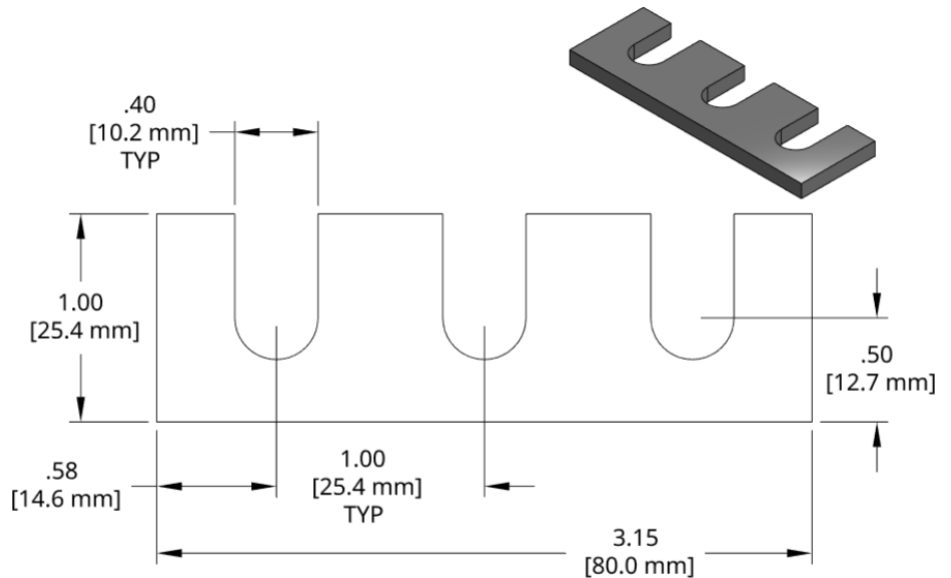
<u>Individual Spacer</u>	<u>Thickness</u>
DSCP031-M050	0.50mm
DSCP031-M100	1.00mm
DSCP031-M150	1.50mm
DSCP031-M200	2.00mm
DSCP031-M250	2.50mm
DSCP031-M300	3.00mm
DSCP031-M350	3.50mm
DSCP031-M400	4.00mm
DSCP031-M450	4.50mm
DSCP031-M500	5.00mm
DSCP031-M550	5.50mm
DSCP031-M600	6.00mm
DSCP031-M650	6.50mm
DSCP031-M700	7.00mm
DSCP031-M750	7.50mm
DSCP031-M800	8.00mm



1018 Steel, Black Oxide finish –M300 and up
Other thicknesses available by request.

DSCP032 Series Spacer

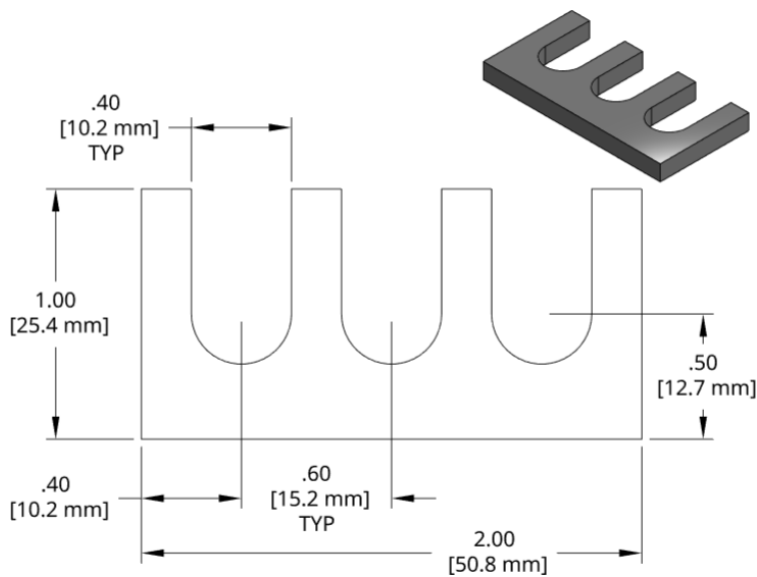
<u>Individual Spacer</u>	<u>Thickness</u>
DSCP032-M050	0.50mm
DSCP032-M100	1.00mm
DSCP032-M150	1.50mm
DSCP032-M200	2.00mm
DSCP032-M450	4.50mm



1018 Steel, Black Oxide finish –M450 only
Other thicknesses available by request.

DSCP033 Series Spacer

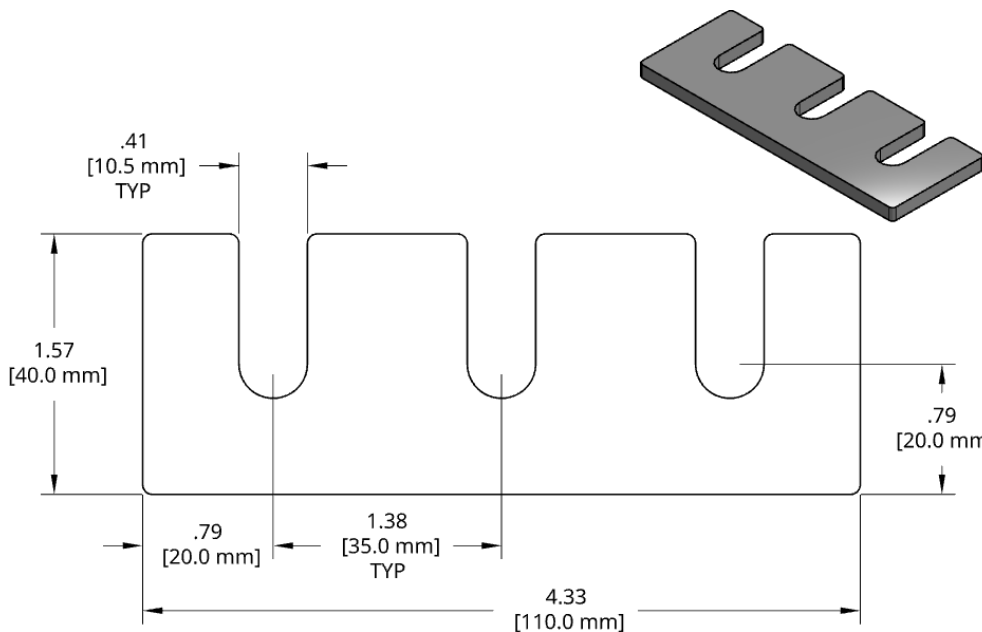
<u>Individual Spacer</u>	<u>Thickness</u>
DSCP033-M050	0.50mm
DSCP033-M100	1.00mm
DSCP033-M150	1.50mm
DSCP033-M200	2.00mm
DSCP033-M450	4.50mm



1018 Steel, Black Oxide finish –M450 only
Other thicknesses available by request.

DSCP034 Series Spacer

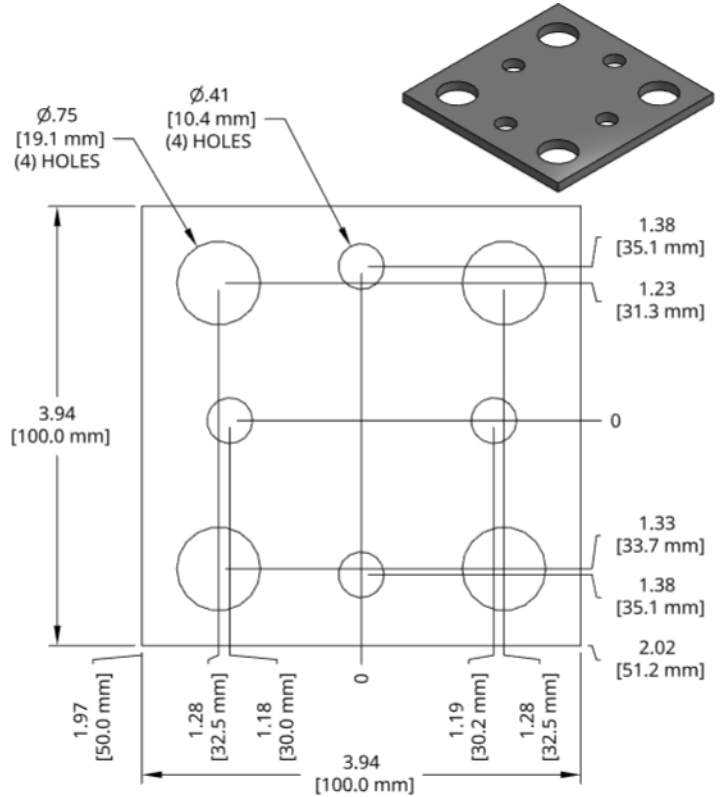
<u>Individual Spacer</u>	<u>Thickness</u>
DSCP034-M300	3.00mm
DSCP034-M320	3.20mm
DSCP034-M340	3.40mm
DSCP034-M360	3.60mm
DSCP034-M380	3.80mm
DSCP034-M400	4.00mm
DSCP034-M420	4.20mm
DSCP034-M440	4.40mm
DSCP034-M460	4.60mm
DSCP034-M480	4.80mm
DSCP034-M500	5.00mm
DSCP034-M520	5.20mm
DSCP034-M540	5.40mm
DSCP034-M560	5.60mm
DSCP034-M580	5.80mm
DSCP034-M600	6.00mm
DSCP034-M620	6.20mm
DSCP034-M640	6.40mm
DSCP034-M660	6.60mm
DSCP034-M680	6.80mm
DSCP034-M700	7.00mm



1018 Steel, Black Oxide finish
Other thicknesses available by request.

Individual Spacer	Thickness
DSCP035-M025	0.25mm
DSCP035-M050	0.50mm
DSCP035-M100	1.00mm
DSCP035-M200	2.00mm
DSCP035-M300	3.00mm
DSCP035-M320	3.20mm
DSCP035-M340	3.40mm
DSCP035-M360	3.60mm
DSCP035-M380	3.80mm
DSCP035-M400	4.00mm
DSCP035-M420	4.20mm
DSCP035-M440	4.40mm
DSCP035-M460	4.60mm
DSCP035-M480	4.80mm
DSCP035-M500	5.00mm
DSCP035-M520	5.20mm
DSCP035-M540	5.40mm
DSCP035-M560	5.60mm
DSCP035-M580	5.80mm
DSCP035-M600	6.00mm
DSCP035-M620	6.20mm
DSCP035-M640	6.40mm
DSCP035-M660	6.60mm
DSCP035-M680	6.80mm
DSCP035-M700	7.00mm

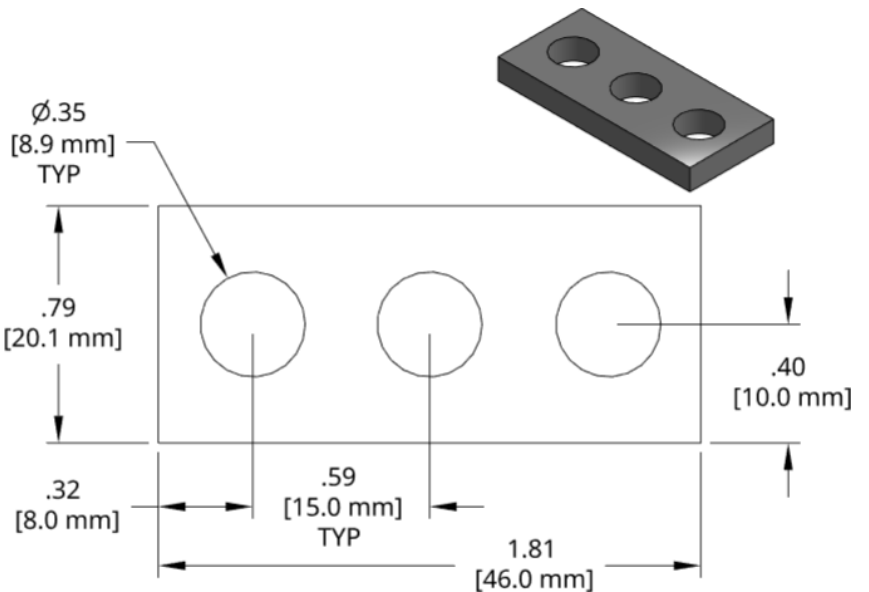
DSCP035 Series Spacer



1018 Steel, Black Oxide finish
Other thicknesses available by request.

Individual Spacer	Thickness
DSCP036-M025	0.25mm
DSCP036-M050	0.50mm
DSCP036-M100	1.00mm
DSCP036-M200	2.00mm
DSCP036-M300	3.00mm
DSCP036-M320	3.20mm
DSCP036-M340	3.40mm
DSCP036-M360	3.60mm
DSCP036-M380	3.80mm
DSCP036-M400	4.00mm
DSCP036-M420	4.20mm
DSCP036-M440	4.40mm
DSCP036-M460	4.60mm
DSCP036-M480	4.80mm
DSCP036-M500	5.00mm
DSCP036-M520	5.20mm
DSCP036-M540	5.40mm
DSCP036-M560	5.60mm
DSCP036-M580	5.80mm
DSCP036-M600	6.00mm
DSCP036-M620	6.20mm
DSCP036-M640	6.40mm
DSCP036-M660	6.60mm
DSCP036-M680	6.80mm
DSCP036-M700	7.00mm

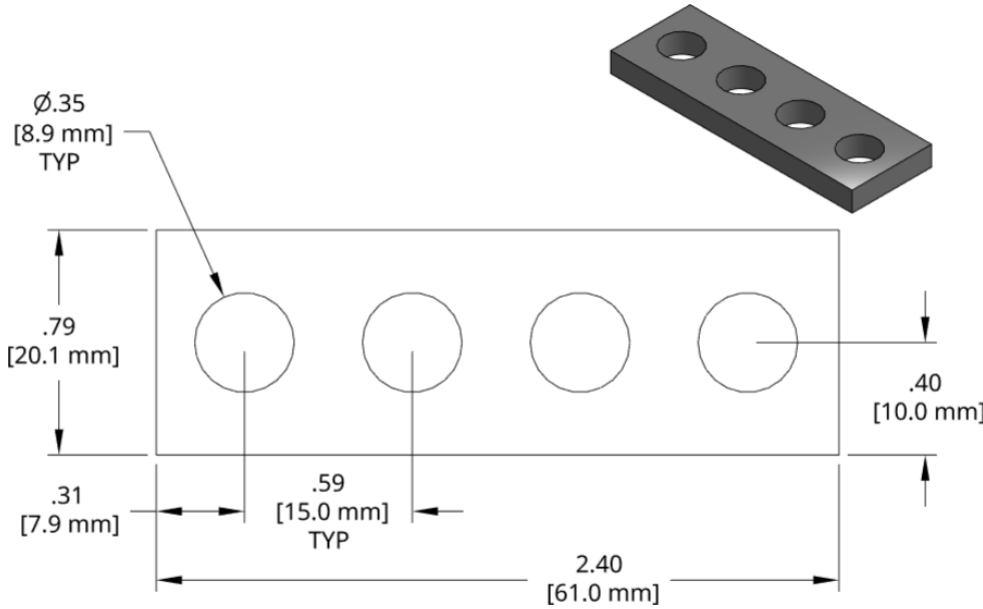
DSCP036 Series Spacer



1018 Steel, Black Oxide finish
Other thicknesses available by request.

DSCP037 Series Spacer

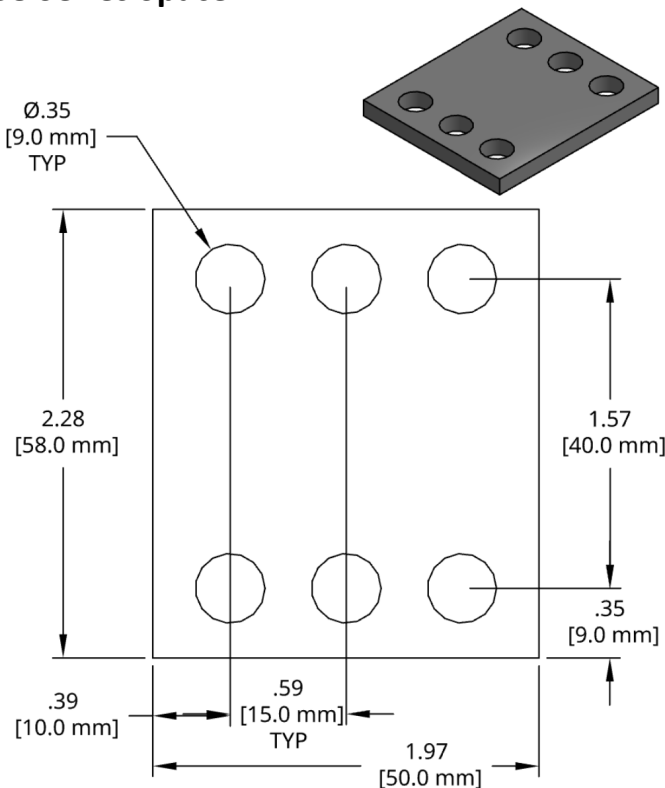
Individual Spacer	Thickness
DSCP037-M025	0.25mm
DSCP037-M050	0.50mm
DSCP037-M100	1.00mm
DSCP037-M200	2.00mm
DSCP037-M300	3.00mm
DSCP037-M320	3.20mm
DSCP037-M340	3.40mm
DSCP037-M360	3.60mm
DSCP037-M380	3.80mm
DSCP037-M400	4.00mm
DSCP037-M420	4.20mm
DSCP037-M440	4.40mm
DSCP037-M460	4.60mm
DSCP037-M480	4.80mm
DSCP037-M500	5.00mm
DSCP037-M520	5.20mm
DSCP037-M540	5.40mm
DSCP037-M560	5.60mm
DSCP037-M580	5.80mm
DSCP037-M600	6.00mm
DSCP037-M620	6.20mm
DSCP037-M640	6.40mm
DSCP037-M660	6.60mm
DSCP037-M680	6.80mm
DSCP037-M700	7.00mm



1018 Steel, Black Oxide finish
Other thicknesses available by request.

DSCP038 Series Spacer

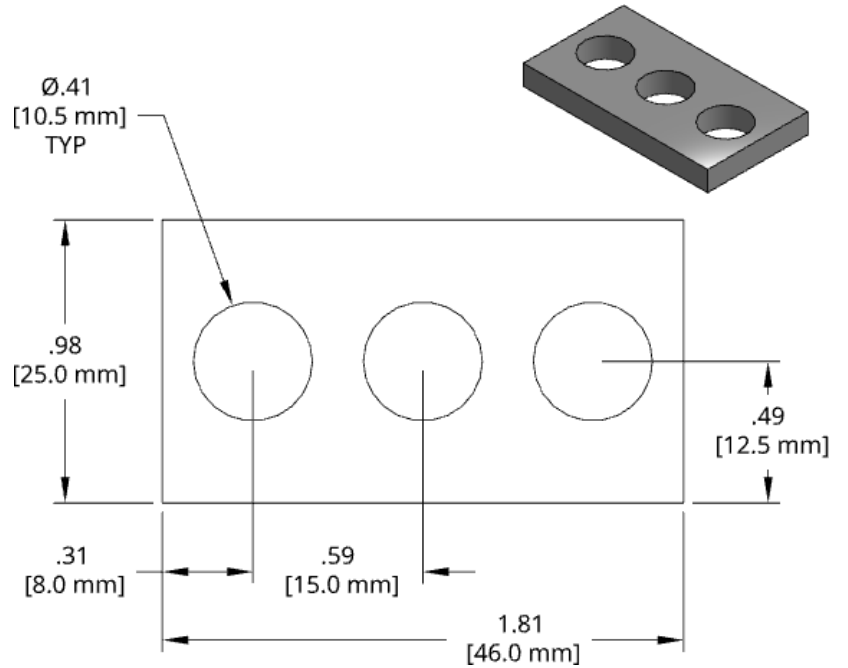
Individual Spacer	Thickness
DSCP038-M300	3.00mm
DSCP038-M320	3.20mm
DSCP038-M340	3.40mm
DSCP038-M360	3.60mm
DSCP038-M380	3.80mm
DSCP038-M400	4.00mm
DSCP038-M420	4.20mm
DSCP038-M440	4.40mm
DSCP038-M460	4.60mm
DSCP038-M480	4.80mm
DSCP038-M500	5.00mm
DSCP038-M520	5.20mm
DSCP038-M540	5.40mm
DSCP038-M560	5.60mm
DSCP038-M580	5.80mm
DSCP038-M600	6.00mm
DSCP038-M620	6.20mm
DSCP038-M640	6.40mm
DSCP038-M660	6.60mm
DSCP038-M680	6.80mm
DSCP038-M700	7.00mm



1018 Steel, Black Oxide finish
Other thicknesses available by request.

DSCP039 Series Spacer

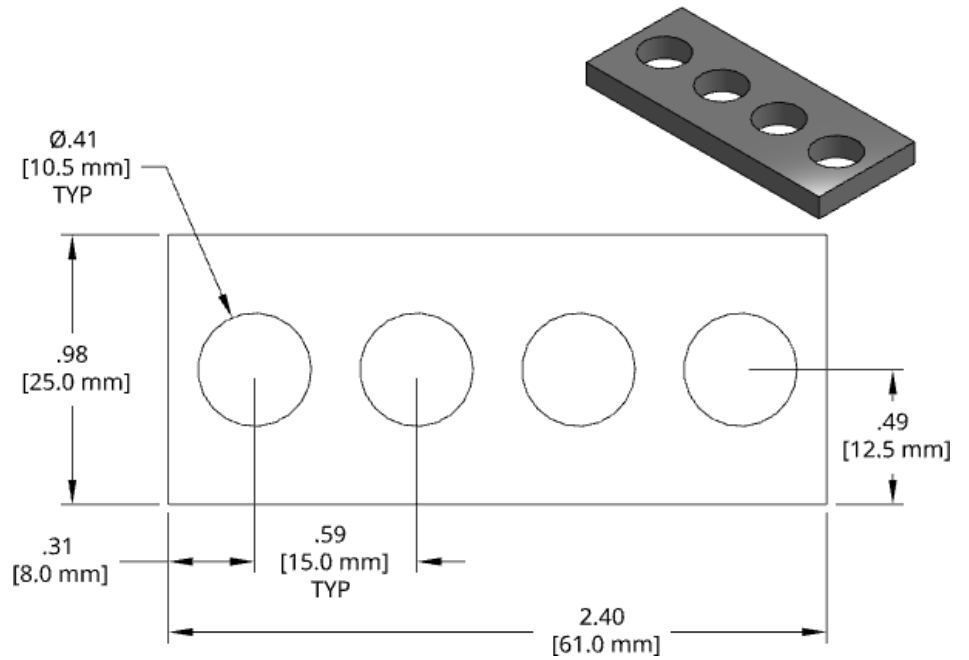
<u>Individual Spacer</u>	<u>Thickness</u>
DSCP039-M400	4.00mm
DSCP039-M425	4.25mm
DSCP039-M450	4.50mm
DSCP039-M475	4.75mm
DSCP039-M500	5.00mm
DSCP039-M525	5.25mm
DSCP039-M550	5.50mm
DSCP039-M575	5.75mm
DSCP039-M600	6.00mm
DSCP039-M625	6.25mm
DSCP039-M650	6.50mm
DSCP039-M675	6.75mm
DSCP039-M700	7.00mm
DSCP039-M725	7.25mm
DSCP039-M750	7.50mm
DSCP039-M775	7.75mm
DSCP039-M800	8.00mm



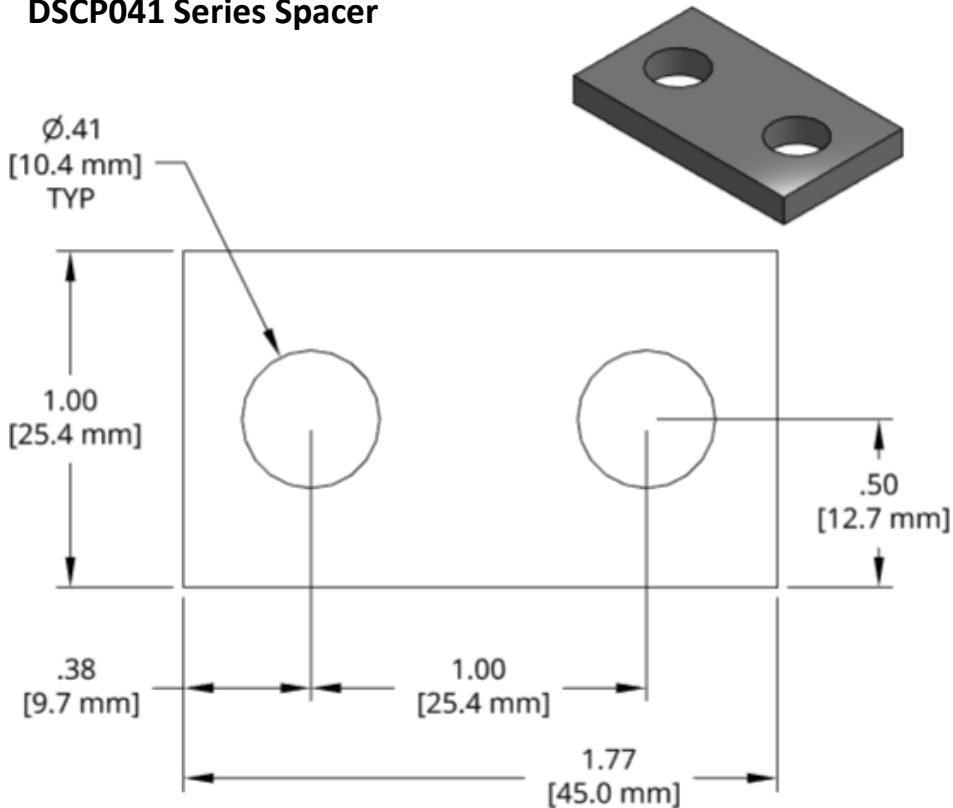
1018 Steel, Black Oxide finish
Other thicknesses available by request.

DSCP040 Series Spacer

<u>Individual Spacer</u>	<u>Thickness</u>
DSCP040-M400	4.00mm
DSCP040-M425	4.25mm
DSCP040-M450	4.50mm
DSCP040-M475	4.75mm
DSCP040-M500	5.00mm
DSCP040-M525	5.25mm
DSCP040-M550	5.50mm
DSCP040-M575	5.75mm
DSCP040-M600	6.00mm
DSCP040-M625	6.25mm
DSCP040-M650	6.50mm
DSCP040-M675	6.75mm
DSCP040-M700	7.00mm
DSCP040-M725	7.25mm
DSCP040-M750	7.50mm
DSCP040-M775	7.75mm
DSCP040-M800	8.00mm

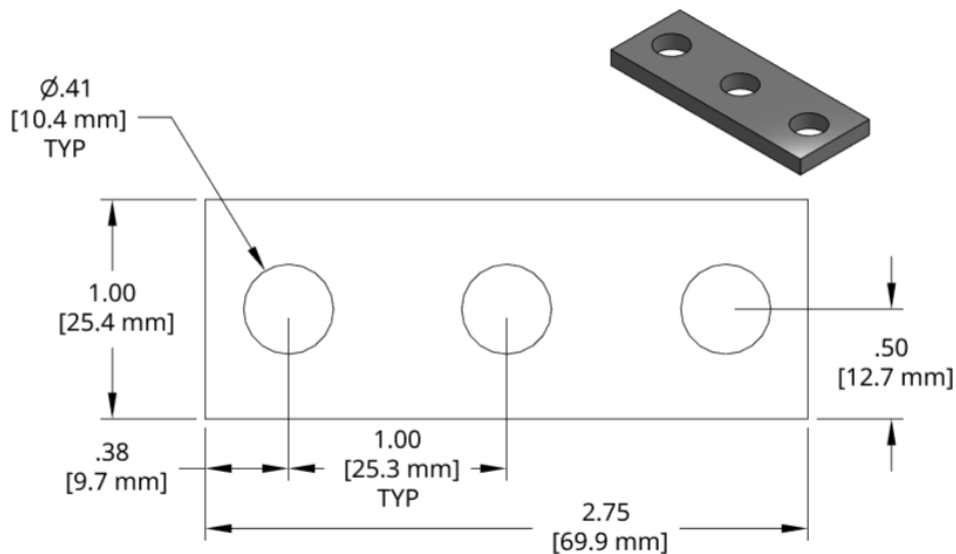


1018 Steel, Black Oxide finish
Other thicknesses available by request.

DSCP041 Series Spacer

Individual Spacer	Thickness
DSCP041-M400	4.00mm
DSCP041-M425	4.25mm
DSCP041-M450	4.50mm
DSCP041-M475	4.75mm
DSCP041-M500	5.00mm
DSCP041-M525	5.25mm
DSCP041-M550	5.50mm
DSCP041-M575	5.75mm
DSCP041-M600	6.00mm
DSCP041-M625	6.25mm
DSCP041-M650	6.50mm
DSCP041-M675	6.75mm
DSCP041-M700	7.00mm
DSCP041-M725	7.25mm
DSCP041-M750	7.50mm
DSCP041-M775	7.75mm
DSCP041-M800	8.00mm

1018 Steel, Black Oxide finish
Other thicknesses available by request.

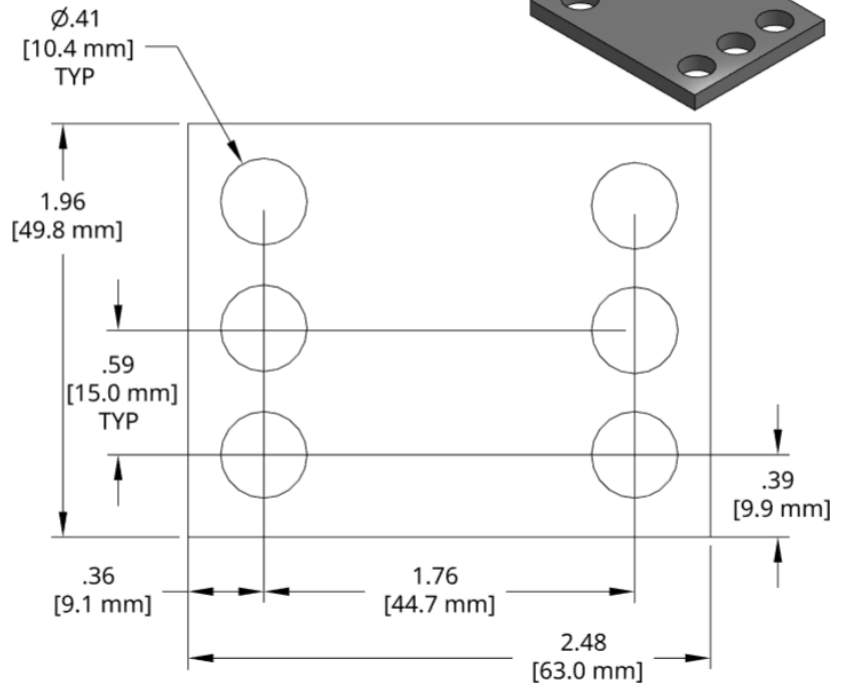
DSCP042 Series Spacer

Individual Spacer	Thickness
DSCP042-M400	4.00mm
DSCP042-M425	4.25mm
DSCP042-M450	4.50mm
DSCP042-M475	4.75mm
DSCP042-M500	5.00mm
DSCP042-M525	5.25mm
DSCP042-M550	5.50mm
DSCP042-M575	5.75mm
DSCP042-M600	6.00mm
DSCP042-M625	6.25mm
DSCP042-M650	6.50mm
DSCP042-M675	6.75mm
DSCP042-M700	7.00mm
DSCP042-M725	7.25mm
DSCP042-M750	7.50mm
DSCP042-M775	7.75mm
DSCP042-M800	8.00mm

1018 Steel, Black Oxide finish
Other thicknesses available by request.

DSCP043 Series Spacer

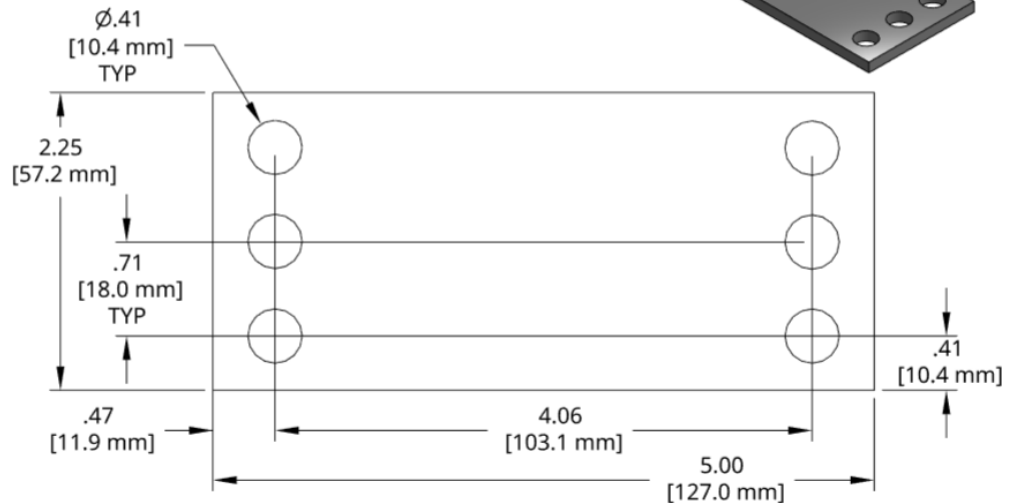
<u>Individual Spacer</u>	<u>Thickness</u>
DSCP043-M400	4.00mm
DSCP043-M425	4.25mm
DSCP043-M450	4.50mm
DSCP043-M475	4.75mm
DSCP043-M500	5.00mm
DSCP043-M525	5.25mm
DSCP043-M550	5.50mm
DSCP043-M575	5.75mm
DSCP043-M600	6.00mm
DSCP043-M625	6.25mm
DSCP043-M650	6.50mm
DSCP043-M675	6.75mm
DSCP043-M700	7.00mm
DSCP043-M725	7.25mm
DSCP043-M750	7.50mm
DSCP043-M775	7.75mm
DSCP043-M800	8.00mm



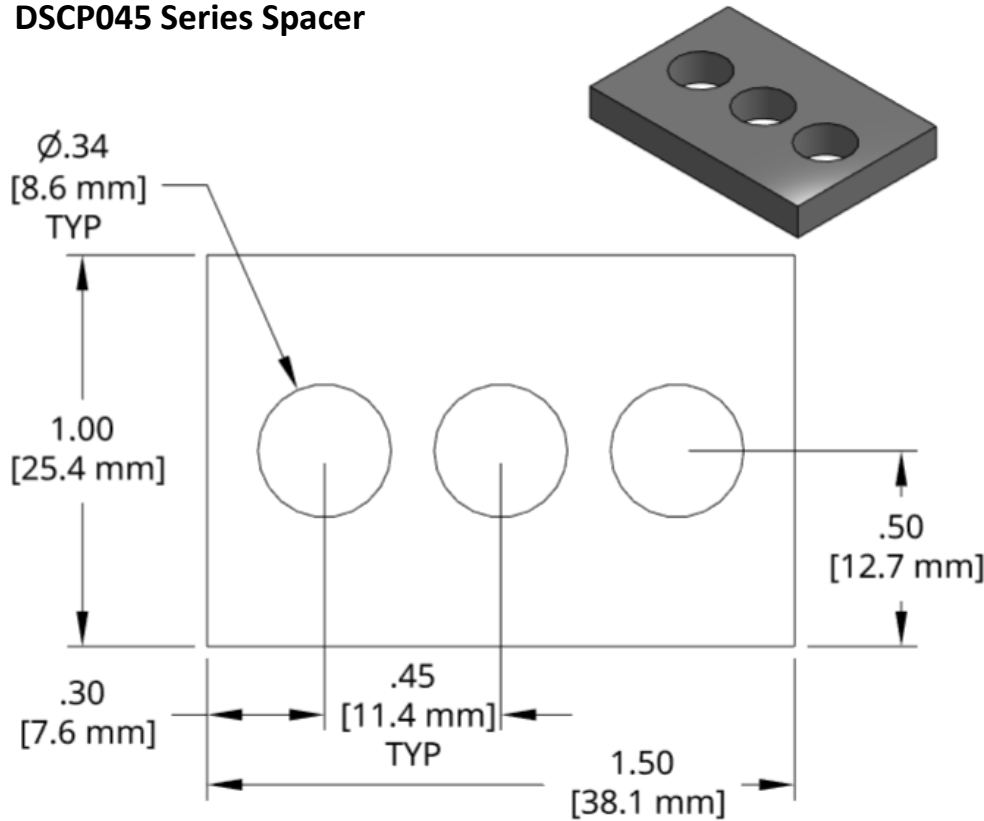
1018 Steel, Black Oxide finish
Other thicknesses available by request.

DSCP044 Series Spacer

<u>Individual Spacer</u>	<u>Thickness</u>
DSCP044-M400	4.00mm
DSCP044-M425	4.25mm
DSCP044-M450	4.50mm
DSCP044-M475	4.75mm
DSCP044-M500	5.00mm
DSCP044-M525	5.25mm
DSCP044-M550	5.50mm
DSCP044-M575	5.75mm
DSCP044-M600	6.00mm
DSCP044-M625	6.25mm
DSCP044-M650	6.50mm
DSCP044-M675	6.75mm
DSCP044-M700	7.00mm
DSCP044-M725	7.25mm
DSCP044-M750	7.50mm
DSCP044-M775	7.75mm
DSCP044-M800	8.00mm

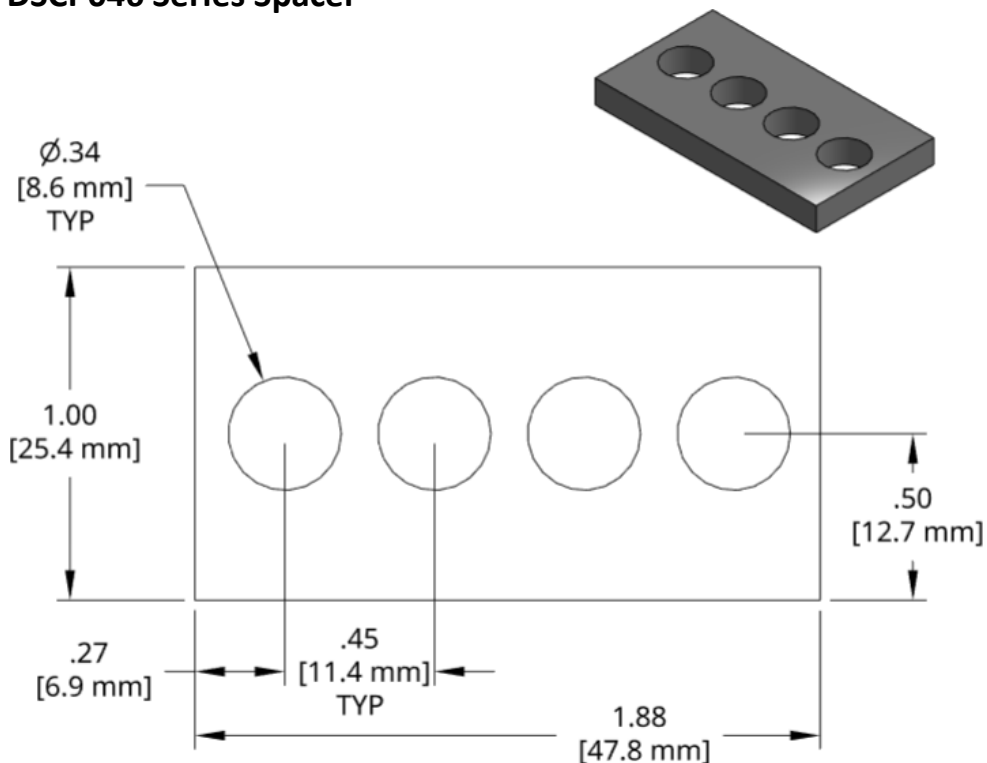


1018 Steel, Black Oxide finish
Other thicknesses available by request.

DSCP045 Series Spacer

1018 Steel, Black Oxide finish
Other thicknesses available by request.

Individual Spacer	Thickness
DSCP045-M400	4.00mm
DSCP045-M425	4.25mm
DSCP045-M450	4.50mm
DSCP045-M475	4.75mm
DSCP045-M500	5.00mm
DSCP045-M525	5.25mm
DSCP045-M550	5.50mm
DSCP045-M575	5.75mm
DSCP045-M600	6.00mm
DSCP045-M625	6.25mm
DSCP045-M650	6.50mm
DSCP045-M675	6.75mm
DSCP045-M700	7.00mm
DSCP045-M725	7.25mm
DSCP045-M750	7.50mm
DSCP045-M775	7.75mm
DSCP045-M800	8.00mm

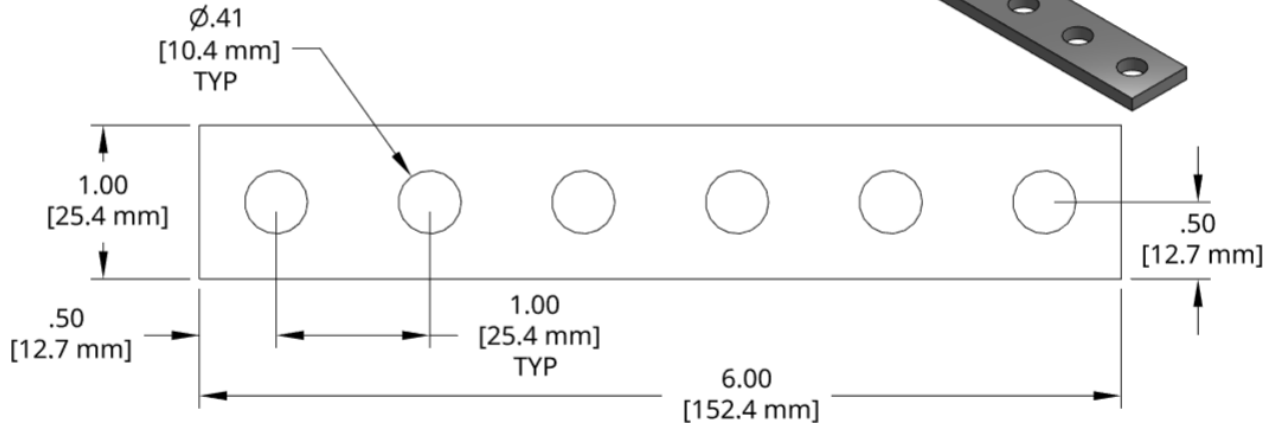
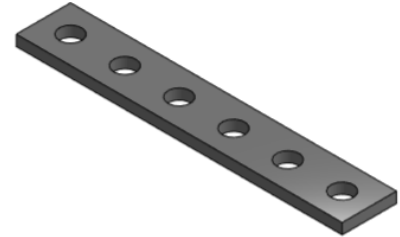
DSCP046 Series Spacer

1018 Steel, Black Oxide finish
Other thicknesses available by request.

Individual Spacer	Thickness
DSCP046-M400	4.00mm
DSCP046-M425	4.25mm
DSCP046-M450	4.50mm
DSCP046-M475	4.75mm
DSCP046-M500	5.00mm
DSCP046-M525	5.25mm
DSCP046-M550	5.50mm
DSCP046-M575	5.75mm
DSCP046-M600	6.00mm
DSCP046-M625	6.25mm
DSCP046-M650	6.50mm
DSCP046-M675	6.75mm
DSCP046-M700	7.00mm
DSCP046-M725	7.25mm
DSCP046-M750	7.50mm
DSCP046-M775	7.75mm
DSCP046-M800	8.00mm

DSCP047 Series Spacer

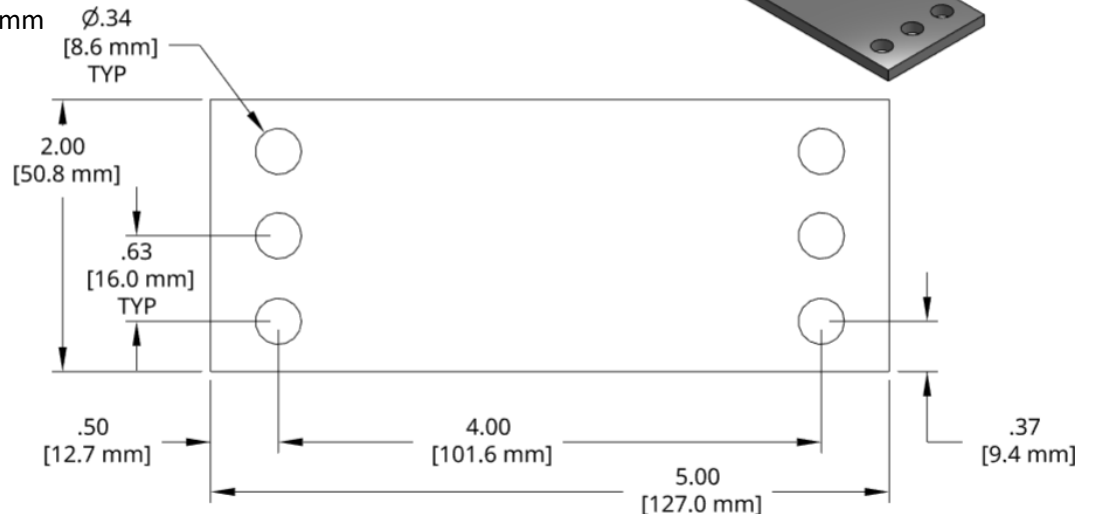
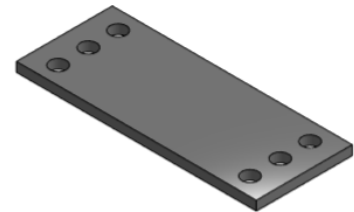
<u>Individual Spacer</u>	<u>Thickness</u>	<u>Individual Spacer</u>	<u>Thickness</u>
DSCP047-M400	4.00mm	DSCP047-M625	6.25mm
DSCP047-M425	4.25mm	DSCP047-M650	6.50mm
DSCP047-M450	4.50mm	DSCP047-M675	6.75mm
DSCP047-M475	4.75mm	DSCP047-M700	7.00mm
DSCP047-M500	5.00mm	DSCP047-M725	7.25mm
DSCP047-M525	5.25mm	DSCP047-M750	7.50mm
DSCP047-M550	5.50mm	DSCP047-M775	7.75mm
DSCP047-M575	5.75mm	DSCP047-M800	8.00mm
DSCP047-M600	6.00mm		



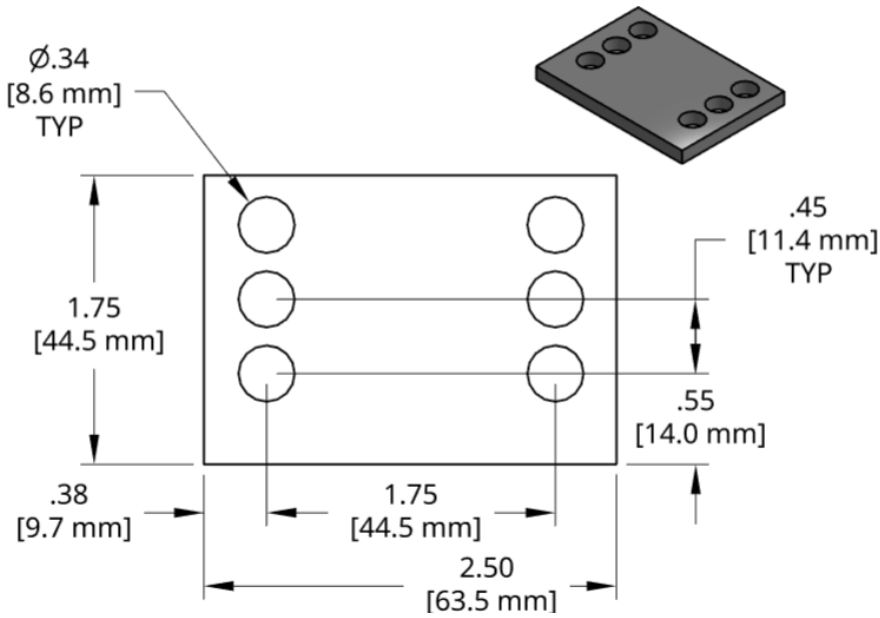
1018 Steel, Black Oxide finish
Other thicknesses available by request.

DSCP048 Series Spacer

<u>Individual Spacer</u>	<u>Thickness</u>	<u>Individual Spacer</u>	<u>Thickness</u>
DSCP048-M400	4.00mm	DSCP048-M625	6.25mm
DSCP048-M425	4.25mm	DSCP048-M650	6.50mm
DSCP048-M450	4.50mm	DSCP048-M675	6.75mm
DSCP048-M475	4.75mm	DSCP048-M700	7.00mm
DSCP048-M500	5.00mm	DSCP048-M725	7.25mm
DSCP048-M525	5.25mm	DSCP048-M750	7.50mm
DSCP048-M550	5.50mm	DSCP048-M775	7.75mm
DSCP048-M575	5.75mm	DSCP048-M800	8.00mm
DSCP048-M600	6.00mm		

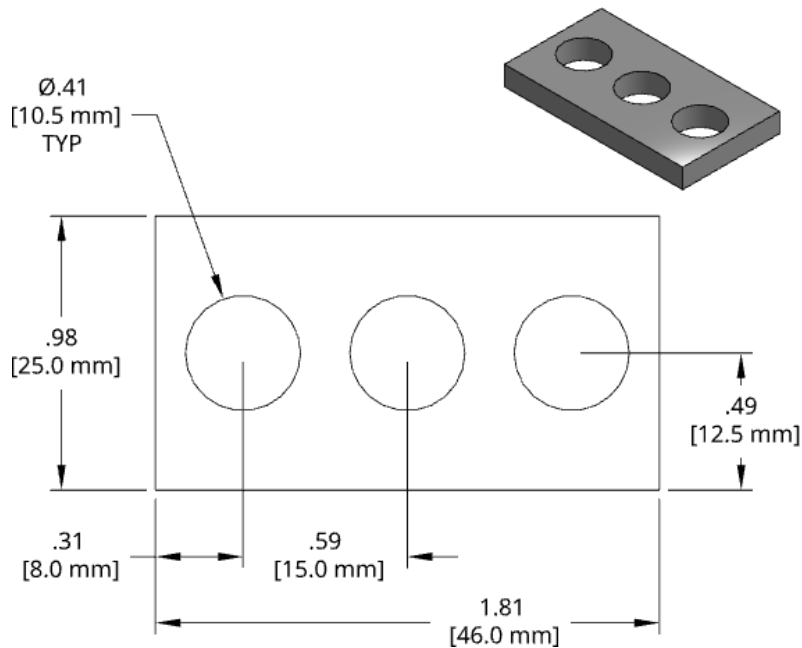


1018 Steel, Black Oxide finish
Other thicknesses available by request.

DSCP049 Series Spacer

<u>Individual Spacer</u>	<u>Thickness</u>
DSCP049-M400	4.00mm
DSCP049-M425	4.25mm
DSCP049-M450	4.50mm
DSCP049-M475	4.75mm
DSCP049-M500	5.00mm
DSCP049-M525	5.25mm
DSCP049-M550	5.50mm
DSCP049-M575	5.75mm
DSCP049-M600	6.00mm
DSCP049-M625	6.25mm
DSCP049-M650	6.50mm
DSCP049-M675	6.75mm
DSCP049-M700	7.00mm
DSCP049-M725	7.25mm
DSCP049-M750	7.50mm
DSCP049-M775	7.75mm
DSCP049-M800	8.00mm

1018 Steel, Black Oxide finish
Other thicknesses available by request.

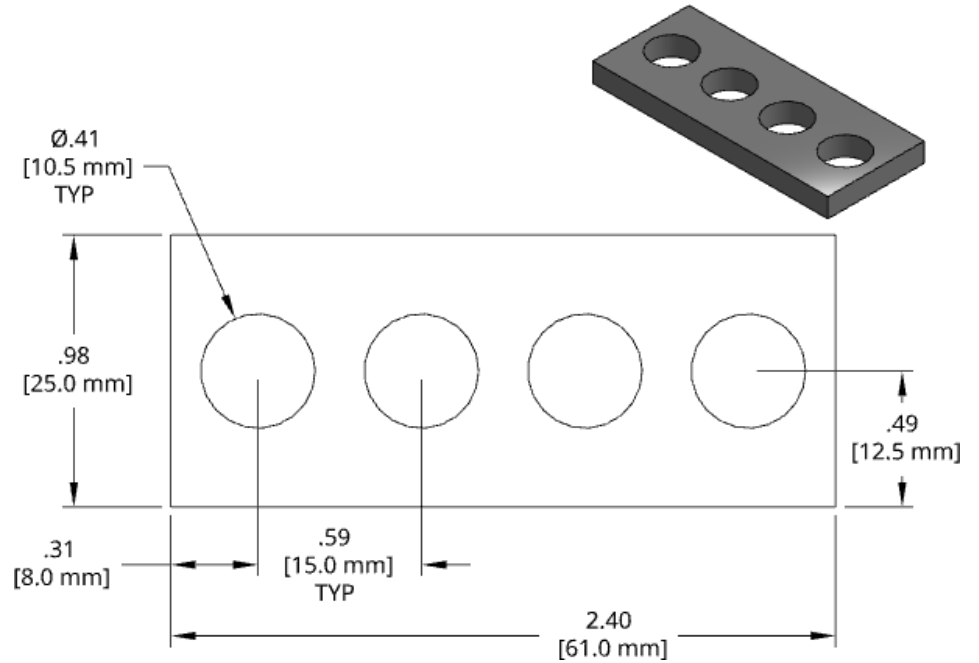
DSCP050 Series Spacer

<u>Individual Spacer</u>	<u>Thickness</u>
DSCP050-M025	0.25mm
DSCP050-M050	0.50mm
DSCP050-M100	1.00mm
DSCP050-M200	2.00mm
DSCP050-M300	3.00mm
DSCP050-M320	3.20mm
DSCP050-M340	3.40mm
DSCP050-M360	3.60mm
DSCP050-M380	3.80mm
DSCP050-M400	4.00mm
DSCP050-M420	4.20mm
DSCP050-M440	4.40mm
DSCP050-M460	4.60mm
DSCP050-M480	4.80mm
DSCP050-M500	5.00mm
DSCP050-M520	5.20mm
DSCP050-M540	5.40mm
DSCP050-M560	5.60mm
DSCP050-M580	5.80mm
DSCP050-M600	6.00mm
DSCP050-M620	6.20mm
DSCP050-M640	6.40mm
DSCP050-M660	6.60mm
DSCP050-M680	6.80mm
DSCP050-M700	7.00mm

1018 Steel, Black Oxide finish –M300 and up
Other thicknesses available by request.

DSCP051 Series Spacer

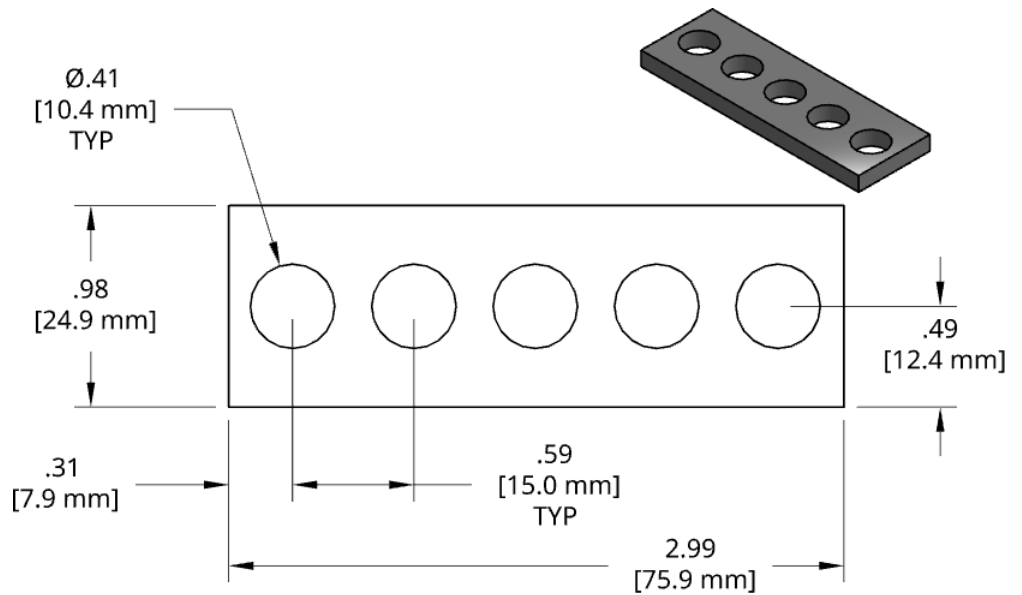
<u>Individual Spacer</u>	<u>Thickness</u>
DSCP051-M025	0.25mm
DSCP051-M050	0.50mm
DSCP051-M100	1.00mm
DSCP051-M200	2.00mm
DSCP051-M300	3.00mm
DSCP051-M320	3.20mm
DSCP051-M340	3.40mm
DSCP051-M360	3.60mm
DSCP051-M380	3.80mm
DSCP051-M400	4.00mm
DSCP051-M420	4.20mm
DSCP051-M440	4.40mm
DSCP051-M460	4.60mm
DSCP051-M480	4.80mm
DSCP051-M500	5.00mm
DSCP051-M520	5.20mm
DSCP051-M540	5.40mm
DSCP051-M560	5.60mm
DSCP051-M580	5.80mm
DSCP051-M600	6.00mm
DSCP051-M620	6.20mm
DSCP051-M640	6.40mm
DSCP051-M660	6.60mm
DSCP051-M680	6.80mm
DSCP051-M700	7.00mm



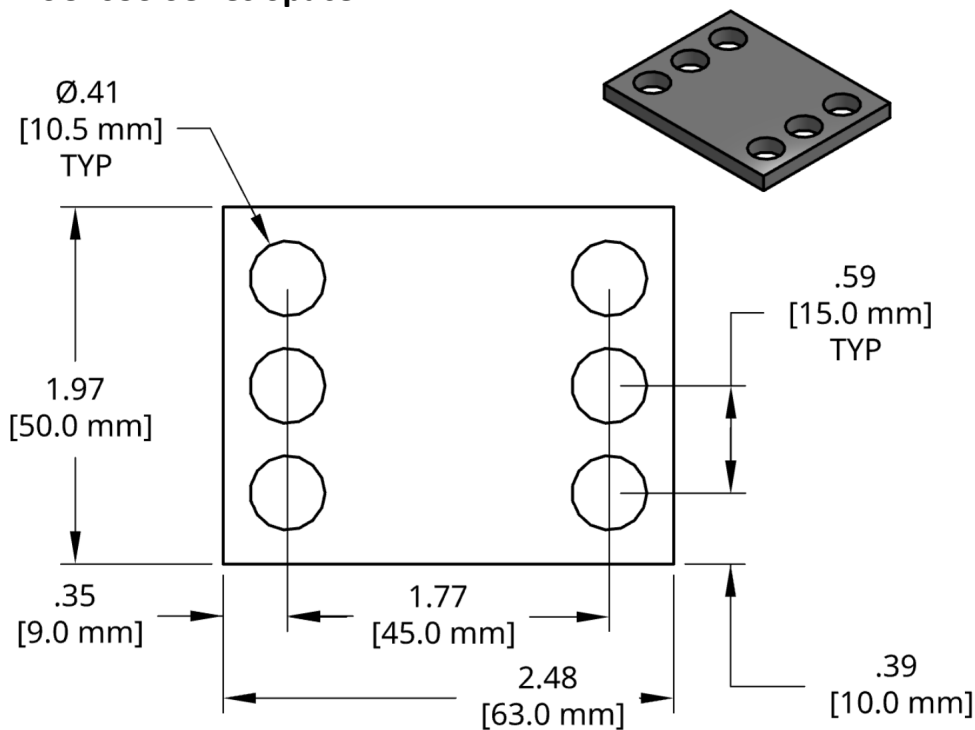
1018 Steel, Black Oxide finish –M300 and up
Other thicknesses available by request.

DSCP052 Series Spacer

<u>Individual Spacer</u>	<u>Thickness</u>
DSCP052-M025	0.25mm
DSCP052-M050	0.50mm
DSCP052-M100	1.00mm
DSCP052-M200	2.00mm
DSCP052-M300	3.00mm
DSCP052-M320	3.20mm
DSCP052-M340	3.40mm
DSCP052-M360	3.60mm
DSCP052-M380	3.80mm
DSCP052-M400	4.00mm
DSCP052-M420	4.20mm
DSCP052-M440	4.40mm
DSCP052-M460	4.60mm
DSCP052-M480	4.80mm
DSCP052-M500	5.00mm
DSCP052-M520	5.20mm
DSCP052-M540	5.40mm
DSCP052-M560	5.60mm
DSCP052-M580	5.80mm
DSCP052-M600	6.00mm
DSCP052-M620	6.20mm
DSCP052-M640	6.40mm
DSCP052-M660	6.60mm
DSCP052-M680	6.80mm
DSCP052-M700	7.00mm

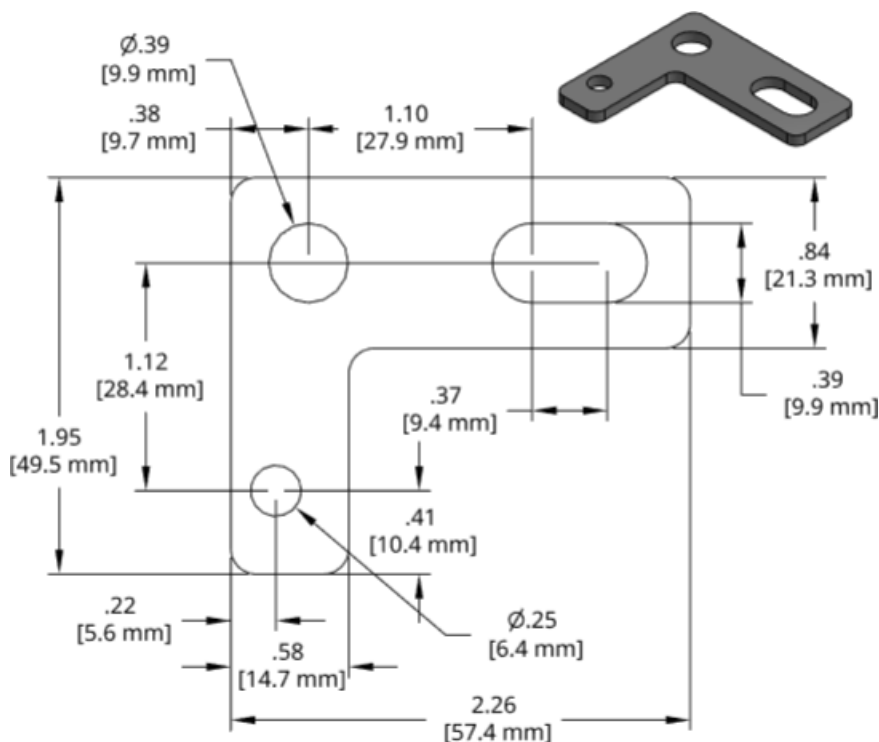


1018 Steel, Black Oxide finish –M300 and up
Other thicknesses available by request.

DSCP053 Series Spacer

<u>Individual Spacer</u>	<u>Thickness</u>
DSCP053-M025	0.25mm
DSCP053-M050	0.50mm
DSCP053-M100	1.00mm
DSCP053-M200	2.00mm
DSCP053-M300	3.00mm
DSCP053-M320	3.20mm
DSCP053-M340	3.40mm
DSCP053-M360	3.60mm
DSCP053-M380	3.80mm
DSCP053-M400	4.00mm
DSCP053-M420	4.20mm
DSCP053-M440	4.40mm
DSCP053-M460	4.60mm
DSCP053-M480	4.80mm
DSCP053-M500	5.00mm
DSCP053-M520	5.20mm
DSCP053-M540	5.40mm
DSCP053-M560	5.60mm
DSCP053-M580	5.80mm
DSCP053-M600	6.00mm
DSCP053-M620	6.20mm
DSCP053-M640	6.40mm
DSCP053-M660	6.60mm
DSCP053-M680	6.80mm
DSCP053-M700	7.00mm

1018 Steel, Black Oxide finish –M300 and up
Other thicknesses available by request.

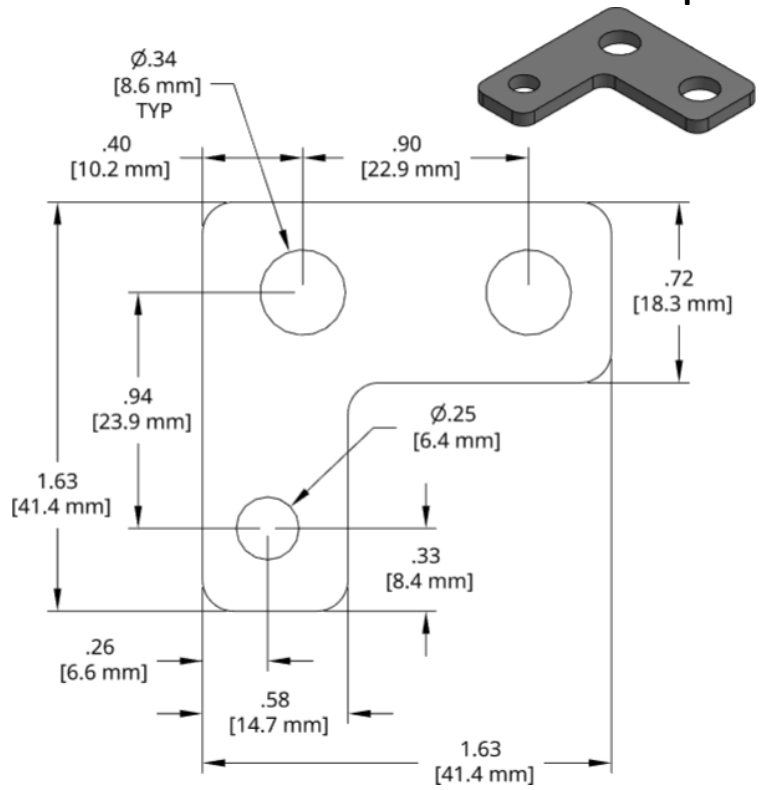
DSCP054 Series Spacer

<u>Individual Spacer</u>	<u>Thickness</u>
DSCP054-E125	.125inch

1018 Steel
Other thicknesses available by request.

Individual Spacer	Thickness
DSCP055-E125	.125inch

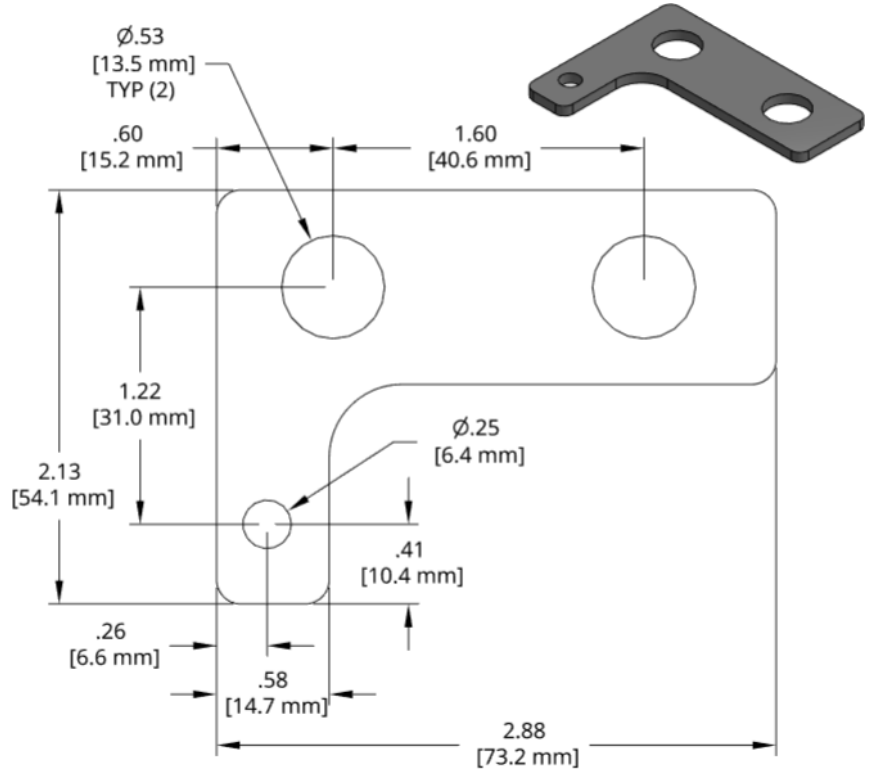
DSCP055 Series Spacer



1018 Steel
Other thicknesses available by request.

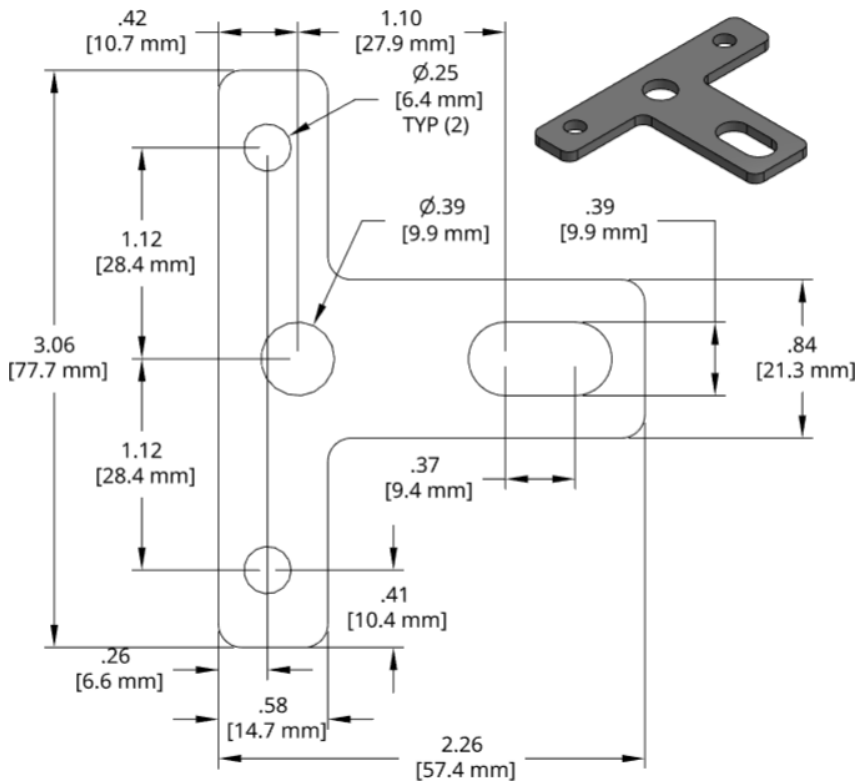
Individual Spacer	Thickness
DSCP056-E125	.125inch

DSCP056 Series Spacer



1018 Steel
Other thicknesses available by request.

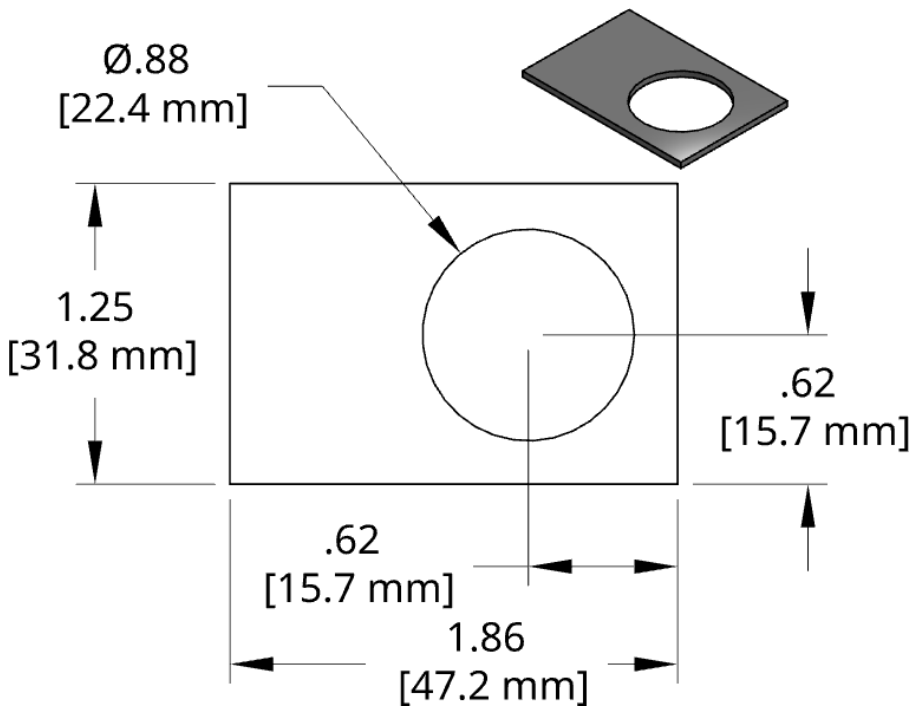
DSCP057 Series Spacer



Individual Spacer	Thickness
DSCP057-E125	.125inch

1018 Steel
Other thicknesses available by request.

DSCP058 Series Spacer

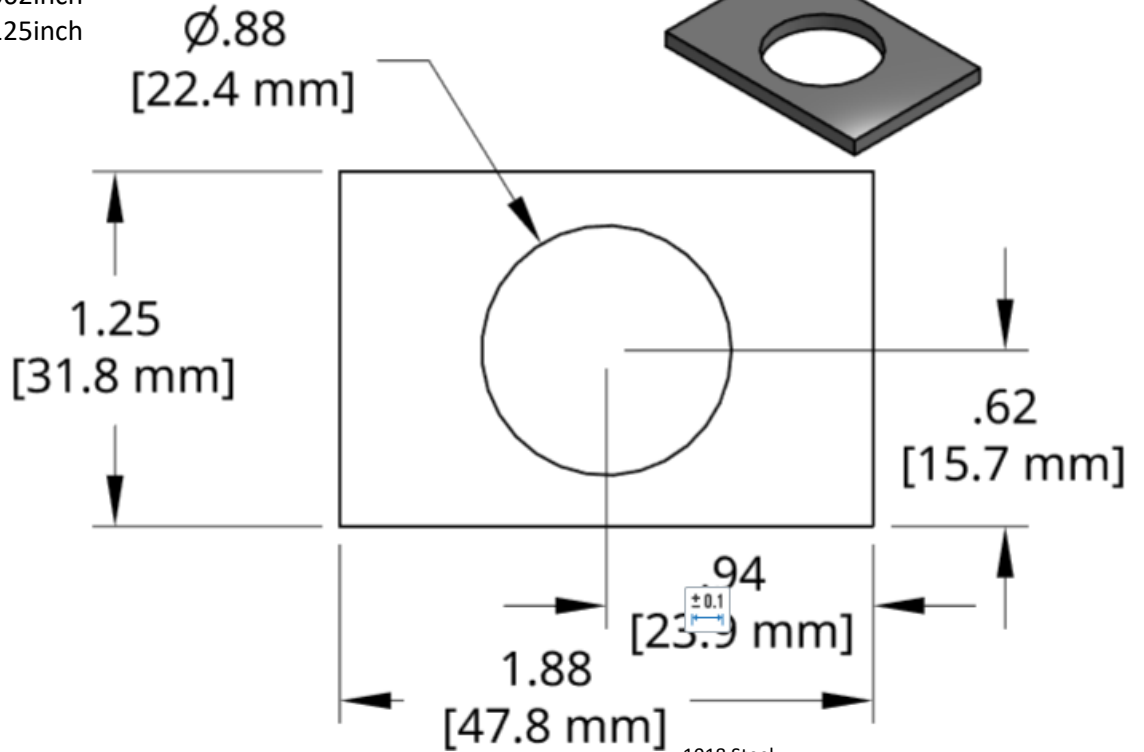


Individual Spacer	Thickness
DSCP058-E062	.062inch
DSCP058-E125	.125inch

1018 Steel
Other thicknesses available by request.

DSCP059 Series Spacer

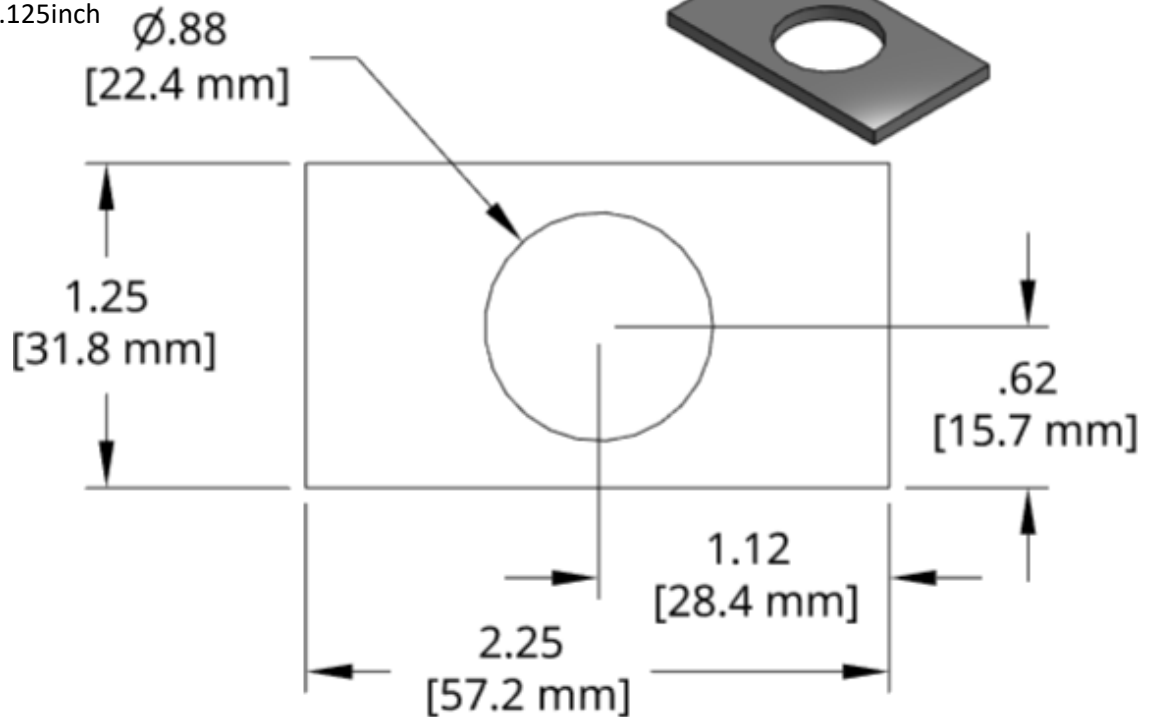
<u>Individual Spacer</u>	<u>Thickness</u>
DSCP059-E062	.062inch
DSCP059-E125	.125inch



1018 Steel
Other thicknesses available by request.

DSCP060 Series Spacer

<u>Individual Spacer</u>	<u>Thickness</u>
DSCP060-E062	.062inch
DSCP060-E125	.125inch

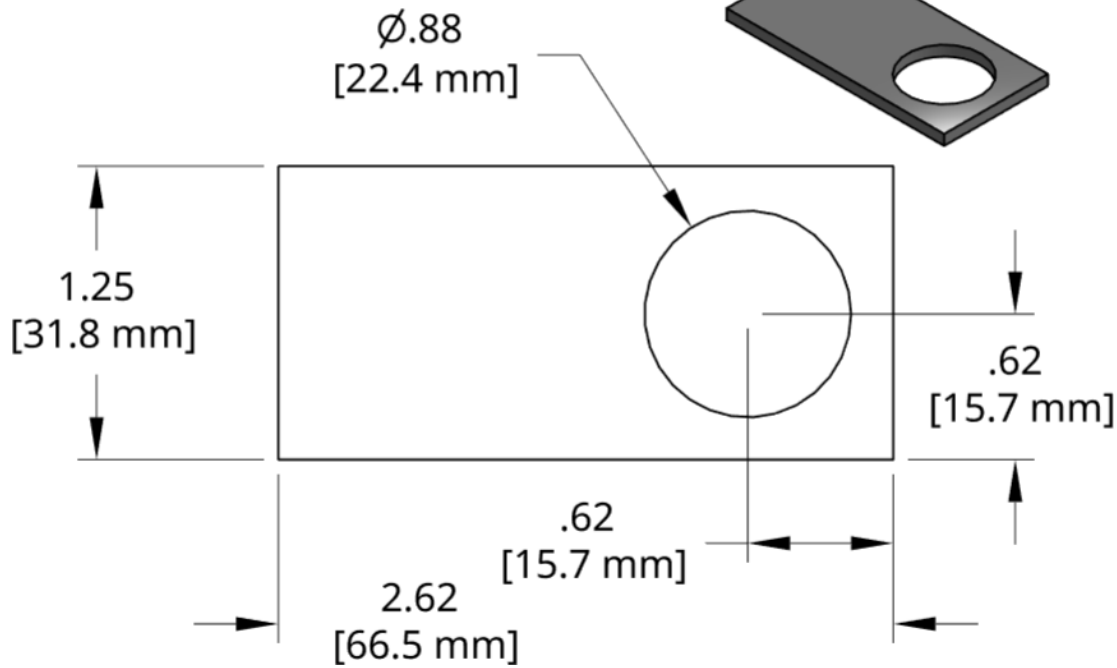


1018 Steel
Other thicknesses available by request.

DSCP061 Series Spacer**Individual Spacer** **Thickness**

DSCP061-E062 .062inch

DSCP061-E125 .125inch

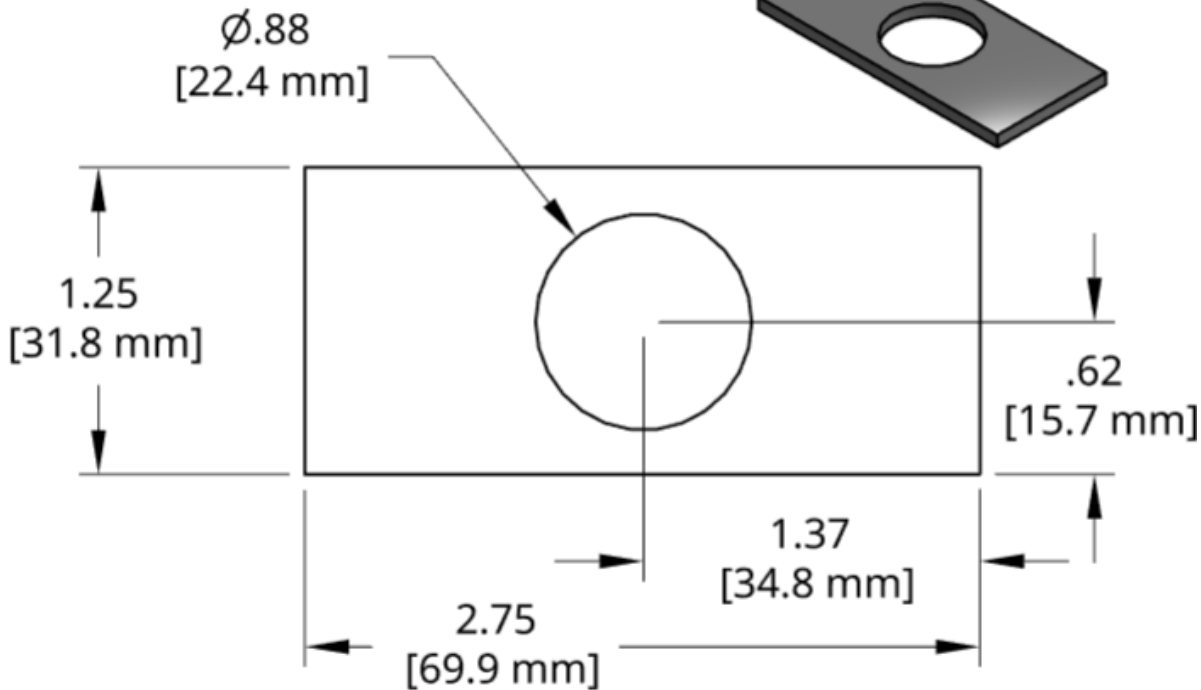


1018 Steel
Other thicknesses available by request.

DSCP062 Series Spacer**Individual Spacer** **Thickness**

DSCP062-E062 .062inch

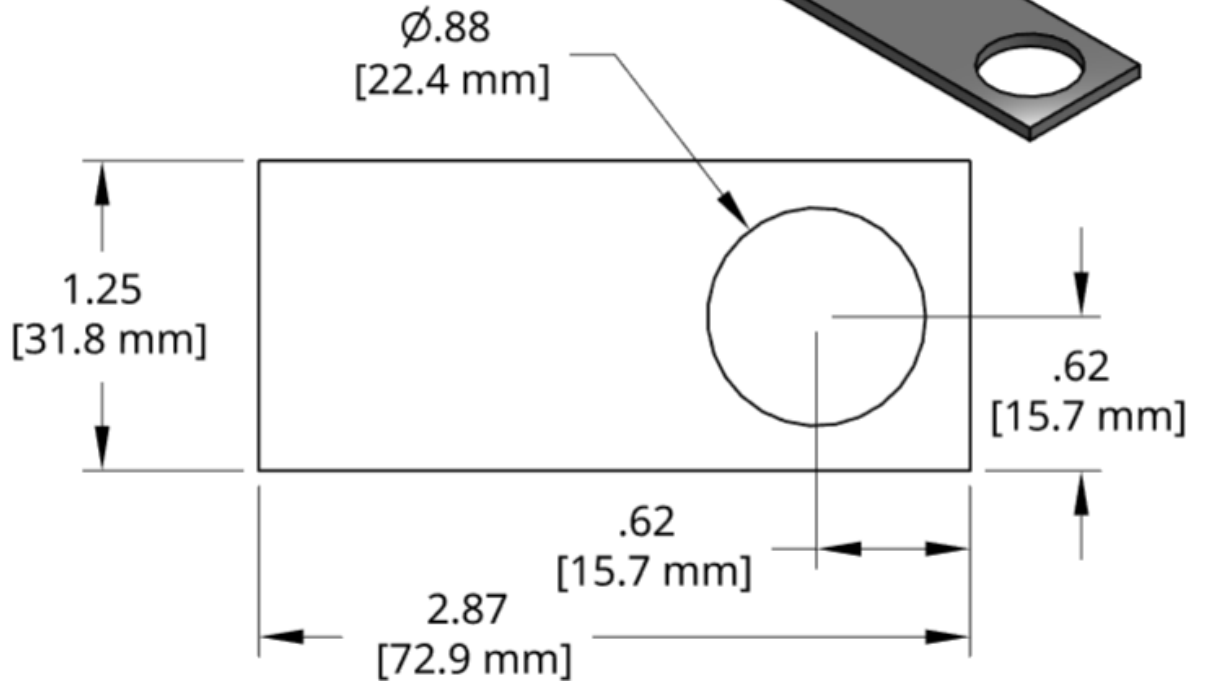
DSCP062-E125 .125inch



1018 Steel
Other thicknesses available by request.

DSCP063 Series Spacer

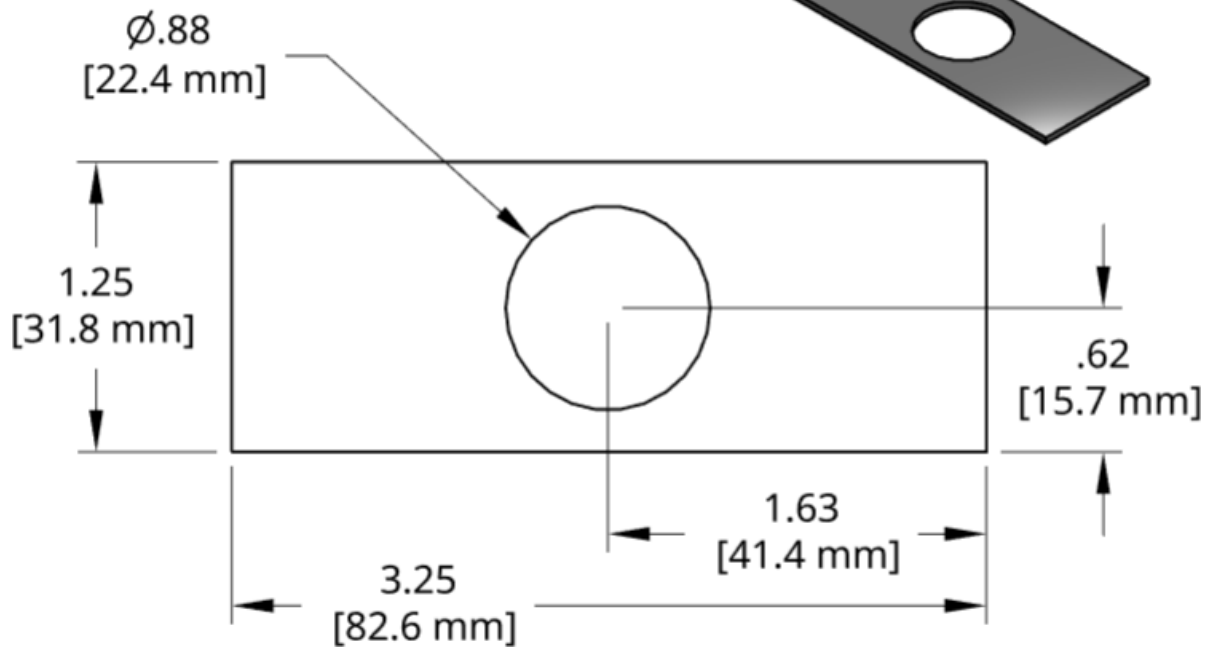
<u>Individual Spacer</u>	<u>Thickness</u>
DSCP063-E062	.062inch
DSCP063-E125	.125inch



1018 Steel
Other thicknesses available by request.

DSCP064 Series Spacer

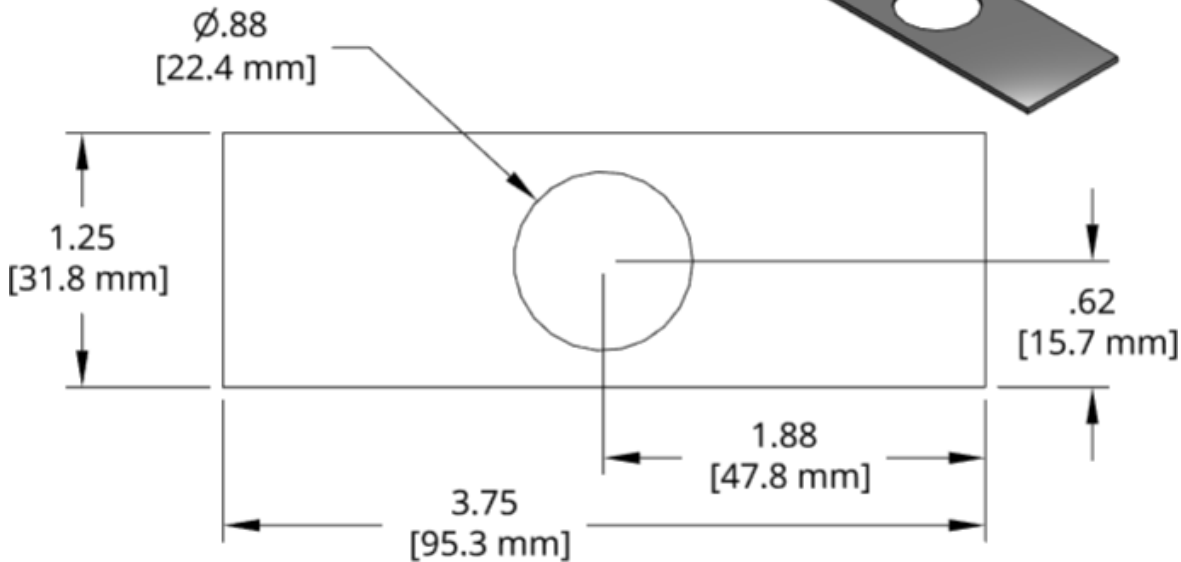
<u>Individual Spacer</u>	<u>Thickness</u>
DSCP064-E062	.062inch
DSCP064-E125	.125inch



1018 Steel
Other thicknesses available by request.

DSCP065 Series Spacer

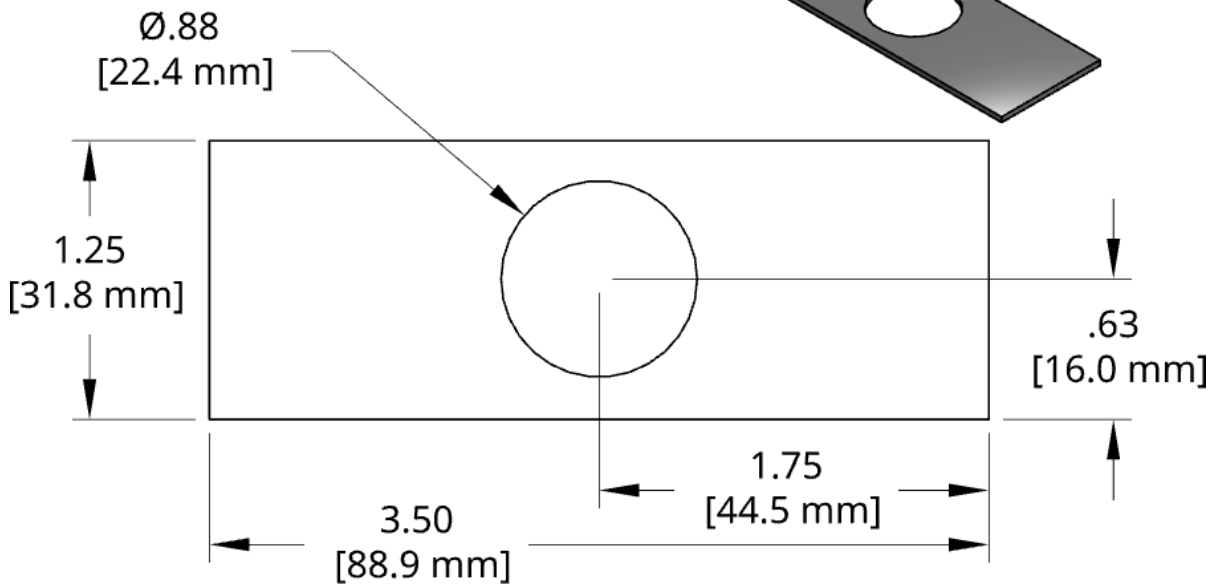
<u>Individual Spacer</u>	<u>Thickness</u>
DSCP065-E062	.062inch
DSCP065-E125	.125inch



1018 Steel
Other thicknesses available by request.

DSCP066 Series Spacer

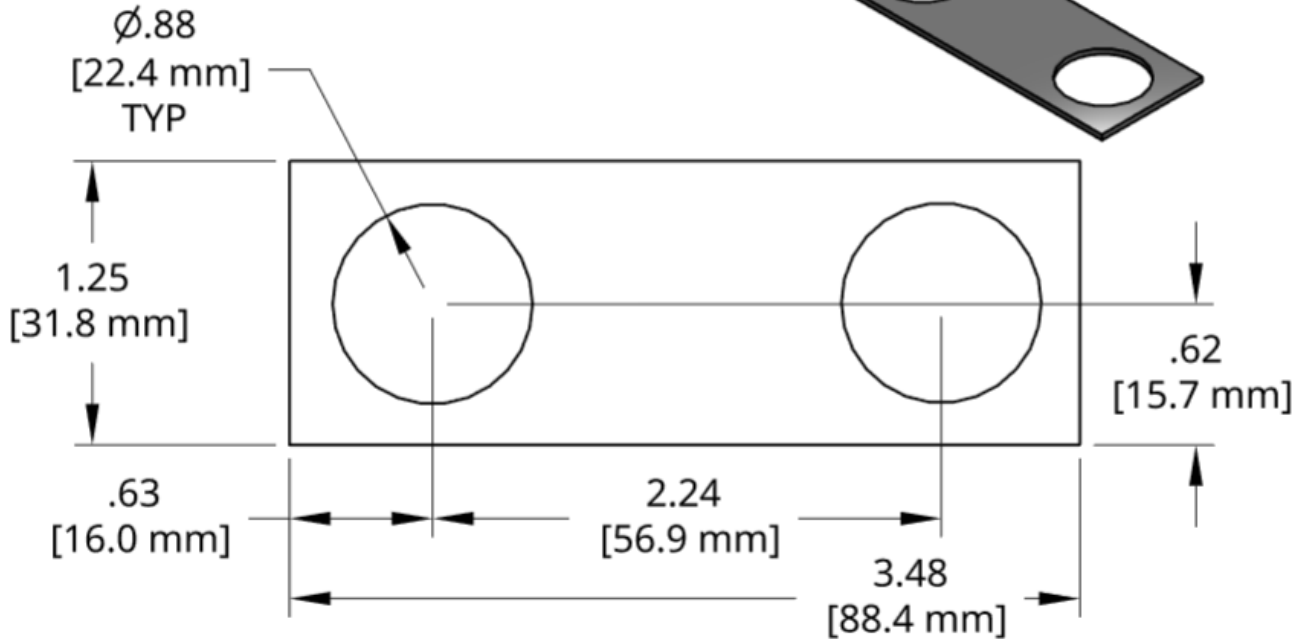
<u>Individual Spacer</u>	<u>Thickness</u>
DSCP066-E062	.062inch
DSCP066-E125	.125inch



1018 Steel
Other thicknesses available by request.

DSCP067 Series Spacer

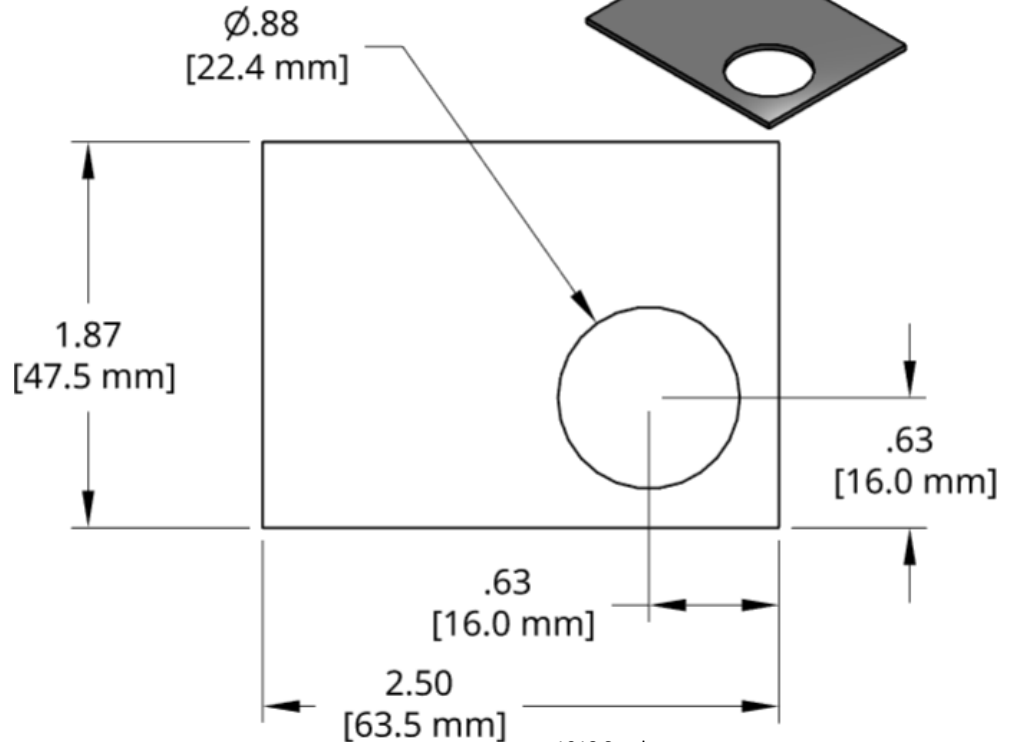
<u>Individual Spacer</u>	<u>Thickness</u>
DSCP067-E062	.062inch
DSCP067-E125	.125inch



1018 Steel
Other thicknesses available by request.

DSCP068 Series Spacer

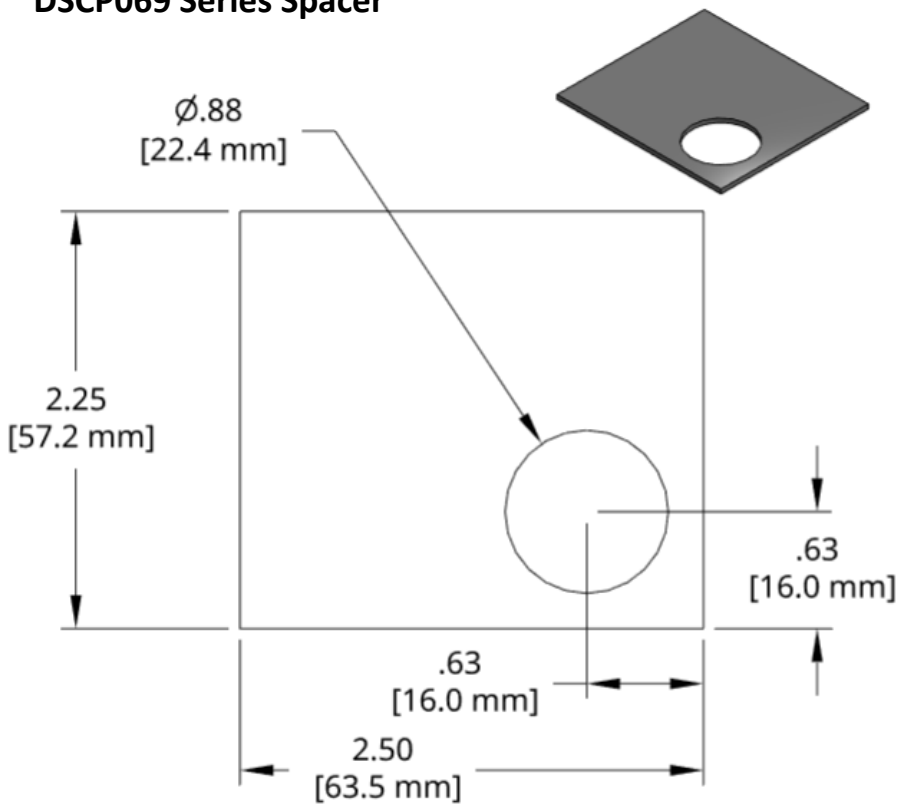
<u>Individual Spacer</u>	<u>Thickness</u>
DSCP068-E062	.062inch
DSCP068-E125	.125inch



1018 Steel
Other thicknesses available by request.

DSCP069 Series Spacer

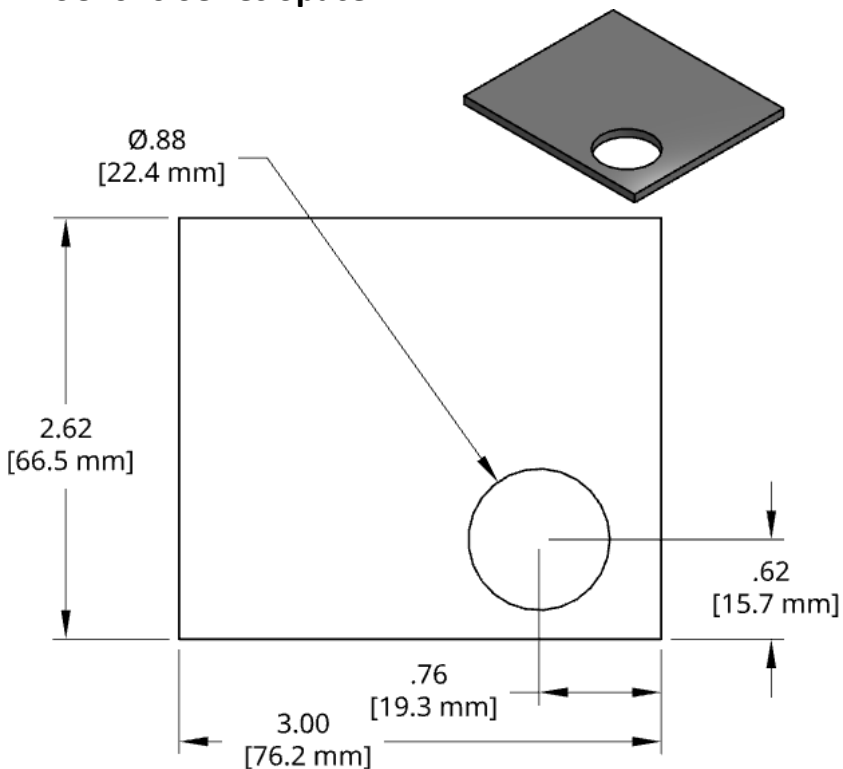
<u>Individual Spacer</u>	<u>Thickness</u>
DSCP069-E062	.062inch
DSCP069-E125	.125inch



1018 Steel
Other thicknesses available by request.

DSCP070 Series Spacer

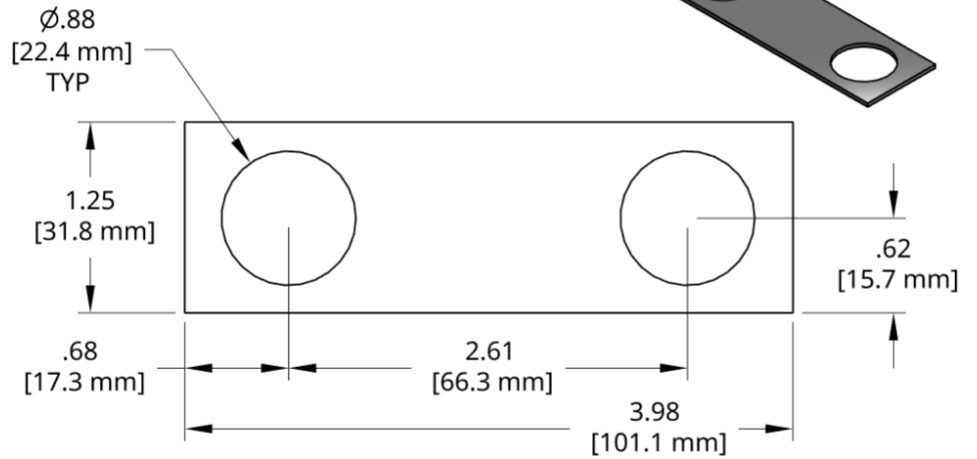
<u>Individual Spacer</u>	<u>Thickness</u>
DSCP070-E062	.062inch
DSCP070-E125	.125inch



1018 Steel
Other thicknesses available by request.

DSCP071 Series Spacer

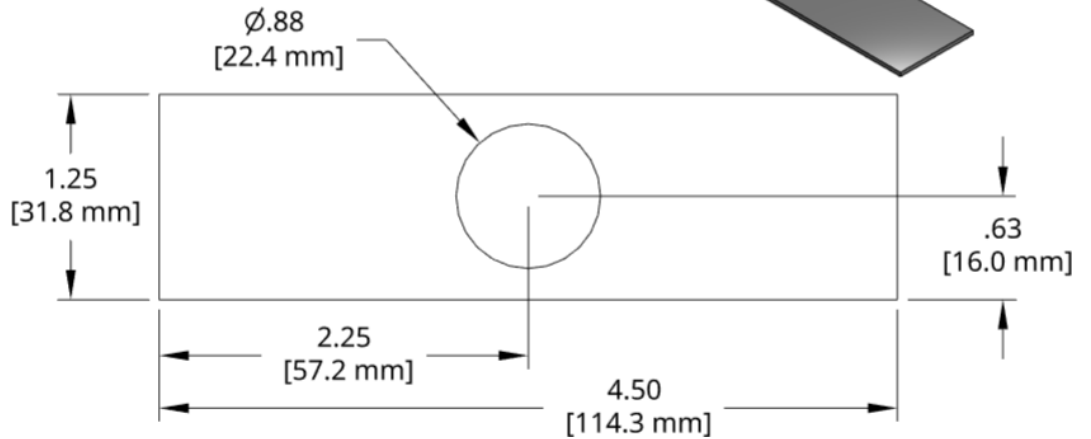
<u>Individual Spacer</u>	<u>Thickness</u>
DSCP071-E062	.062inch
DSCP071-E125	.125inch



1018 Steel
Other thicknesses available by request.

DSCP072 Series Spacer

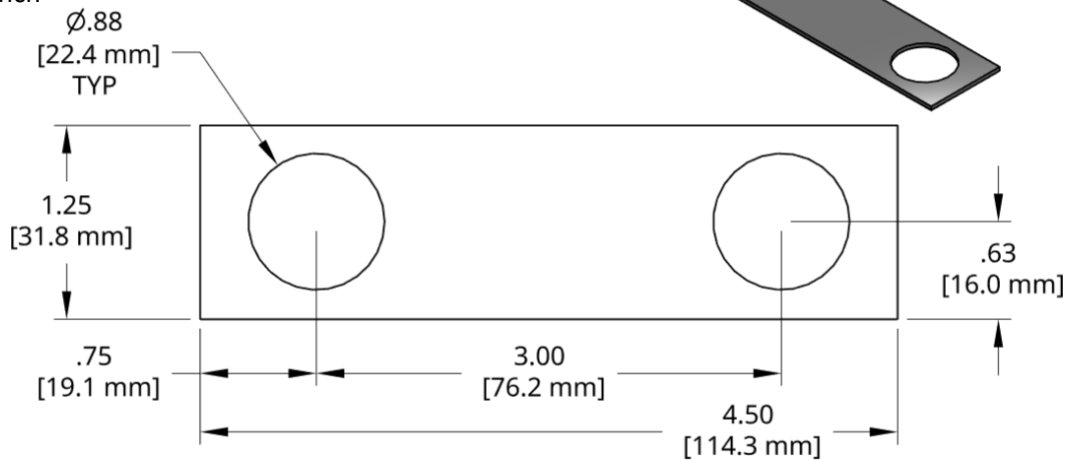
<u>Individual Spacer</u>	<u>Thickness</u>
DSCP072-E062	.062inch
DSCP072-E125	.125inch



1018 Steel
Other thicknesses available by request.

DSCP073 Series Spacer

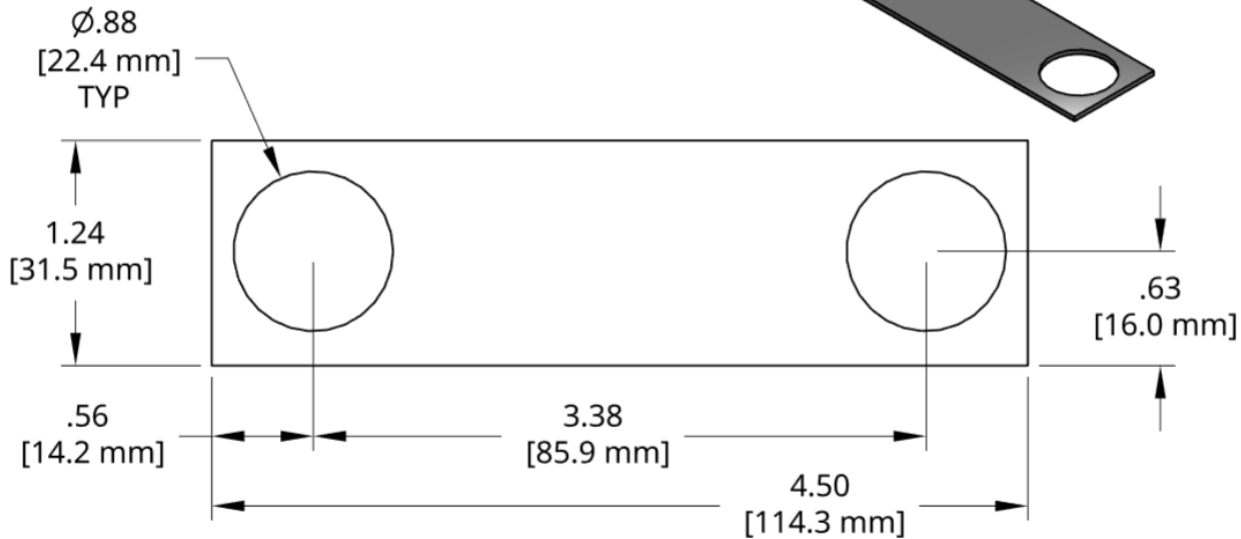
<u>Individual Spacer</u>	<u>Thickness</u>
DSCP073-E062	.062inch
DSCP073-E125	.125inch



1018 Steel
Other thicknesses available by request.

DSCP074 Series Spacer

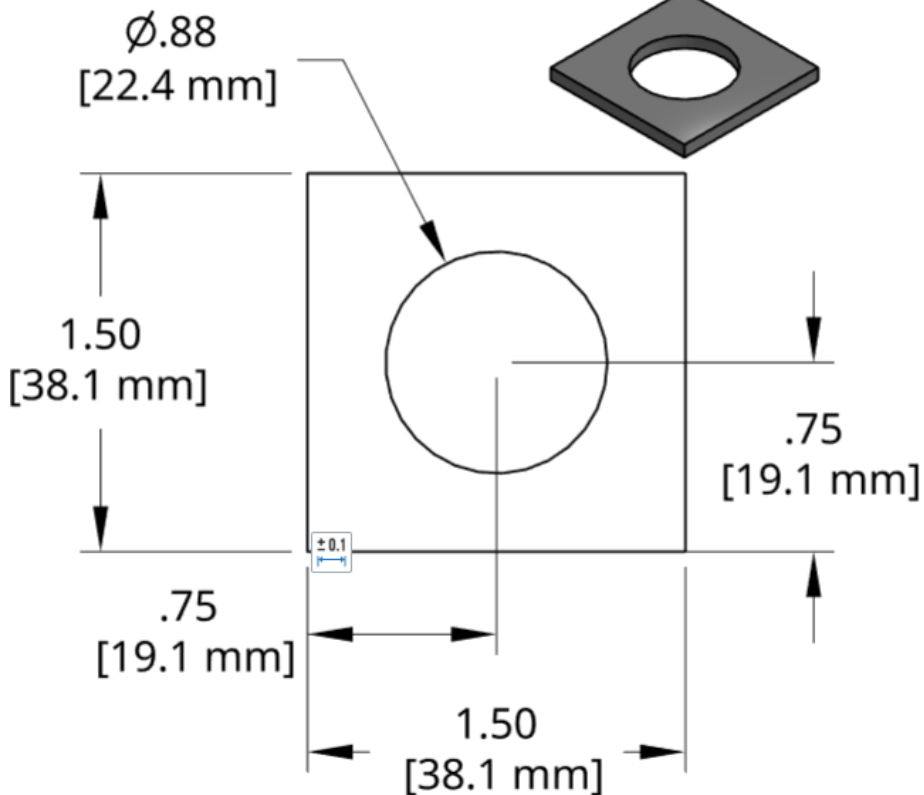
<u>Individual Spacer</u>	<u>Thickness</u>
DSCP074-E062	.062inch
DSCP074-E125	.125inch



1018 Steel
Other thicknesses available by request.

DSCP075 Series Spacer

<u>Individual Spacer</u>	<u>Thickness</u>
DSCP075-E062	.062inch
DSCP075-E125	.125inch

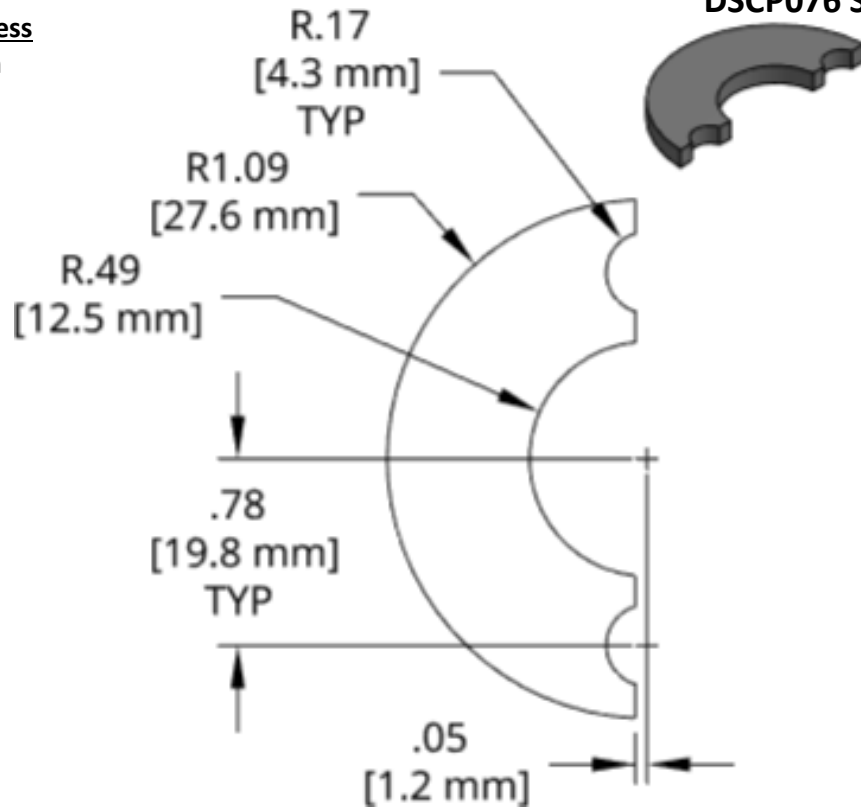


1018 Steel
Other thicknesses available by request.

Individual Spacer	Thickness
DSCP076-E180	.18inch

(Set consists of two pieces)

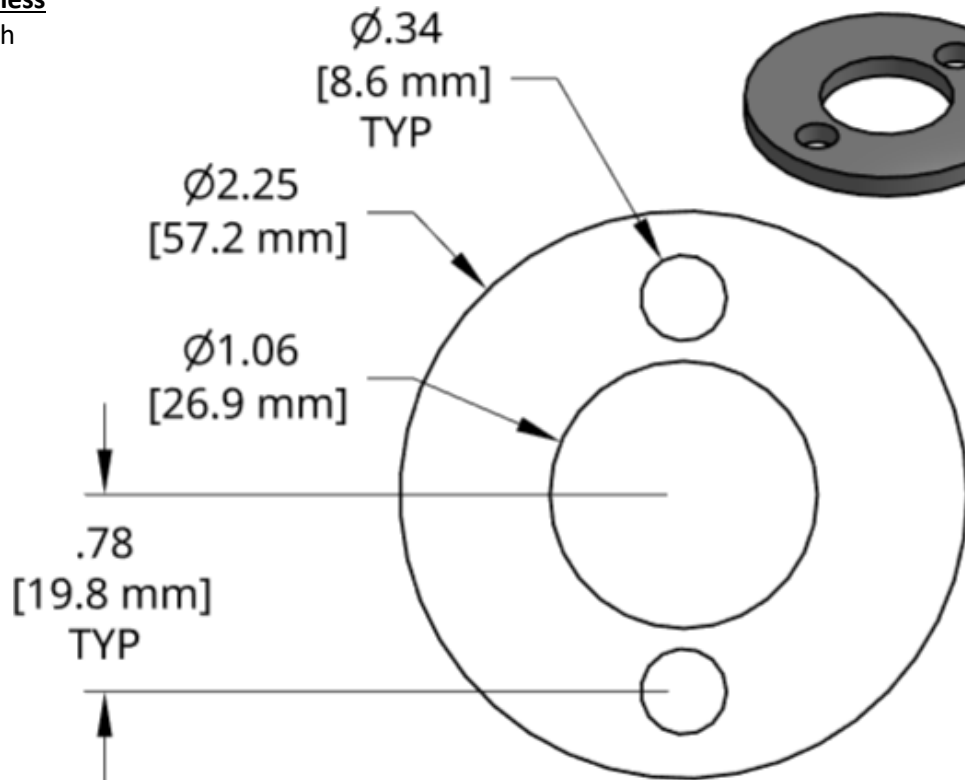
DSCP076 Series Spacer



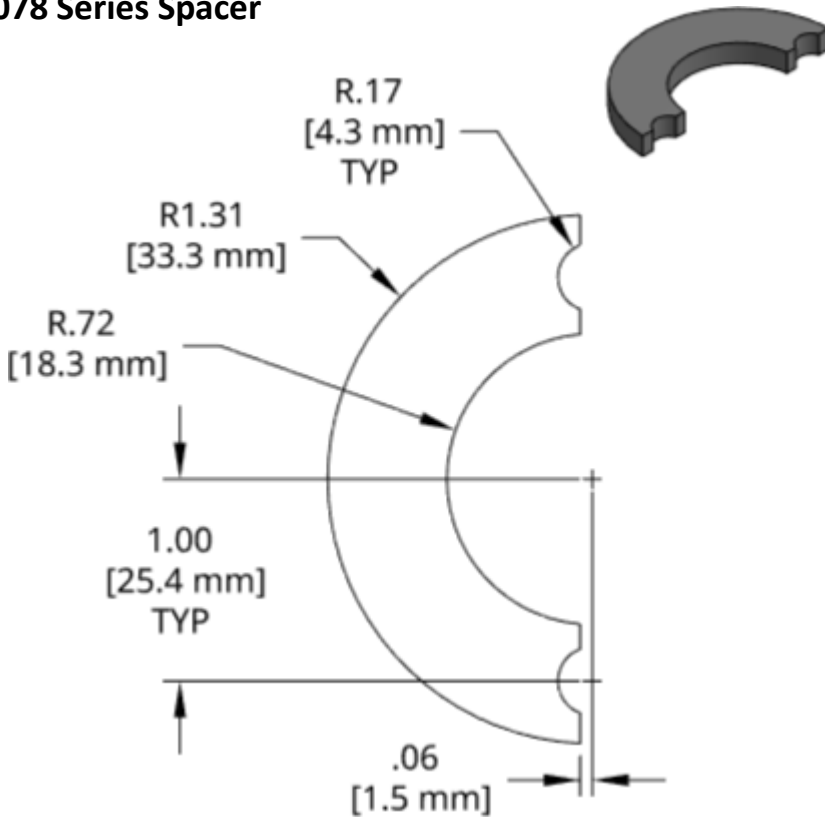
1018 Steel
Other thicknesses available by request.

Individual Spacer	Thickness
DSCP077-E180	.18inch

DSCP077 Series Spacer



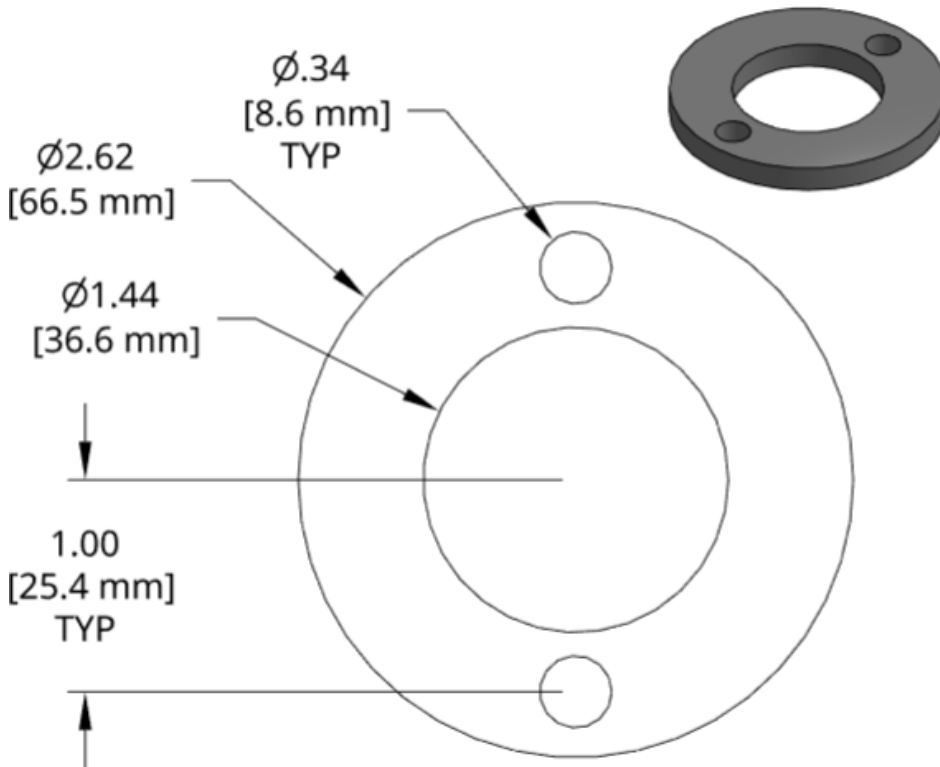
1018 Steel
Other thicknesses available by request.

DSCP078 Series Spacer

Individual Spacer	Thickness
DSCP078-E250	.25inch

Set consists of two pieces.

1018 Steel
Other thicknesses available by request.

DSCP079 Series Spacer

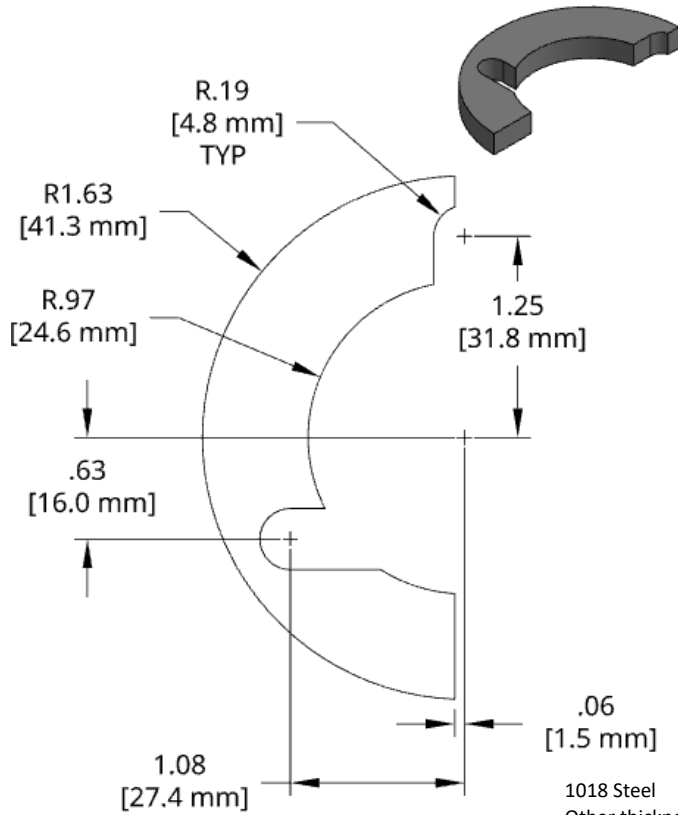
Individual Spacer	Thickness
DSCP079-E250	.25inch

1018 Steel
Other thicknesses available by request.

DSCP080 Series Spacer

<u>Individual Spacer</u>	<u>Thickness</u>
DSCP080-E320	.32inch

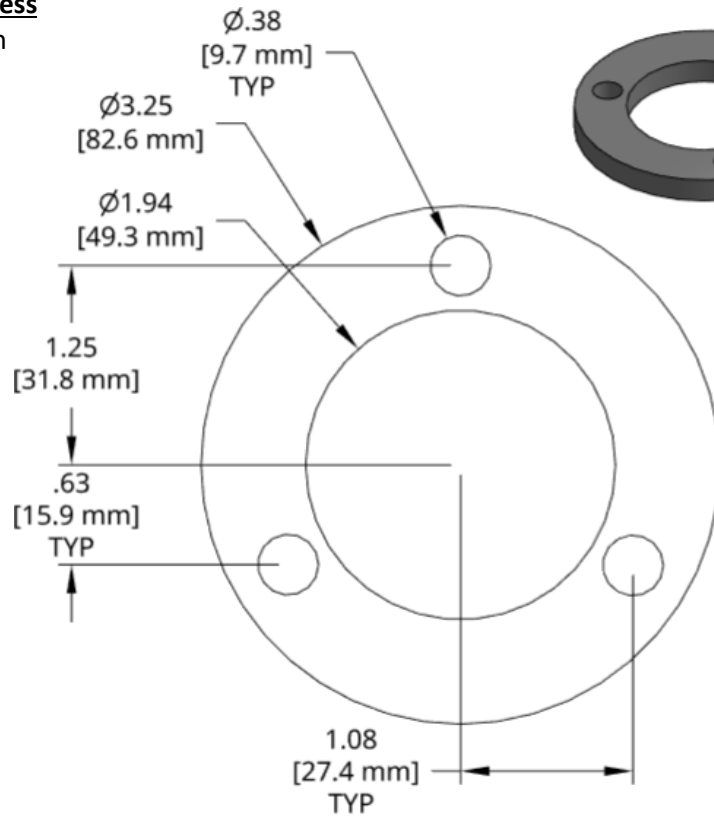
Set consists of two pieces.



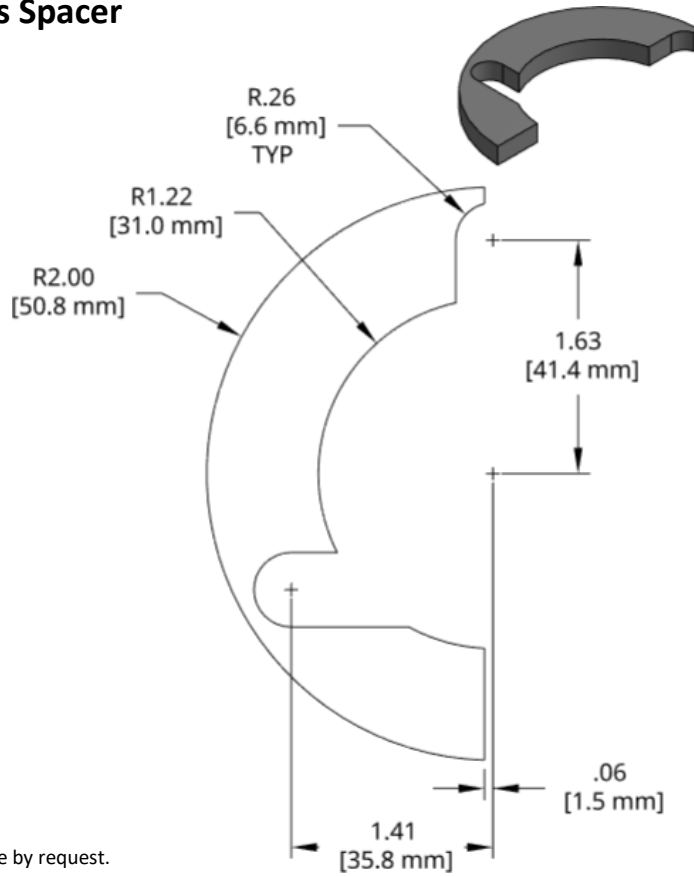
1018 Steel
Other thicknesses available by request.

<u>Individual Spacer</u>	<u>Thickness</u>
DSCP081-E320	.32inch

DSCP081 Series Spacer



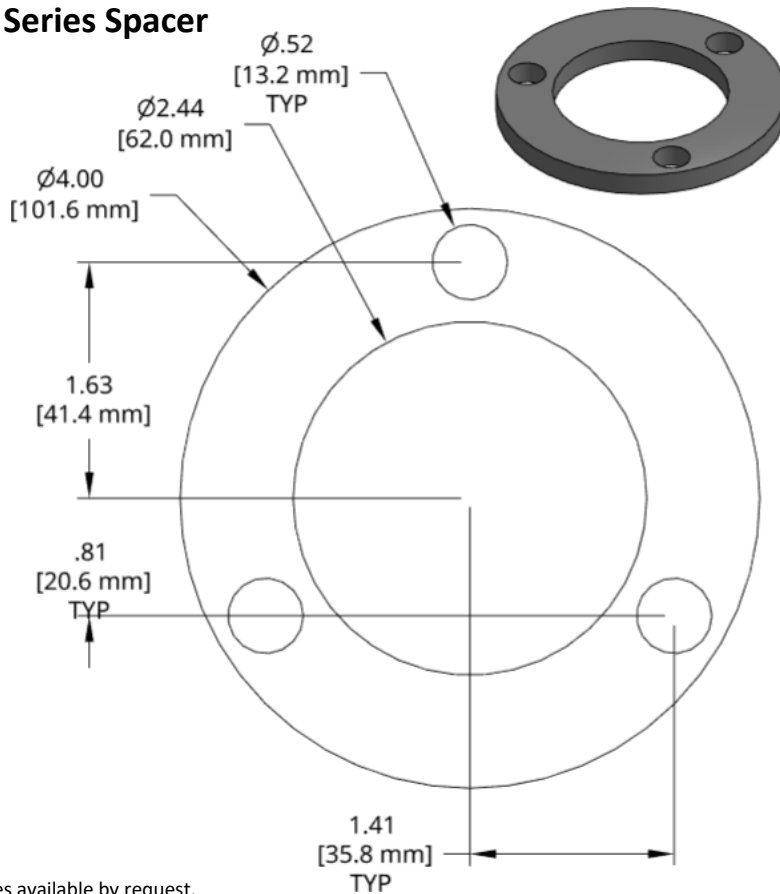
1018 Steel
Other thicknesses available by request.

DSCP082 Series Spacer

1018 Steel
Other thicknesses available by request.

Individual Spacer	Thickness
DSCP082-E320	.32inch

Set consists of two pieces.

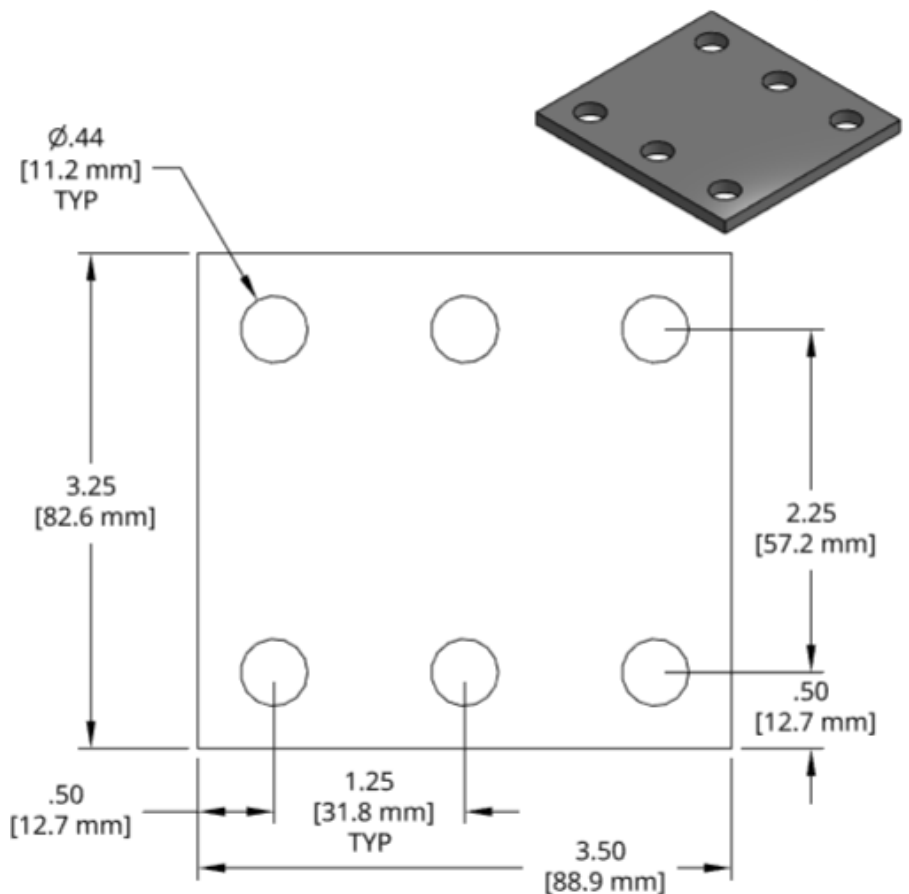
DSCP083 Series Spacer

1018 Steel
Other thicknesses available by request.

Individual Spacer	Thickness
DSCP083-E320	.32inch

<u>Individual Spacer</u>	<u>Thickness</u>
DSCP084-M200	2.00mm
DSCP084-M220	2.20mm
DSCP084-M225	2.25mm
DSCP084-M240	2.40mm
DSCP084-M250	2.50mm
DSCP084-M260	2.60mm
DSCP084-M275	2.75mm
DSCP084-M280	2.80mm
DSCP084-M300	3.00mm
DSCP084-M320	3.20mm
DSCP084-M325	3.25mm
DSCP084-M340	3.40mm
DSCP084-M350	3.50mm
DSCP084-M360	3.60mm
DSCP084-M375	3.75mm
DSCP084-M380	3.80mm
DSCP084-M400	4.00mm
DSCP084-M412	4.12mm
DSCP084-M420	4.20mm
DSCP084-M425	4.25mm
DSCP084-M438	4.38mm

DSCP084 Series Spacer



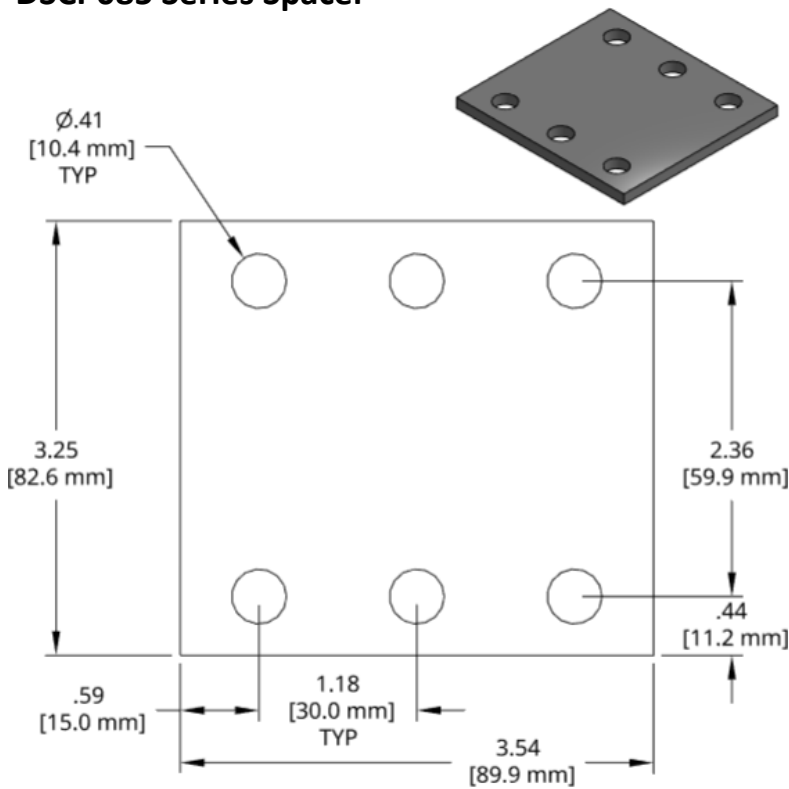
<u>Individual Spacer</u>	<u>Thickness</u>
DSCP084-M440	4.40mm
DSCP084-M450	4.50mm
DSCP084-M460	4.60mm
DSCP084-M462	4.62mm
DSCP084-M475	4.75mm
DSCP084-M480	4.80mm
DSCP084-M488	4.88mm
DSCP084-M500	5.00mm
DSCP084-M512	5.12mm
DSCP084-M520	5.20mm
DSCP084-M525	5.25mm
DSCP084-M538	5.38mm
DSCP084-M540	5.40mm
DSCP084-M550	5.50mm
DSCP084-M560	5.60mm
DSCP084-M562	5.62mm
DSCP084-M575	5.75mm
DSCP084-M580	5.80mm
DSCP084-M588	5.88mm
DSCP084-M600	6.00mm
DSCP084-M612	6.12mm
DSCP084-M620	6.20mm

<u>Individual Spacer</u>	<u>Thickness</u>
DSCP084-M625	6.25mm
DSCP084-M638	6.38mm
DSCP084-M640	6.40mm
DSCP084-M650	6.50mm
DSCP084-M660	6.60mm
DSCP084-M662	6.62mm
DSCP084-M675	6.75mm
DSCP084-M680	6.80mm
DSCP084-M688	6.88mm
DSCP084-M700	7.00mm
DSCP084-M712	7.12mm
DSCP084-M720	7.20mm
DSCP084-M725	7.25mm
DSCP084-M738	7.38mm
DSCP084-M740	7.40mm
DSCP084-M750	7.50mm
DSCP084-M760	7.60mm
DSCP084-M775	7.75mm
DSCP084-M780	7.80mm
DSCP084-M788	7.88mm
DSCP084-M800	8.00mm

1018 Steel, Black Oxide finish over -M200
Other thicknesses available by request.

DSCP085 Series Spacer

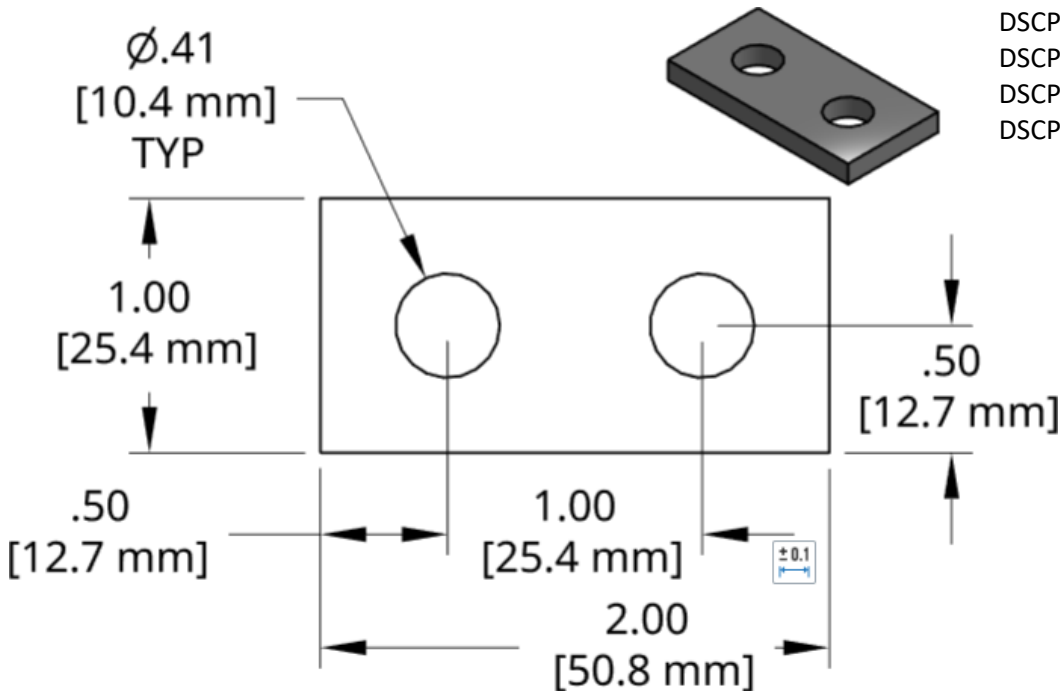
<u>Individual Spacer</u>	<u>Thickness</u>
DSCP085-M300	3.00mm
DSCP085-M320	3.20mm
DSCP085-M340	3.40mm
DSCP085-M360	3.60mm
DSCP085-M380	3.80mm
DSCP085-M400	4.00mm
DSCP085-M420	4.20mm
DSCP085-M440	4.40mm
DSCP085-M460	4.60mm
DSCP085-M480	4.80mm
DSCP085-M500	5.00mm
DSCP085-M520	5.20mm
DSCP085-M540	5.40mm
DSCP085-M560	5.60mm
DSCP085-M580	5.80mm
DSCP085-M600	6.00mm
DSCP085-M620	6.20mm
DSCP085-M640	6.40mm
DSCP085-M660	6.60mm
DSCP085-M680	6.80mm
DSCP085-M700	7.00mm



1018 Steel, Black Oxide finish
Other thicknesses available by request.

DSCP086 Series Spacer

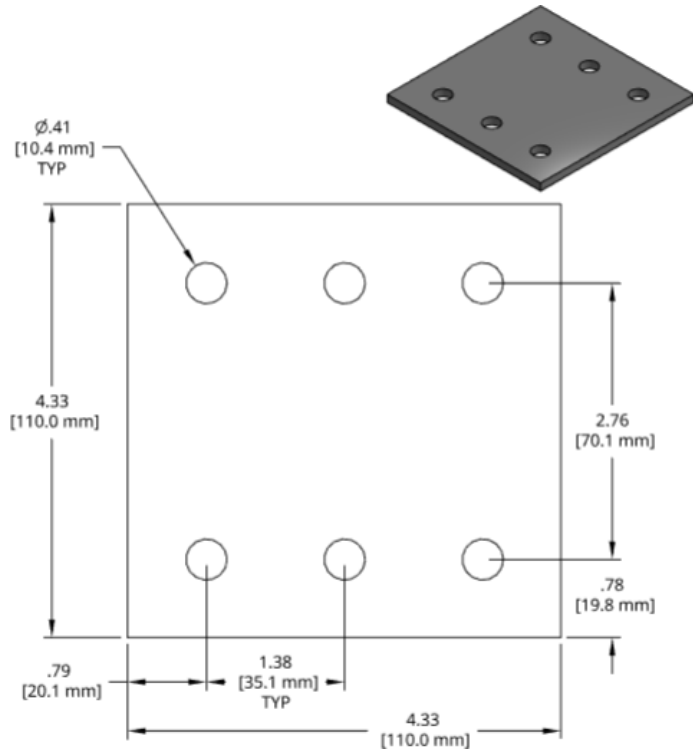
<u>Individual Spacer</u>	<u>Thickness</u>
DSCP086-M300	3.00mm
DSCP086-M400	4.00mm
DSCP086-M500	5.00mm
DSCP086-M600	6.00mm
DSCP086-M700	7.00mm
DSCP086-M800	8.00mm



1018 Steel, Black Oxide finish
Other thicknesses available by request.

<u>Individual Spacer</u>	<u>Thickness</u>
DSCP087-M300	3.00mm
DSCP087-M320	3.20mm
DSCP087-M340	3.40mm
DSCP087-M360	3.60mm
DSCP087-M380	3.80mm
DSCP087-M400	4.00mm
DSCP087-M420	4.20mm
DSCP087-M440	4.40mm
DSCP087-M460	4.60mm
DSCP087-M480	4.80mm
DSCP087-M500	5.00mm
DSCP087-M520	5.20mm
DSCP087-M540	5.40mm
DSCP087-M560	5.60mm
DSCP087-M580	5.80mm
DSCP087-M600	6.00mm
DSCP087-M620	6.20mm
DSCP087-M640	6.40mm
DSCP087-M660	6.60mm
DSCP087-M680	6.80mm
DSCP087-M700	7.00mm

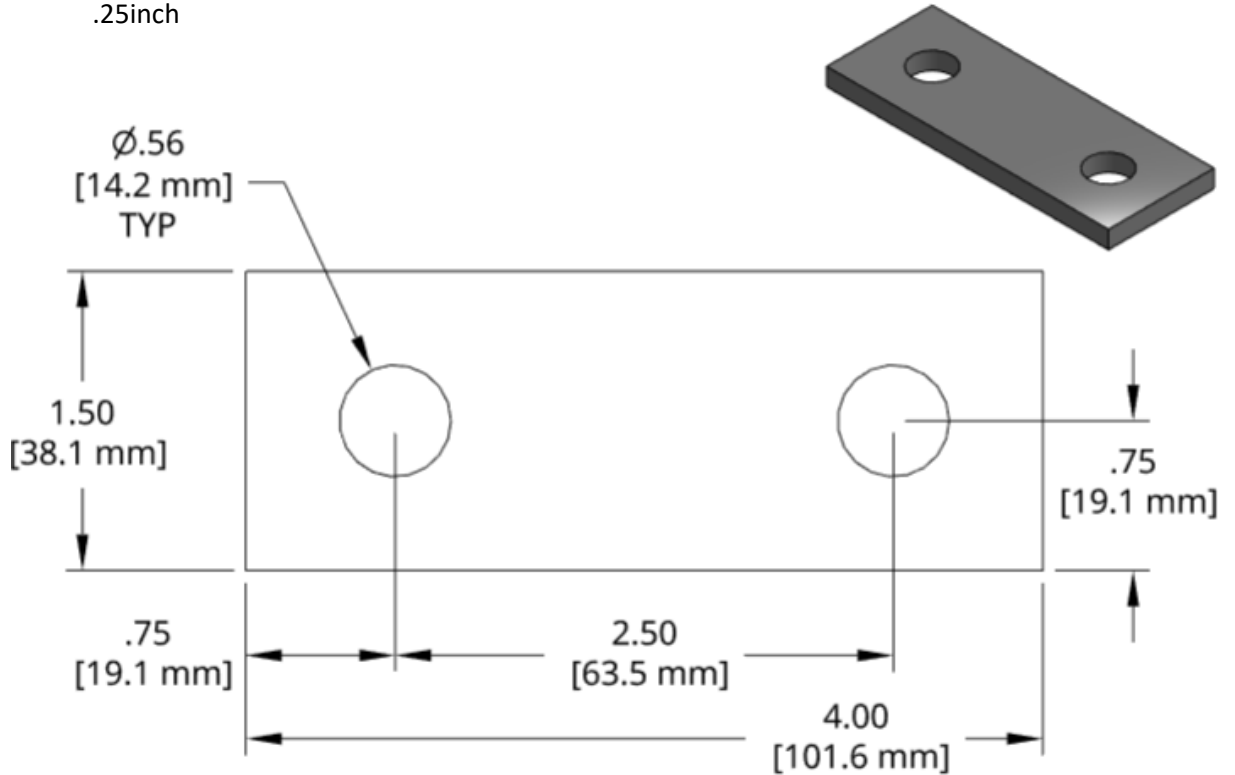
DSCP087 Series Spacer



1018 Steel, Black Oxide finish
Other thicknesses available by request.

<u>Individual Spacer</u>	<u>Thickness</u>
DSCP088-E250	.25inch

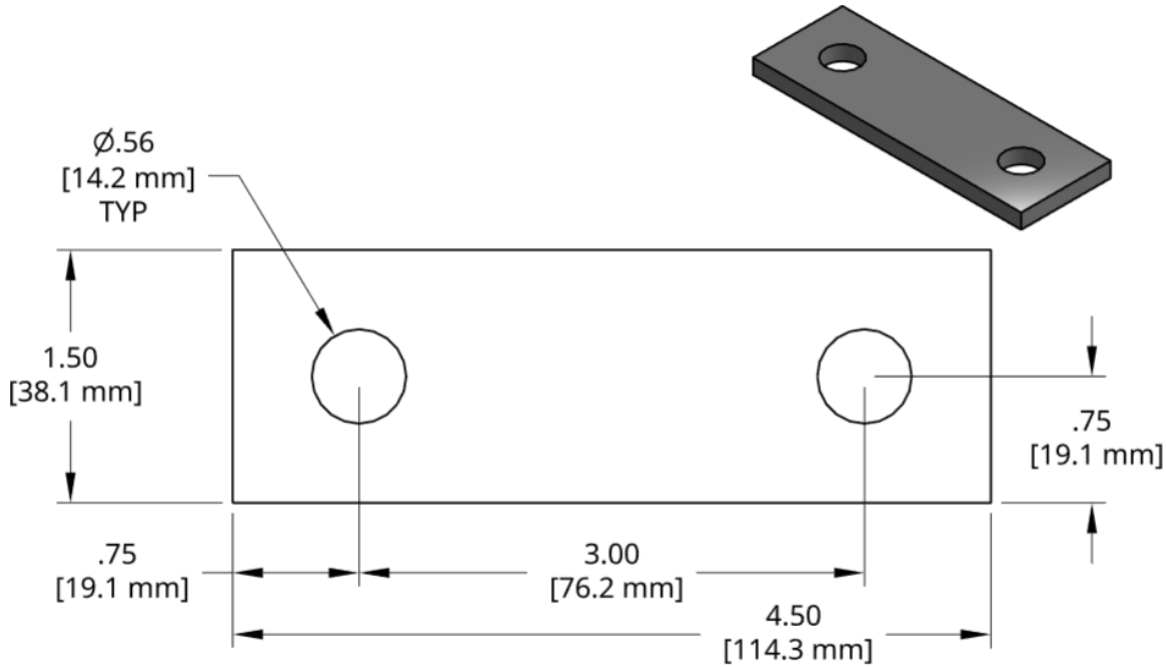
DSCP088 Series Spacer



1018 Steel
Other thicknesses available by request.

DSCP089 Series Spacer

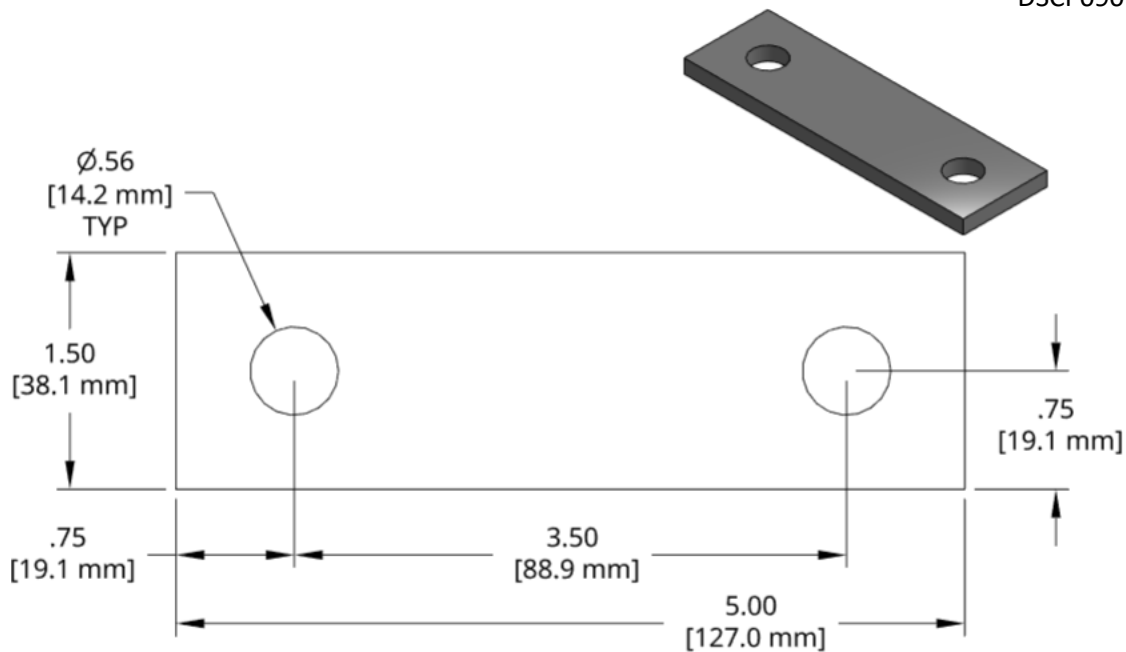
<u>Individual Spacer</u>	<u>Thickness</u>
DSCP089-E250	.25inch



1018 Steel
Other thicknesses available by request.

DSCP090 Series Spacer

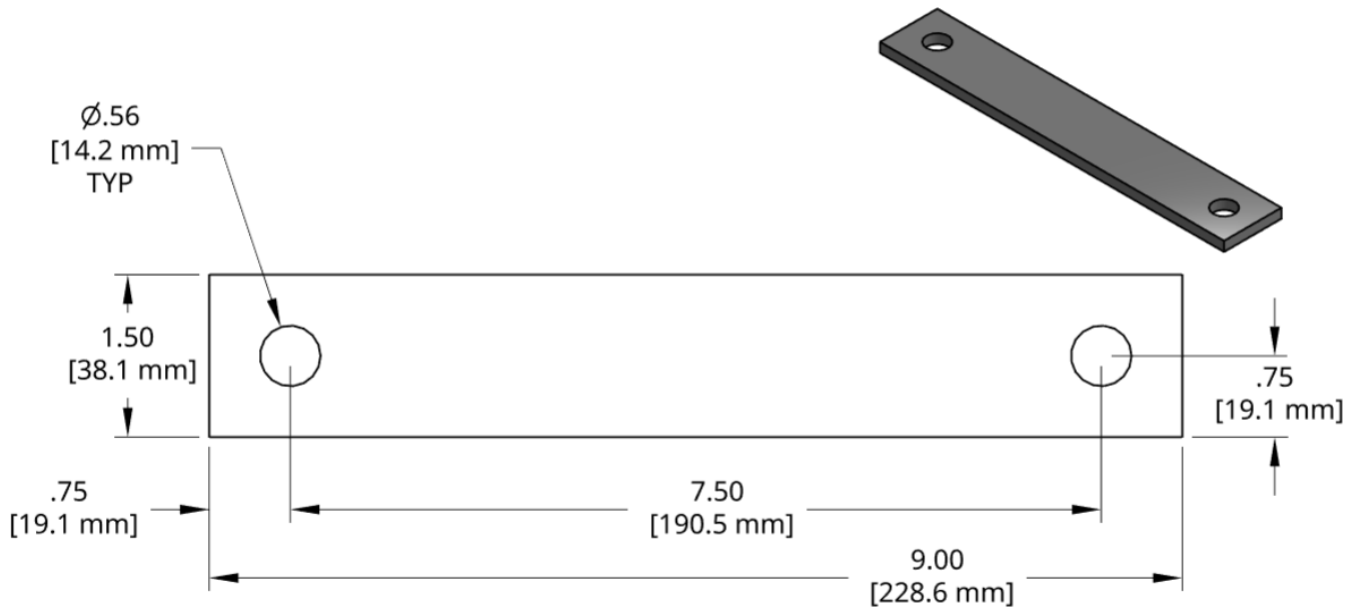
<u>Individual Spacer</u>	<u>Thickness</u>
DSCP090-E250	.25inch



1018 Steel
Other thicknesses available by request.

Individual Spacer	Thickness
DSCP091-E250	.25inch

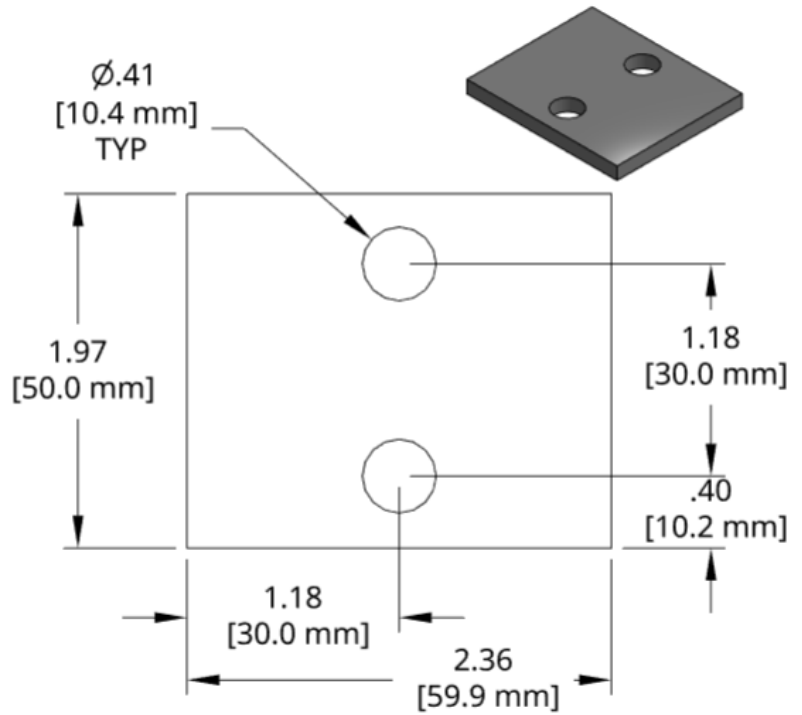
DSCP091 Series Spacer



1018 Steel
Other thicknesses available by request.

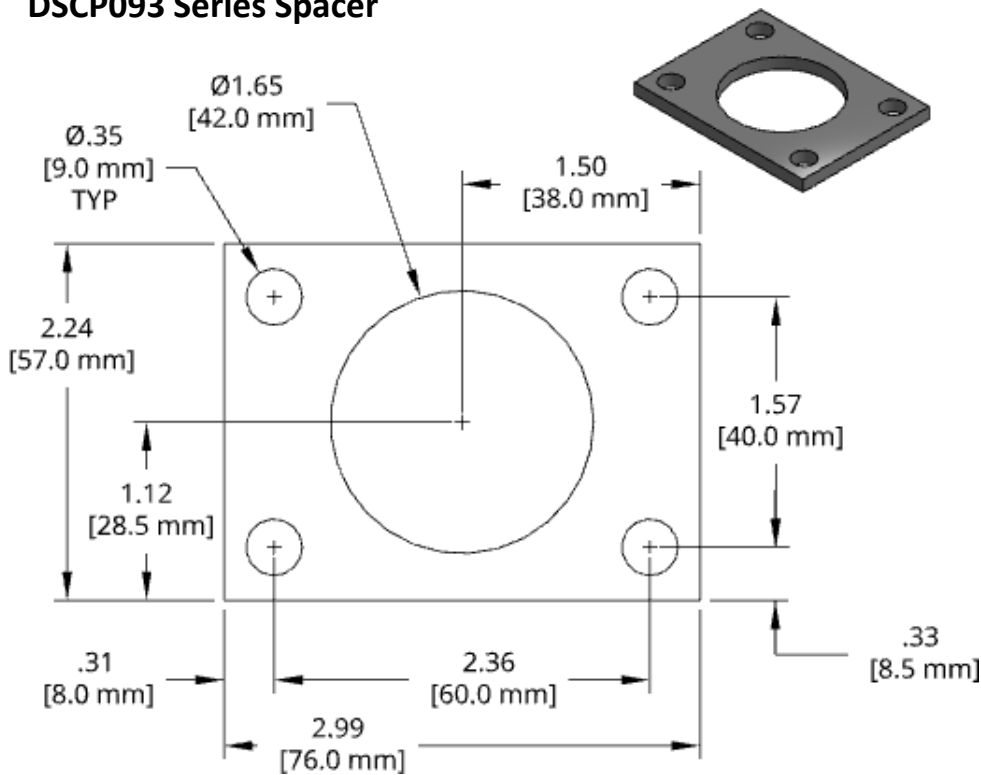
Individual Spacer	Thickness
DSCP092-M025	0.25mm
DSCP092-M050	0.50mm
DSCP092-M100	1.00mm
DSCP092-M200	2.00mm
DSCP092-M300	3.00mm
DSCP092-M320	3.20mm
DSCP092-M340	3.40mm
DSCP092-M360	3.60mm
DSCP092-M380	3.80mm
DSCP092-M400	4.00mm
DSCP092-M420	4.20mm
DSCP092-M440	4.40mm
DSCP092-M460	4.60mm
DSCP092-M480	4.80mm
DSCP092-M500	5.00mm
DSCP092-M520	5.20mm
DSCP092-M540	5.40mm
DSCP092-M560	5.60mm
DSCP092-M580	5.80mm
DSCP092-M600	6.00mm
DSCP092-M620	6.20mm
DSCP092-M640	6.40mm
DSCP092-M660	6.60mm
DSCP092-M680	6.80mm

DSCP092 Series Spacer



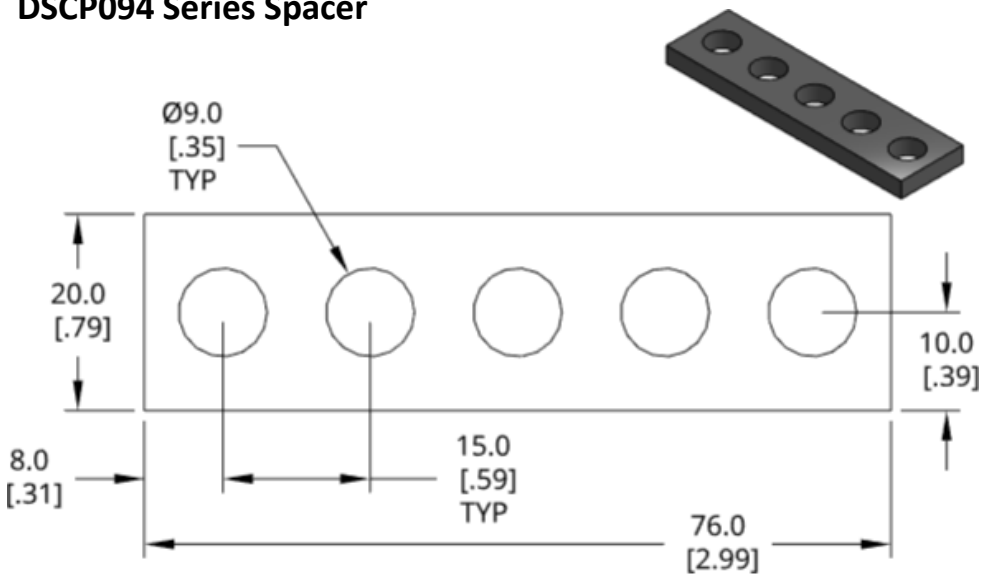
Individual Spacer	Thickness
DSCP092-M700	7.00mm

1018 Steel, Black Oxide finish -M300 and up
Other thicknesses available by request.

DSCP093 Series Spacer

<u>Individual Spacer</u>	<u>Thickness</u>
DSCP093-M300	3.00mm
DSCP093-M320	3.20mm
DSCP093-M340	3.40mm
DSCP093-M360	3.60mm
DSCP093-M380	3.80mm
DSCP093-M400	4.00mm
DSCP093-M420	4.20mm
DSCP093-M440	4.40mm
DSCP093-M460	4.60mm
DSCP093-M480	4.80mm
DSCP093-M500	5.00mm
DSCP093-M520	5.20mm
DSCP093-M540	5.40mm
DSCP093-M560	5.60mm
DSCP093-M580	5.80mm
DSCP093-M600	6.00mm
DSCP093-M620	6.20mm
DSCP093-M640	6.40mm
DSCP093-M660	6.60mm
DSCP093-M680	6.80mm
DSCP093-M700	7.00mm

1018 Steel, Black Oxide finish
Other thicknesses available by request.

DSCP094 Series Spacer

<u>Individual Spacer</u>	<u>Thickness</u>
DSCP094-M025	0.25mm
DSCP094-M050	0.50mm
DSCP094-M100	1.00mm
DSCP094-M200	2.00mm
DSCP094-M300	3.00mm
DSCP094-M320	3.20mm
DSCP094-M340	3.40mm

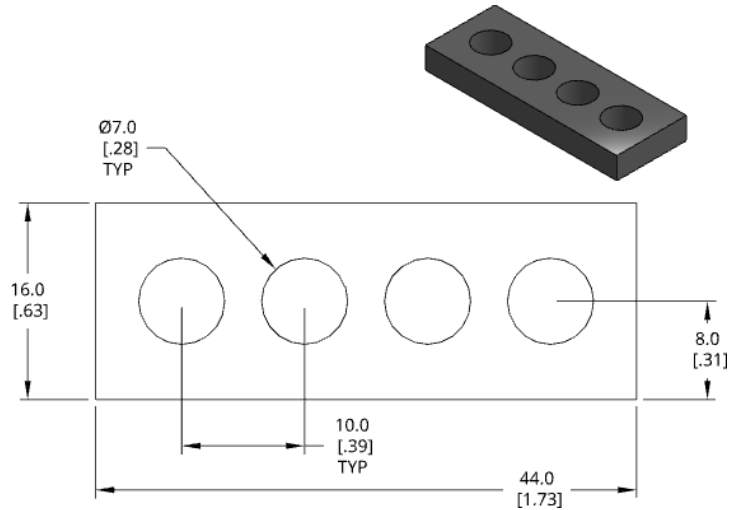
<u>Individual Spacer</u>	<u>Thickness</u>
DSCP094-M360	3.60mm
DSCP094-M380	3.80mm
DSCP094-M400	4.00mm
DSCP094-M420	4.20mm
DSCP094-M440	4.40mm
DSCP094-M460	4.60mm
DSCP094-M480	4.80mm
DSCP094-M500	5.00mm
DSCP094-M520	5.20mm
DSCP094-M540	5.40mm
DSCP094-M560	5.60mm
DSCP094-M580	5.80mm
DSCP094-M600	6.00mm
DSCP094-M620	6.20mm
DSCP094-M640	6.40mm
DSCP094-M660	6.60mm
DSCP094-M680	6.80mm
DSCP094-M700	7.00mm

1018 Steel, Black Oxide finish –M300 and up
Other thicknesses available by request.

DSCP095 Series Spacer

<u>Individual Spacer</u>	<u>Thickness</u>
DSCP095-M025	0.25mm
DSCP095-M050	0.50mm
DSCP095-M100	1.00mm
DSCP095-M200	2.00mm
DSCP095-M300	3.00mm
DSCP095-M320	3.20mm
DSCP095-M340	3.40mm
DSCP095-M360	3.60mm
DSCP095-M380	3.80mm
DSCP095-M400	4.00mm
DSCP095-M420	4.20mm
DSCP095-M440	4.40mm
DSCP095-M460	4.60mm
DSCP095-M480	4.80mm
DSCP095-M500	5.00mm
DSCP095-M520	5.20mm
DSCP095-M540	5.40mm
DSCP095-M560	5.60mm
DSCP095-M580	5.80mm

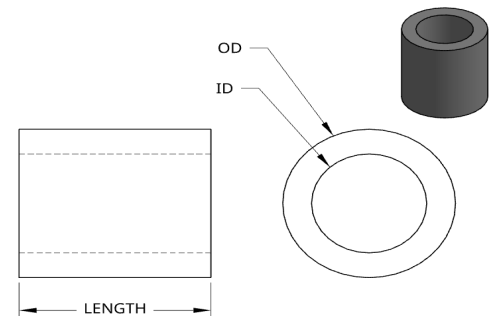
<u>Individual Spacer</u>	<u>Thickness</u>
DSCP095-M600	6.00mm
DSCP095-M620	6.20mm
DSCP095-M640	6.40mm
DSCP095-M660	6.60mm
DSCP095-M680	6.80mm
DSCP095-M700	7.00mm



<u>Stock Code</u>	<u>I.D.</u>	<u>O.D.</u>
DSCB001-MXXX	6.0	9.0
DSCB002-MXXX	8.0	11.0
DSCB003-MXXX	10.0	13.0
DSCB004-MXXX	12.0	15.0
DSCB005-MXXX	14.0	17.0
DSCB006-MXXX	10.0	12.0

DSCB Series Insulating Bushings

These bushings are made from phenolic tubing, where the XXX designates the length in millimeters. We also sell lengths of phenolic tubing.



DSC and NAAMS STANDARD COMPONENTS

Douglas Stamping Company supplies top quality shims, spacers, washers and the full range of NAAMS assembly components for Factory Automation. DSC quality components are recognized worldwide.

LASER CUTTING AND ETCHING

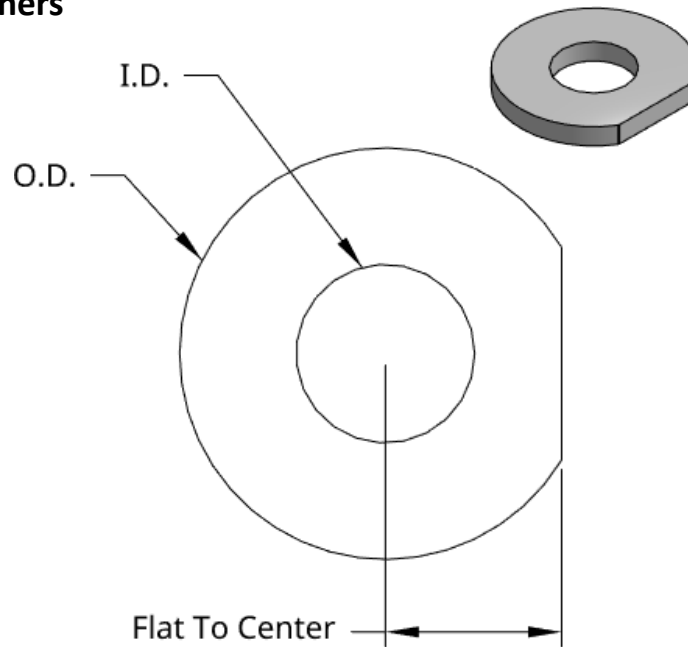
Douglas Stamping Company can laser cut and mark to your specifications. Whether you require a standard shim or spacer in a non-standard thickness or need a component cut to your drawing or print, we are equipped to meet your requirements.

STAMPING

Douglas Stamping Company began as a stamping business in 1947. While our capabilities and product lines have grown and changed over the decades, we maintain our expertise in traditional stamping processes for customer production runs and our product lines.

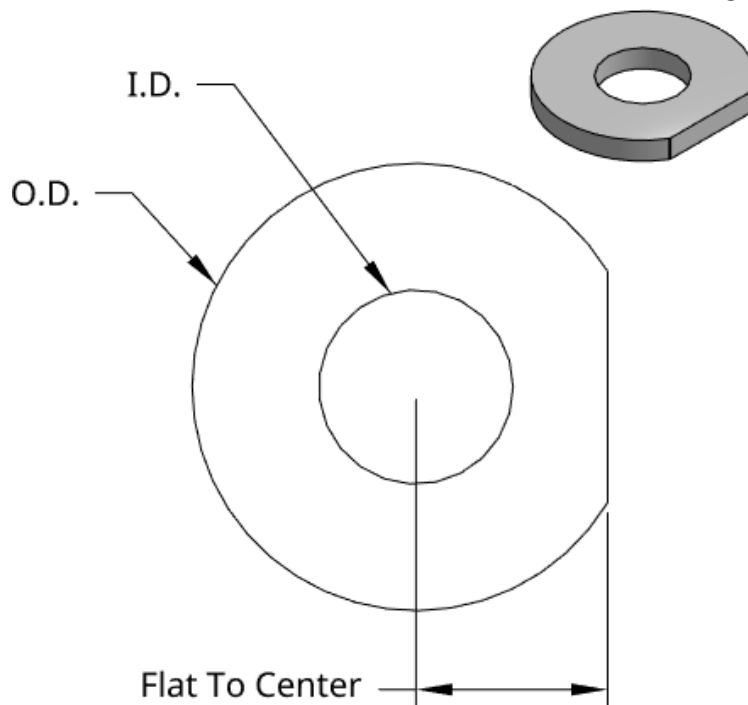
BENDING

Douglas Stamping Company can bend and hem to your specifications using the latest in bending brake technology

DSCD Series Weld Washers

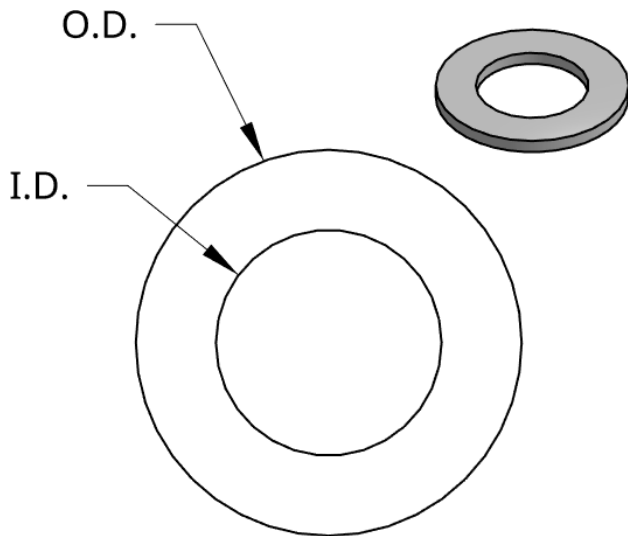
Stock Code	I.D.	O.D.	Flat to Center	Thickness	Material
DSCD001-E125	0.25inch	0.75inch	0.25inch	0.13inch	Steel
DSCD001-E125SS	0.25inch	0.75inch	0.25inch	0.13inch	Stainless
DSCD002-E125	0.31inch	0.88inch	0.31inch	0.13inch	Steel
DSCD003-E250	0.38inch	1.00inch	0.38inch	0.25inch	Steel
DSCD004-E140	0.38inch	1.00inch	0.38inch	0.14inch	Steel
DSCD004-E140SS	0.38inch	1.00inch	0.38inch	0.14inch	Stainless
DSCD005-E140	0.38inch	1.00inch	0.38inch	0.14inch	Steel
DSCD006-E140SS	0.38inch	1.00inch	0.38inch	0.14inch	Stainless
DSCD007-E190	0.50inch	1.25inch	0.38inch	0.19inch	Steel
DSCD007-E190SS	0.50inch	1.25inch	0.38inch	0.19inch	Stainless
DSCD008-E190	0.50inch	1.25inch	0.38inch	0.19inch	Steel
DSCD009-E190SS	0.50inch	1.25inch	0.50inch	0.19inch	Stainless
DSCD010-E140	0.50inch	1.25inch	0.50inch	0.19inch	Steel/Zinc
DSCD011-E140	0.50inch	1.25inch	0.50inch	0.25inch	Steel
DSCD018-E310	0.50inch	1.38inch	0.50inch	0.31inch	Steel
DSCD012-E190	0.63inch	1.38inch	0.50inch	0.19inch	Steel
DSCD013-E250	0.63inch	1.50inch	0.50inch	0.25inch	Steel
DSCD014-E250	0.75inch	1.50inch	0.56inch	0.25inch	Steel
DSCD015-E250	0.75inch	1.50inch	0.63inch	0.25inch	Steel
DSCD016-E140	0.88inch	1.75inch	0.63inch	0.25inch	Steel
DSCD017-E310	1.00inch	2.00inch	0.69inch	0.31inch	Steel
DSCD101-M300HT	6.4mm	19.0mm	6.4mm	3.2mm	1050 37-42RC
DSCD101-M500	6.4mm	19.0mm	6.4mm	5.0mm	Steel
DSCD102-M300	6.4mm	19.0mm	6.4mm	3.0mm	Phenolic
DSCD103-M300	8.1mm	22.4mm	8.0mm	3.0mm	Steel
DSCD103-M300HT	8.1mm	22.4mm	8.0mm	3.2mm	1050 37-42RC
DSCD103-M300SS	8.1mm	22.4mm	8.0mm	3.0mm	Stainless
DSCD103-M480	8.1mm	22.4mm	8.0mm	4.8mm	Steel
DSCD103-M640	8.1mm	22.4mm	8.0mm	6.4mm	Steel

DSCD Series Weld Washers



Stock Code	I.D.	O.D.	Flat to Center	Thickness	Material
DSCD104-M300	8.1mm	22.4mm	8.0mm	3.0mm	Phenolic
DSCD105-M300	10.1mm	25.4mm	10.0mm	3.0mm	Steel
DSCD105-M300HT	10.1mm	25.4mm	10.0mm	3.2mm	1050 37-42RC
DSCD105-M480	10.1mm	25.4mm	10.0mm	4.8mm	Steel
DSCD105-M640	10.1mm	25.4mm	10.0mm	6.4mm	Steel
DSCD106-M300	10.1mm	25.4mm	10.0mm	3.0mm	Phenolic
DSCD107-M300HT	12.1mm	31.8mm	12.0mm	3.2mm	1050 37-42RC
DSCD107-M400	12.1mm	31.8mm	12.0mm	4.0mm	Steel
DSCD107-M400SS	12.1mm	31.8mm	12.0mm	4.0mm	Stainless
DSCD107-M640	12.1mm	31.8mm	12.0mm	6.4mm	Steel
DSCD108-M400	12.1mm	31.8mm	12.0mm	4.0mm	Phenolic
DSCD109-M300HT	16.7mm	38.1mm	15.0mm	3.2mm	1050 37-42RC
DSCD109-M480	16.7mm	38.1mm	15.0mm	4.8mm	Steel
DSCD109-M640	16.7mm	38.1mm	15.0mm	6.4mm	Steel
DSCD110-M634	20.3mm	44.5mm	19.0mm	6.4mm	Steel
DSCD111-M300	14.7mm	34.8mm	12.9mm	3.0mm	Phenolic
DSCD111-M480	14.7mm	34.8mm	12.9mm	4.8mm	Steel
DSCD112-M100	3.0mm	7.5mm	2.63mm	1.0mm	Steel
DSCD113-M150	4.0mm	10.0mm	3.5mm	1.5mm	Steel/Zinc
DSCD114-M150	5.3mm	12.7mm	4.85mm	1.5mm	Steel/Zinc
DSCD114-M150SS	5.3mm	12.7mm	4.85mm	1.5mm	Stainless
DSCD115-M190	18.3mm	22.0mm	18.0mm	4.8mm	Steel
DSCD116-M250	24.3mm	28.0mm	24.0mm	6.4mm	Steel

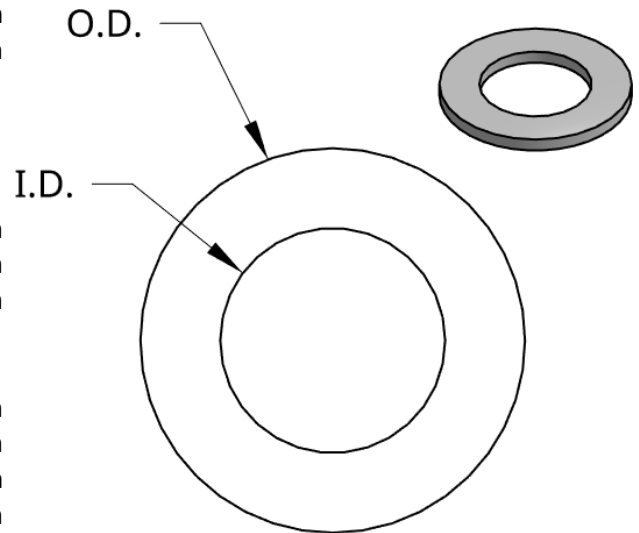
DSCW Series Steel Washers



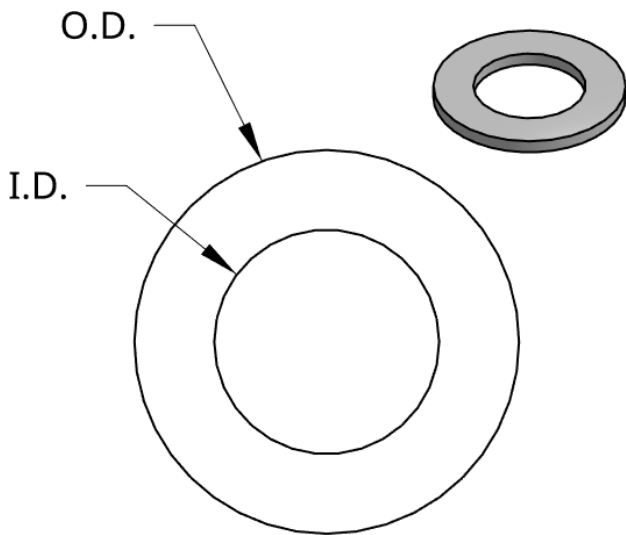
Stock Code	I.D.	O.D.	Thickness
DSCW001-E060	0.21inch	0.50inch	0.06inch
DSCW002-E100	0.21inch	0.62inch	0.10inch
DSCW003-E130	0.38inch	1.00inch	0.13inch
DSCW004-E130	0.38inch	1.00inch	0.13inch
DSCW005-E190	0.39inch	0.75inch	0.19inch
DSCW006-E100	0.41inch	0.75inch	0.10inch
DSCW007-E100	0.41inch	0.81inch	0.10inch
DSCW008-E130	0.42inch	1.24inch	0.13inch
DSCW009-E130	0.44inch	1.75inch	0.13inch
DSCW010-E190	0.47inch	1.92inch	0.19inch
DSCW011-E002	0.50inch	0.88inch	0.002inch
DSCW012-E005	0.50inch	0.88inch	0.005inch
DSCW013-E032	0.50inch	0.88inch	0.032inch
DSCW014-E010	0.50inch	0.88inch	0.010inch
DSCW015-E003	0.50inch	0.88inch	0.003inch
DSCW016-E015	0.50inch	0.88inch	0.015inch
DSCW017-E380	0.50inch	1.25inch	0.38inch
DSCW019-E380	0.50inch	2.13inch	0.38inch
DSCW020-E190	0.51inch	1.38inch	0.19inch
DSCW021-E100	0.53inch	0.88inch	0.10inch
DSCW022-E130	0.53inch	1.00inch	0.13inch
DSCW023-E190	0.53inch	1.25inch	0.19inch
DSCW024-E380	0.53inch	1.50inch	0.38inch
DSCW025-E060	0.54inch	0.81inch	0.06inch
DSCW026-E160	0.54inch	1.18inch	0.16inch
DSCW027-E160	0.54inch	1.18inch	0.16inch
DSCW028-E160	0.54inch	1.18inch	0.16inch
DSCW029-E160	0.54inch	1.50inch	0.13inch
DSCW030-E160	0.54inch	2.00inch	0.13inch
DSCW031-E130	0.55inch	0.81inch	0.12inch
DSCW032-E130	0.55inch	1.06inch	0.50inch
DSCW033-E200	0.55inch	1.06inch	0.20inch
DSCW034-E500	0.56inch	1.75inch	0.06inch
DSCW035-E130	0.56inch	1.25inch	0.13inch
DSCW035-E200	0.56inch	1.25inch	0.20inch
DSCW036-E060	0.65inch	1.50inch	0.09inch
DSCW037-E250	0.65inch	1.50inch	0.25inch
DSCW038-E090	0.65inch	1.62inch	0.09inch
DSCW039-E090	0.65inch	1.75inch	0.09inch
DSCW040-E090	0.65inch	2.50inch	0.09inch
DSCW041-E090	0.65inch	1.97inch	0.09inch
DSCW042-E130	0.66inch	1.25inch	0.13inch
DSCW043-E120	0.66inch	2.00inch	0.12inch
DSCW044-E120	0.66inch	2.25inch	0.12inch
DSCW045-E200	0.67inch	1.25inch	0.20inch
DSCW046-E120	0.76inch	1.50inch	0.12inch
DSCW047-E130	0.78inch	1.25inch	0.13inch

DSCW Series Steel Washers

Stock Code	I.D.	O.D.	Thickness
DSCW048-E190	0.78inch	1.50inch	0.19inch
DSCW049-E015	0.81inch	1.00inch	0.015inch
DSCW049-E032	0.81inch	1.00inch	0.032inch
DSCW049-E150	0.81inch	1.00inch	0.15inch
DSCW050-E190	0.81inch	1.00inch	0.19inch
DSCW050-E320	0.81inch	1.00inch	0.32inch
DSCW051-E010	0.81inch	1.00inch	0.01inch
DSCW052-E002	0.81inch	1.00inch	0.002inch
DSCW053-E003	0.81inch	1.00inch	0.003inch
DSCW054-E005	0.81inch	1.00inch	0.005inch
DSCW055-E130	0.88inch	1.38inch	0.13inch
DSCW056-E210	0.90inch	1.50inch	0.21inch
DSCW057-E002	0.94inch	1.38inch	0.002inch
DSCW058-E015	0.94inch	1.38inch	0.015inch
DSCW059-E003	0.94inch	1.38inch	0.003inch
DSCW060-E032	0.94inch	1.38inch	0.032inch
DSCW061-E005	0.94inch	1.38inch	0.005inch
DSCW062-E010	0.94inch	1.25inch	0.01inch
DSCW063-E010	1.00inch	1.25inch	0.01inch
DSCW064-E015	1.00inch	1.25inch	0.015inch
DSCW065-E032	1.00inch	1.25inch	0.032inch
DSCW065-E190	1.00inch	1.25inch	0.19inch
DSCW066-E005	1.00inch	1.25inch	0.005inch
DSCW067-E003	1.00inch	1.25inch	0.003inch
DSCW068-E002	1.00inch	1.25inch	0.002inch
DSCW069-E120	1.00inch	1.71inch	0.12inch
DSCW070-E060	1.01inch	1.75inch	0.06inch
DSCW071-E150	1.02inch	1.38inch	0.15inch
DSCW072-E150	1.02inch	1.38inch	0.15inch
DSCW073-E190	1.03inch	1.88inch	0.19inch
DSCW074-E130	1.03inch	2.00inch	0.13inch
DSCW075-E190	1.03inch	2.00inch	0.19inch
DSCW076-E120	1.06inch	1.50inch	0.12inch
DSCW077-E250	1.06inch	2.50inch	0.25inch
DSCW078-E040	1.21inch	1.75inch	0.04inch
DSCW079-E005	1.24inch	1.62inch	0.005inch
DSCW080-E010	1.24inch	1.62inch	0.01inch
DSCW081-E003	1.24inch	1.62inch	0.003inch
DSCW082-E002	1.24inch	1.62inch	0.002inch
DSCW083-E015	1.24inch	1.62inch	0.015inch
DSCW084-E032	1.24inch	1.62inch	0.032inch
DSCW085-E032	1.25inch	1.50inch	0.032inch
DSCW086-E015	1.25inch	1.50inch	0.015inch
DSCW087-E003	1.25inch	1.50inch	0.003inch
DSCW088-E005	1.25inch	1.50inch	0.005inch
DSCW089-E010	1.25inch	1.50inch	0.01inch
DSCW090-E002	1.25inch	1.50inch	0.002inch
DSCW091-E060	1.25inch	1.75inch	0.06inch
DSCW092-E120	1.25inch	1.75inch	0.12inch

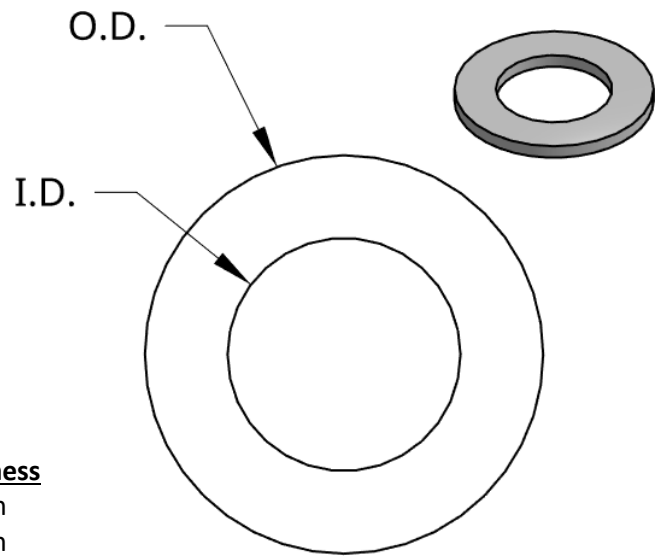


DSCW Series Steel Washers



Stock Code	I.D.	O.D.	Thickness
DSCW093-E120	1.25inch	1.75inch	0.12inch
DSCW094-E120	1.28inch	2.00inch	0.12inch
DSCW095-E190	1.28inch	2.25inch	0.19inch
DSCW096-E120	1.31inch	2.00inch	0.12inch
DSCW097-E040	1.38inch	2.25inch	.040 inch
DSCW097-E120	1.38inch	2.25inch	0.12inch
DSCW098-E040	1.40inch	1.75inch	0.04inch
DSCW099-E003	1.50inch	1.82inch	0.003inch
DSCW100-E032	1.50inch	1.82inch	0.032inch
DSCW101-E005	1.50inch	1.82inch	0.005inch
DSCW102-E010	1.50inch	1.82inch	0.01inch
DSCW103-E002	1.50inch	1.82inch	0.002inch
DSCW104-E015	1.50inch	1.82inch	0.015inch
DSCW105-E032	1.50inch	1.94inch	0.032inch
DSCW106-E005	1.50inch	1.94inch	0.005inch
DSCW107-E015	1.50inch	1.94inch	0.015inch
DSCW108-E002	1.50inch	1.94inch	0.002inch
DSCW109-E003	1.50inch	1.94inch	0.003inch
DSCW110-E010	1.50inch	1.94inch	0.01inch
DSCW111-E120	1.54inch	2.25inch	0.12inch
DSCW112-E002	1.56inch	1.81inch	0.002inch
DSCW113-E032	1.56inch	1.81inch	0.032inch
DSCW114-E005	1.56inch	1.81inch	0.005inch
DSCW115-E015	1.56inch	1.81inch	0.015inch
DSCW116-E150	1.56inch	1.81inch	0.003inch
DSCW117-E010	1.56inch	1.81inch	0.01inch
DSCW118-E120	1.62inch	2.25inch	0.12inch
DSCW119-E120	1.62inch	2.75inch	0.12inch
DSCW120-E060	1.66inch	2.38inch	0.06inch
DSCW121-E120	1.66inch	2.75inch	0.12inch
DSCW122-E002	1.75inch	1.94inch	0.002inch
DSCW123-E010	1.75inch	1.94inch	0.01inch
DSCW124-E005	1.75inch	1.94inch	0.005inch
DSCW125-E003	1.75inch	1.94inch	0.003inch
DSCW126-E032	1.75inch	1.94inch	0.032inch
DSCW127-E015	1.75inch	1.94inch	0.015inch
DSCW128-E120	1.94inch	2.25inch	0.12inch
DSCW129-E120	1.94inch	2.50inch	0.12inch
DSCW130-E120	1.94inch	2.50inch	0.12inch
DSCW131-E120	1.94inch	2.75inch	0.12inch
DSCW132-E120	1.97inch	3.00inch	0.12inch
DSCW133-E002	3.25inch	3.94inch	0.002inch
DSCW134-E010	3.25inch	3.94inch	0.01inch
DSCW135-E003	3.25inch	3.94inch	0.003inch
DSCW136-E032	3.25inch	3.94inch	0.032inch
DSCW137-E005	3.25inch	3.94inch	0.005inch
DSCW138-E015	3.25inch	3.94inch	0.015inch

DSCW Series 300 Metric Steel Washers



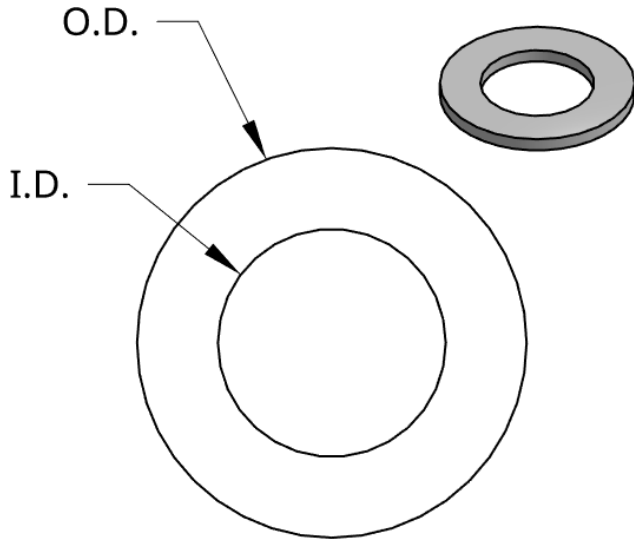
Stock Code	I.D.	O.D.	Thickness
DSCW301-E060	5.6mm	14.8mm	1.4mm
DSCW302-E100	6.7mm	18.6mm	1.4mm
DSCW303-E130	9.0mm	24.9mm	1.9mm
DSCW304-E130	11.0mm	27.7mm	2.4mm
DSCW305-E190	13.4mm	33.7mm	3.0mm
DSCW306-E100	17.3mm	43.7mm	3.5mm
DSCW307-E100	22.0mm	49.7mm	4.0mm
DSCW308-E130	25.8mm	55.4mm	4.5mm
DSCW309-E130	32.7mm	70.4mm	5.0mm
DSCW310-E060	38.6mm	89.3mm	1.5mm
DSCW310-E190	38.6mm	89.3mm	5.7mm

DSCW700 Series Metric Steel Washers

Stock Code	I.D.	O.D.	Thickness	Material/HT
DSCW701-E060	7.0	13.2	3.4	Steel, Rc 38-45
DSCW702-E130	9.0	17.7	3.4	Steel, Rc 38-45
DSCW703-E130	10.2	25.0	4.5	Steel, Rc 38-45*
DSCW704-E090	11.0	22.4	3.4	Steel, Rc 38-45
DSCW705-E130	14.0	26.4	3.9	Steel, ASTM F436M
DSCW706-E090	18.0	33.2	3.9	Steel, ASTM F436M
DSCW707-E130	22.0	41.20	3.9	Steel, ASTM F436M
DSCW708-E090	24.0	43.2	4.0	Steel, ASTM F436M
DSCW709-E090	26.0	49.2	4.0	Steel, ASTM F436M
DSCW710-E120	30.0	55.2	4.0	Steel, ASTM F436M
DSCW711-E015	33.0	59.2	4.0	Steel, ASTM F436M
DSCW712-E120	39.0	71.2	4.0	Steel, ASTM F436M

*1020HRS, carb & harden 1.0 deep 48-45 Rc

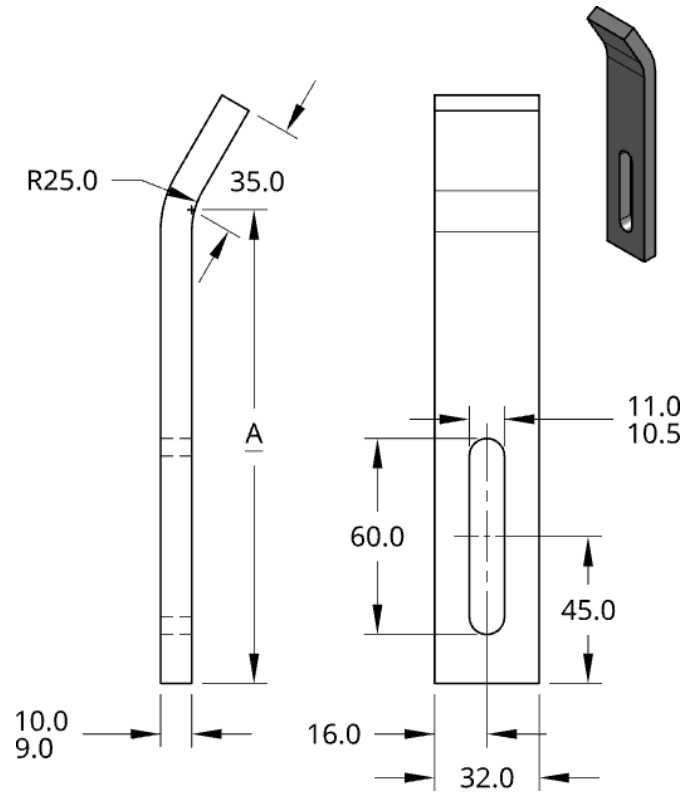
DSCW500 and DSCW600 Series Insulating Washers



Stock Code	I.D.	O.D.	Thickness	Material
DSCW501-E060	0.38inch	1.00inch	0.06inch	Phenolic
DSCW502-E130	0.42inch	1.00inch	0.13inch	Phenolic
DSCW503-E125	0.51inch	1.25inch	0.13inch	Nylon
DSCW504-E130	0.53inch	1.25inch	0.13inch	Phenolic
DSCW505-E090	0.65inch	1.25inch	0.09inch	Phenolic
DSCW506-E130	0.65inch	1.25inch	0.13inch	Phenolic
DSCW507-E090	0.78inch	1.38inch	0.09inch	Nylon
DSCW508-E130	0.89inch	1.50inch	0.13inch	Nylon
DSCW509-E090	0.90inch	1.63inch	0.09inch	Phenolic
DSCW510-E090	1.28inch	2.38inch	0.09inch	Urethane
DSCW511-E120	1.38inch	2.12inch	0.012inch	Urethane
DSCW512-E015	1.38inch	2.31inch	0.015inch	Urethane
DSCW513-E120	1.40inch	4.75inch	0.12inch	Nylon
DSCW514-E060	1.50inch	2.13inch	0.06inch	Phenolic
DSCW515-E019	1.62inch	2.12inch	0.019inch	Urethane
DSCW516-E021	1.88inch	2.87inch	0.021inch	Urethane
DSCW517-E028	2.25inch	3.37inch	0.028inch	Urethane
DSCW518-E031	2.50inch	3.62inch	0.032inch	Urethane
DSCW519-E036	3.00inch	4.12inch	0.036inch	Urethane
DSCW520-E041	3.50inch	4.62inch	0.041inch	Urethane
DSCW521-E046	4.00inch	5.12inch	0.046inch	Urethane
DSCW601-M300	7.0mm	20.0mm	3.0mm	Phenolic
DSCW602-M300	8.0mm	24.0mm	3.0mm	Phenolic
DSCW603-M300	10.0mm	29.0mm	3.0mm	Phenolic
DSCW604-M300	13.0mm	35.0mm	3.0mm	Phenolic

DSCRL145-320 Rough Locators

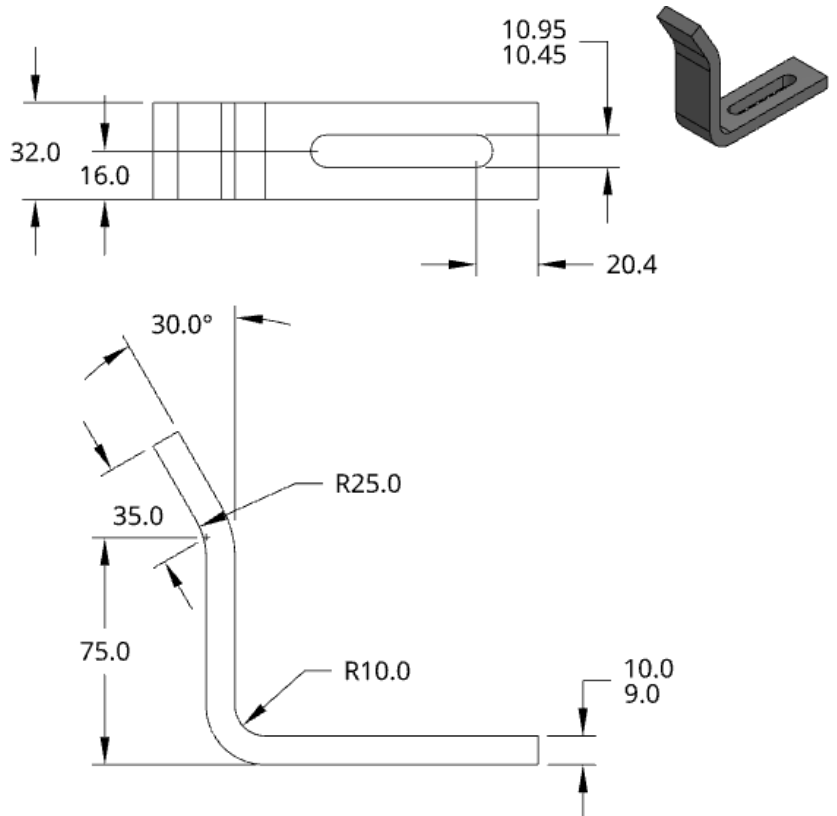
Stock Code	A Dim	Appr. Wt
DSCRL145	145.0mm	0.38kg
DSCRL170	170.0mm	0.44kg
DSCRL195	195.0mm	0.49kg
DSCRL220	220.0mm	0.55kg
DSCRL245	245.0mm	0.61kg
DSCRL270	270.0mm	0.67kg
DSCRL298	295.0mm	0.73kg
DSCRL320	320.0mm	0.79kg



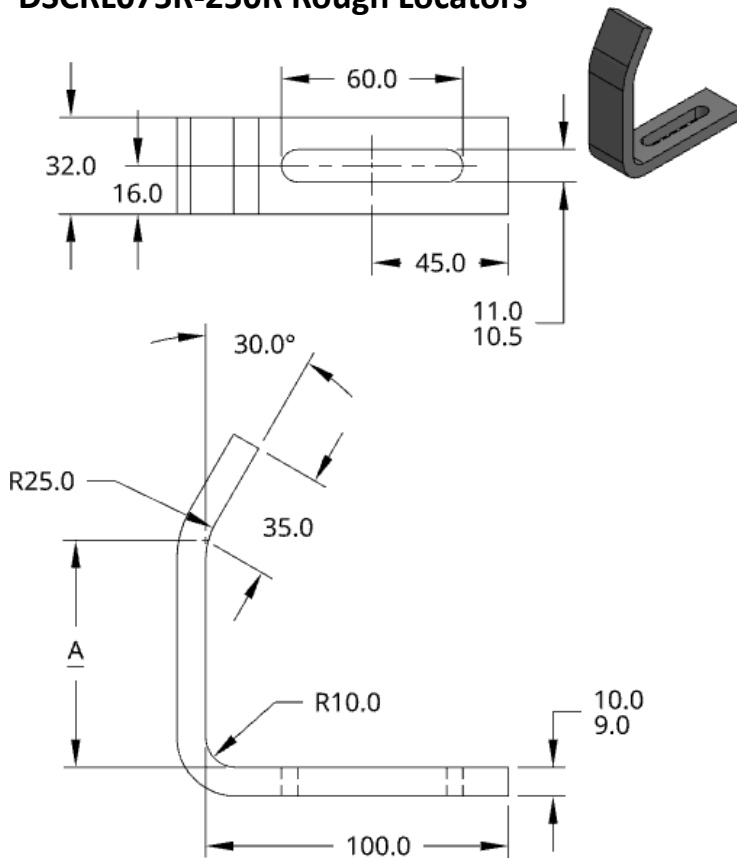
1010-1020 Steel, Black Oxide finish
 Suffix 'H' for carburize and harden 58-62Rc, 1.0-1.5mm deep

Stock Code	A Dim	Appr. Wt
DSCRL075L	75.0mm	0.45kg
DSCRL100L	100.0mm	0.51kg
DSCRL125L	125.0mm	0.57kg
DSCRL150L	150.0mm	0.62kg
DSCRL175L	175.0mm	0.68kg
DSCRL200L	200.0mm	0.74kg
DSCRL225L	225.0mm	0.80kg
DSCRL250L	250.0mm	0.86kg

DSCRL075L-250L Rough Locators

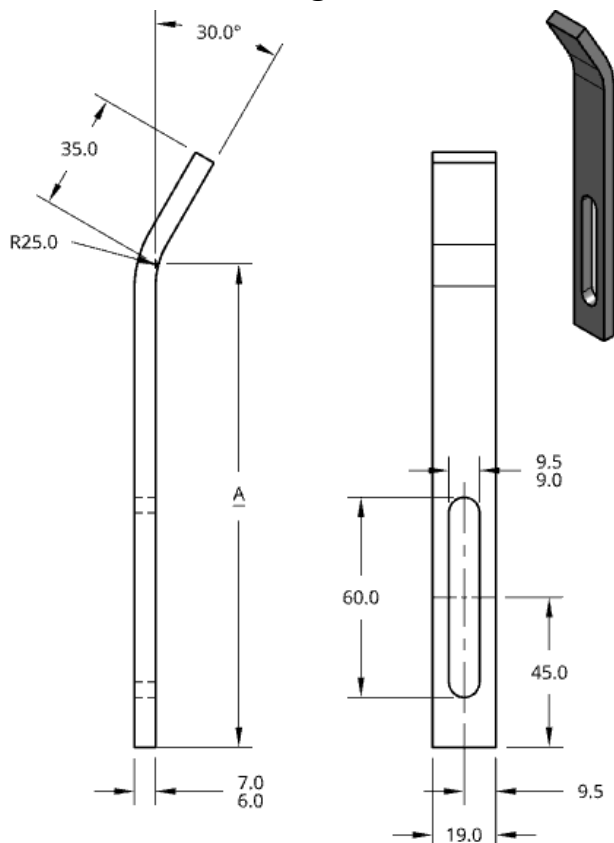


1010-1020 Steel, Black Oxide finish
 Suffix 'H' for carburize and harden 58-62Rc, 1.0-1.5mm deep

DSCRL075R-250R Rough Locators

Stock Code	A Dim	Appr. Wt
DSCRL075R	65.0mm	0.42kg
DSCRL100R	90.0mm	0.48kg
DSCRL125R	115.0mm	0.54kg
DSCRL150R	140.0mm	0.60kg
DSCRL175R	165.0mm	0.66kg
DSCRL200R	190.0mm	0.72kg
DSCRL225R	215.0mm	0.78kg
DSCRL250R	240.0mm	0.84kg

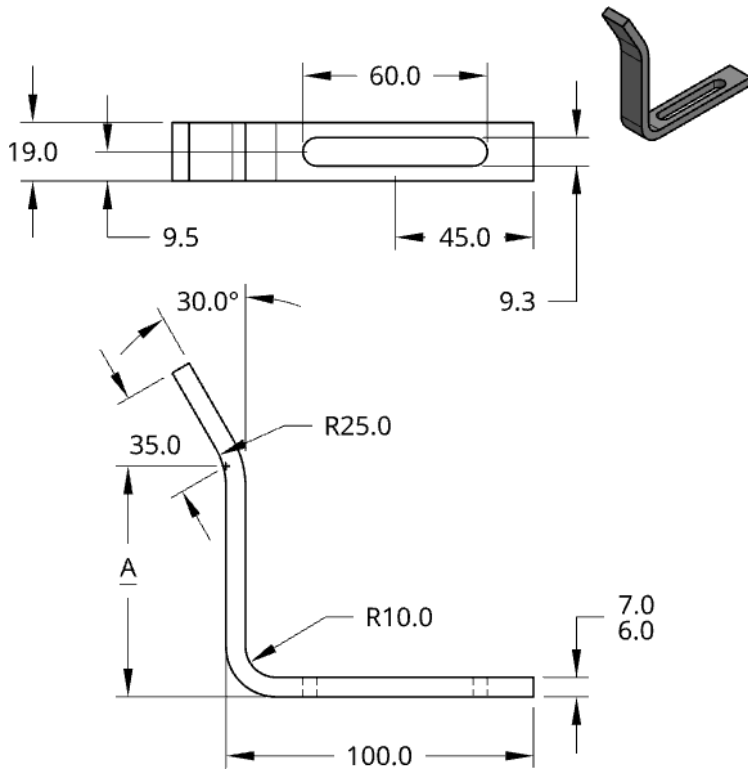
1010-1020 Steel, Black Oxide finish
 Suffix 'H' for carburize and harden 58-62Rc, 1.0-1.5mm deep

DSCRL146-321 Rough Locators

Stock Code	A Dim	Appr. Wt
DSCRL146	145.0mm	0.14kg
DSCRL171	170.0mm	0.16kg
DSCRL196	195.0mm	0.18kg
DSCRL221	220.0mm	0.20kg
DSCRL246	245.0mm	0.23kg
DSCRL271	270.0mm	0.25kg
DSCRL299	295.0mm	0.27kg
DSCRL321	320.0mm	0.29kg

1010-1020 Steel, Black Oxide finish
 Suffix 'H' for carburize and harden 58-62Rc, 1.0-1.5mm deep

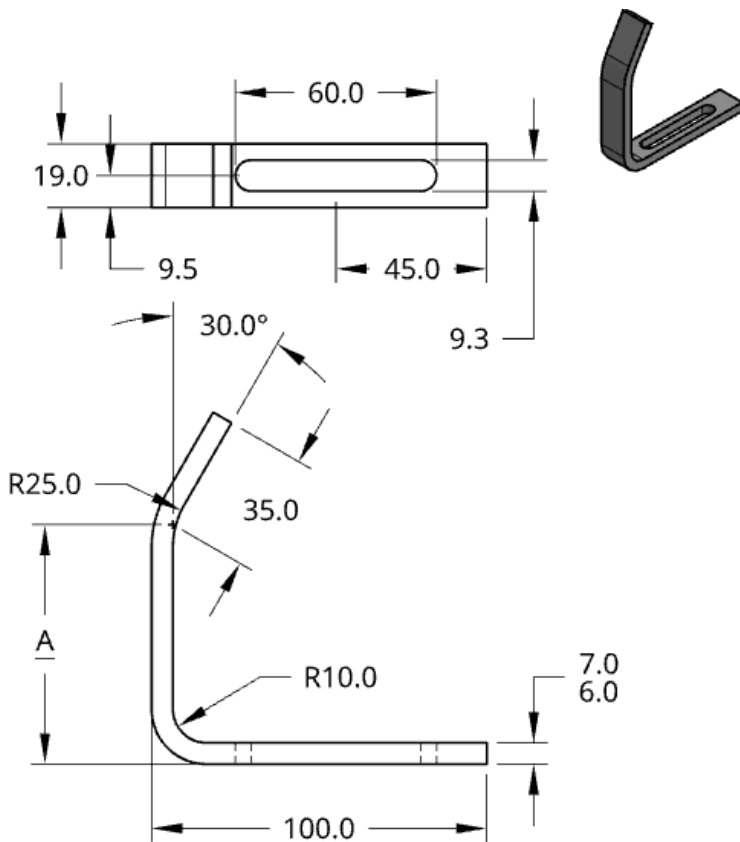
DSCRL076L-251L Rough Locators



Stock Code	A Dim	Appr. Wt
DSCRL076L	75.0mm	0.17kg
DSCRL101L	100.0mm	0.19kg
DSCRL126L	125.0mm	0.21kg
DSCRL151L	150.0mm	0.23kg
DSCRL176L	175.0mm	0.26kg
DSCRL201L	200.0mm	0.28kg
DSCRL226L	225.0mm	0.30kg
DSCRL251L	250.0mm	0.32kg

1010-1020 Steel, Black Oxide finish
 Suffix 'H' for carburize and harden 58-62Rc, 1.0-1.5mm deep

DSCRL076R-251R Rough Locators



Stock Code	A Dim	Appr. Wt
DSCRL076R	65.0mm	0.16kg
DSCRL101R	90.0mm	0.18kg
DSCRL126R	115.0mm	0.20kg
DSCRL151R	140.0mm	0.22kg
DSCRL176R	165.0mm	0.24kg
DSCRL201R	190.0mm	0.27kg
DSCRL226R	215.0mm	0.29kg
DSCRL251R	240.0mm	0.31kg

1010-1020 Steel, Black Oxide finish
 Suffix 'H' for carburize and harden 58-62Rc, 1.0-1.5mm deep

Master Index

DSCB001	123
DSCB002	123
DSCB003	123
DSCB004	123
DSCB005	123
DSCB006	123
DSCD001	124
DSCD002	124
DSCD003	124
DSCD004	124
DSCD005	124
DSCD006	124
DSCD007	124
DSCD008	124
DSCD009	124
DSCD010	124
DSCD011	124
DSCD012	124
DSCD013	124
DSCD014	124
DSCD015	124
DSCD016	124
DSCD017	124
DSCD018	124
DSCD101	124
DSCD102	124
DSCD103	124
DSCD104	125
DSCD105	125
DSCD106	125
DSCD107	125
DSCD108	125
DSCD109	125
DSCD110	125
DSCD111	125
DSCD112	125
DSCD113	125
DSCD114	125
DSCD115	125
DSCD116	125
DSCH001	4
DSCH002	4
DSCH003	5
DSCH004	5

DSCH005	6
DSCH006	6
DSCH007	7
DSCH008	7
DSCH009	8
DSCH010	8
DSCH011	9
DSCH012	9
DSCH013	10
DSCH014	10
DSCH015	11
DSCH016	11
DSCH017	12
DSCH018	12
DSCH019	13
DSCH020	13
DSCH021	14
DSCH022	14
DSCH023	15
DSCH024	15
DSCH025	16
DSCH026	16
DSCH027	17
DSCH028	17
DSCH029	18
DSCH030	18
DSCH031	19
DSCH032	19
DSCH033	20
DSCH034	20
DSCH035	21
DSCH036	21
DSCH037	22
DSCH038	22
DSCH039	23
DSCH040	23
DSCH041	24
DSCH042	24
DSCH043	25
DSCH044	25
DSCH045	26
DSCH046	26
DSCH047	27
DSCH048	27

DSCH049	28
DSCH050	28
DSCH051	29
DSCH052	29
DSCH053	30
DSCH054	30
DSCH055	31
DSCH056	31
DSCH057	32
DSCH058	32
DSCH059	33
DSCH060	33
DSCH061	34
DSCH062	34
DSCH063	35
DSCH064	35
DSCH065	36
DSCH066	36
DSCH067	37
DSCH068	37
DSCH069	38
DSCH070	38
DSCH071	39
DSCH072	39
DSCH073	40
DSCH074	40
DSCH075	41
DSCH076	41
DSCH077	42
DSCH078	42
DSCH079	43
DSCH080	43
DSCH081	44
DSCH082	44
DSCH083	45
DSCH084	45
DSCH085	46
DSCH086	46
DSCH087	47
DSCH088	47
DSCH089	48
DSCH090	48
DSCH091	49
DSCH092	49

DSCH093	50
DSCH094	50
DSCH095	51
DSCH096	51
DSCH097	52
DSCH098	52
DSCH099	53
DSCH100	53
DSCH101	54
DSCH102	54
DSCH103	55
DSCH104	55
DSCH105	56
DSCH106	56
DSCH107	57
DSCH108	57
DSCH109	58
DSCH110	58
DSCH111	59
DSCH112	59
DSCH113	60
DSCH114	60
DSCH115	61
DSCH116	61
DSCH117	62
DSCH118	62
DSCH119	63
DSCH120	63
DSCH121	64
DSCH122	64
DSCH123	65
DSCH124	65
DSCH125	66
DSCH126	66
DSCH127	67
DSCH128	67
DSCH129	68
DSCH130	68
DSCH131	69
DSCH132	69
DSCH133	70
DSCH134	70
DSCH135	71
DSCH136	71

Master Index

DSCH137	72
DSCH138	72
DSCH139	73
DSCH140	73
DSCH141	74
DSCH142	74
DSCH143	75
DSCH144	75
DSCH145	76
DSCP001	77
DSCP002	77
DSCP003	78
DSCP004	78
DSCP005	79
DSCP006	79
DSCP007	80
DSCP008	80
DSCP009	81
DSCP010	81
DSCP011	82
DSCP012	82
DSCP013	83
DSCP014	83
DSCP015	84
DSCP016	84
DSCP017	85
DSCP018	85
DSCP019	86
DSCP020	86
DSCP021	87
DSCP022	87
DSCP023	88
DSCP024	88
DSCP025	89
DSCP026	89
DSCP027	90
DSCP028	90
DSCP029	91
DSCP030	91
DSCP031	92
DSCP032	92
DSCP033	93
DSCP034	93
DSCP035	94

DSCP036	94
DSCP037	95
DSCP038	95
DSCP039	96
DSCP040	96
DSCP041	97
DSCP042	97
DSCP043	98
DSCP044	98
DSCP045	99
DSCP046	99
DSCP047	100
DSCP048	100
DSCP049	101
DSCP050	101
DSCP051	102
DSCP052	102
DSCP053	103
DSCP054	103
DSCP055	104
DSCP056	104
DSCP057	105
DSCP058	105
DSCP059	106
DSCP060	106
DSCP061	107
DSCP062	107
DSCP063	108
DSCP064	108
DSCP065	109
DSCP066	109
DSCP067	110
DSCP068	110
DSCP069	111
DSCP070	111
DSCP071	112
DSCP072	112
DSCP073	112
DSCP074	113
DSCP075	113
DSCP076	114
DSCP077	114
DSCP078	115
DSCP079	115

DSCP080	116
DSCP081	116
DSCP082	117
DSCP083	117
DSCP084	118
DSCP085	119
DSCP086	119
DSCP087	120
DSCP088	120
DSCP089	121
DSCP090	121
DSCP091	122
DSCP092	122
DSCP093	123
DSCP094	123
DSCP095	124
DSCRL075L	132
DSCRL075R	133
DSCRL076L	134
DSCRL076R	134
DSCRL100L	132
DSCRL100R	133
DSCRL101L	134
DSCRL101R	134
DSCRL125L	132
DSCRL125R	133
DSCRL126L	134
DSCRL126R	134
DSCRL145	132
DSCRL146	133
DSCRL150L	132
DSCRL150R	133
DSCRL151L	134
DSCRL151R	134
DSCRL170	132
DSCRL171	133
DSCRL175L	132
DSCRL175R	133
DSCRL176L	134
DSCRL176R	134
DSCRL195	132
DSCRL196	133
DSCRL200L	132
DSCRL200R	133

DSCRL201L	134
DSCRL201R	134
DSCRL220	132
DSCRL221	133
DSCRL225L	132
DSCRL225R	133
DSCRL226L	134
DSCRL226R	134
DSCRL245	132
DSCRL246	133
DSCRL250L	132
DSCRL250R	133
DSCRL251L	134
DSCRL251R	134
DSCRL270	133
DSCRL271	133
DSCRL298	132
DSCRL299	133
DSCRL320	132
DSCRL321	133
DSCW001	127
DSCW002	127
DSCW003	127
DSCW004	127
DSCW005	127
DSCW006	127
DSCW007	127
DSCW008	127
DSCW009	127
DSCW010	127
DSCW011	127
DSCW012	127
DSCW013	127
DSCW014	127
DSCW015	127
DSCW016	127
DSCW017	127
DSCW019	127
DSCW020	127
DSCW021	127
DSCW022	127
DSCW023	127
DSCW024	127
DSCW025	127

Master Index

DSCW026	127
DSCW027	127
DSCW028	127
DSCW029	127
DSCW030	127
DSCW031	127
DSCW032	127
DSCW033	127
DSCW034	127
DSCW035	127
DSCW036	127
DSCW037	127
DSCW038	127
DSCW039	127
DSCW040	127
DSCW041	127
DSCW042	127
DSCW043	127
DSCW044	127
DSCW045	127
DSCW046	127
DSCW047	127
DSCW048	128
DSCW049	128
DSCW050	128
DSCW051	128
DSCW052	128
DSCW053	128
DSCW054	128
DSCW055	128
DSCW056	128
DSCW057	128
DSCW058	128
DSCW059	128
DSCW060	128
DSCW061	128
DSCW062	128
DSCW063	128
DSCW064	128
DSCW065	128
DSCW066	128
DSCW067	128
DSCW068	128
DSCW069	128

DSCW070	128
DSCW071	128
DSCW072	128
DSCW073	128
DSCW074	128
DSCW075	128
DSCW076	128
DSCW077	128
DSCW078	128
DSCW079	128
DSCW080	128
DSCW081	128
DSCW082	128
DSCW083	128
DSCW084	128
DSCW085	128
DSCW086	128
DSCW087	128
DSCW088	128
DSCW089	128
DSCW090	128
DSCW091	128
DSCW092	128
DSCW093	129
DSCW094	129
DSCW095	129
DSCW096	129
DSCW097	129
DSCW098	129
DSCW099	129
DSCW100	129
DSCW101	129
DSCW102	129
DSCW103	129
DSCW104	129
DSCW105	129
DSCW106	129
DSCW107	129
DSCW108	129
DSCW109	129
DSCW110	129
DSCW111	129
DSCW112	129
DSCW113	129

DSCW114	129
DSCW115	129
DSCW116	129
DSCW117	129
DSCW118	129
DSCW119	129
DSCW120	129
DSCW121	129
DSCW122	129
DSCW123	129
DSCW124	129
DSCW125	129
DSCW126	129
DSCW127	129
DSCW128	129
DSCW129	129
DSCW130	129
DSCW131	129
DSCW132	129
DSCW133	129
DSCW134	129
DSCW135	129
DSCW136	129
DSCW137	129
DSCW138	129
DSCW301	130
DSCW302	130
DSCW303	130
DSCW304	130
DSCW305	130
DSCW306	130
DSCW307	130
DSCW308	130
DSCW309	130
DSCW310	130
DSCW501	131
DSCW502	131
DSCW503	131
DSCW504	131
DSCW505	131
DSCW506	131
DSCW507	131
DSCW508	131
DSCW509	131

DSCW510	131
DSCW511	131
DSCW512	131
DSCW513	131
DSCW514	131
DSCW515	131
DSCW516	131
DSCW517	131
DSCW518	131
DSCW519	131
DSCW520	131
DSCW521	131
DSCW601	131
DSCW602	131
DSCW603	131
DSCW604	131
DSCW701	130
DSCW702	130
DSCW703	130
DSCW704	130
DSCW705	130
DSCW706	130
DSCW707	130
DSCW708	130
DSCW709	130
DSCW710	130
DSCW711	130
DSCW712	130

**DOUGLAS STAMPING
COMPANY, INC.**

25531 Dequindre
Madison Heights, MI 48071

Phone: 248-542-3940
<http://dougstampco.com>
Email: sales@dougstampco.com

6 March 2025